

[54] HAND TOOL FOR LOOSENING OR TIGHTENING NUTS IN PLACE OF A SPANNER WRENCH

[76] Inventor: Roy J. Mefferd, 219 W. Myrtle St., Laurens, Iowa 50554

[\*\*] Term: 14 Years

[21] Appl. No.: 131,702

[22] Filed: Mar. 19, 1980

[51] Int. Cl. .... D8-05

[52] U.S. Cl. .... D8/14; D8/21

[58] Field of Search ..... D8/21, 14, 27; 29/275; 81/90 C, 463

[56] References Cited

U.S. PATENT DOCUMENTS

- 761,523 5/1904 Miller, Jr. .... 81/90 C
- 1,333,286 3/1920 Smith ..... 29/275

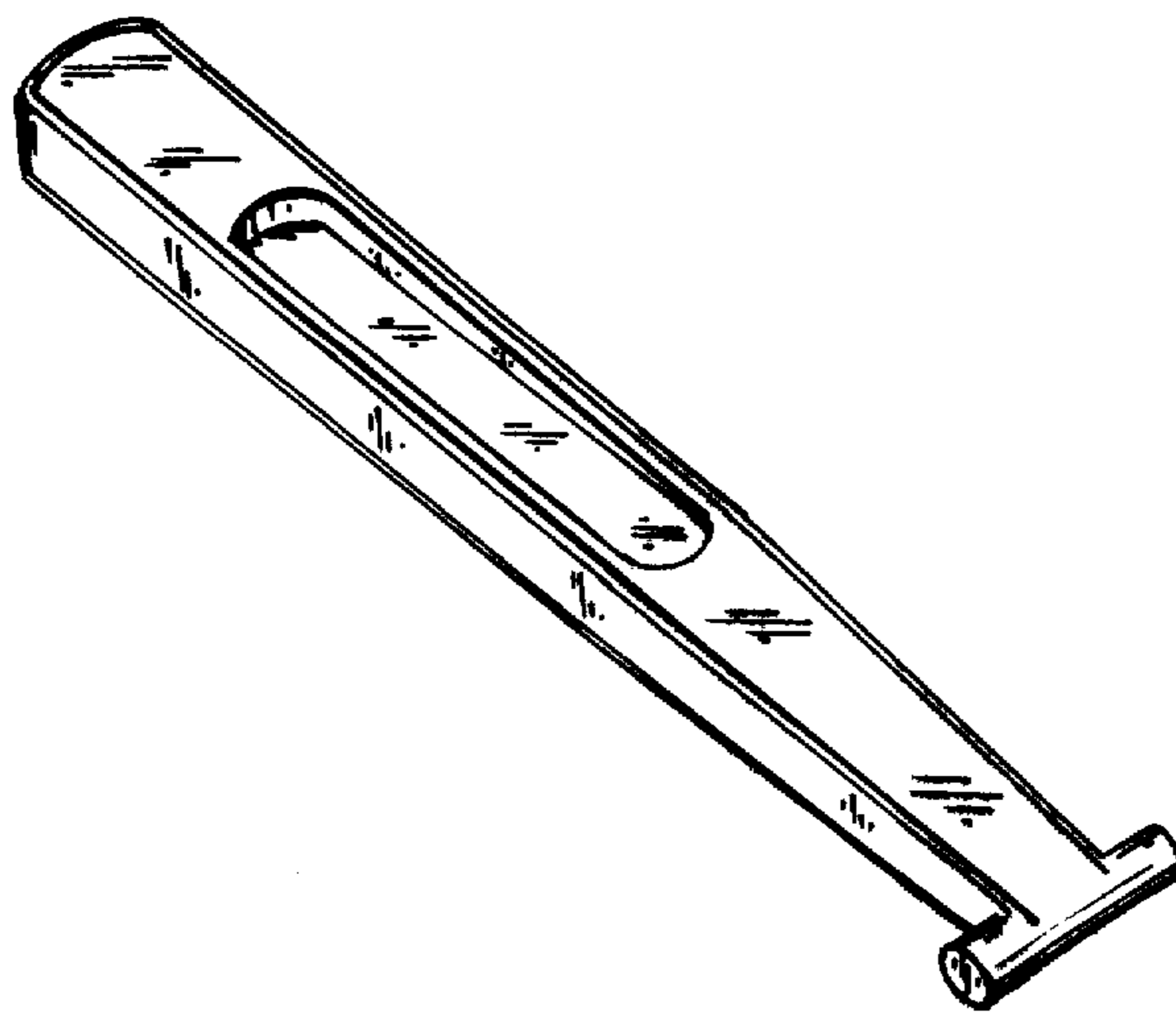
Primary Examiner—James M. Gandy  
Attorney, Agent, or Firm—Zarley, McKee, Thomte, Voorhees & Sease

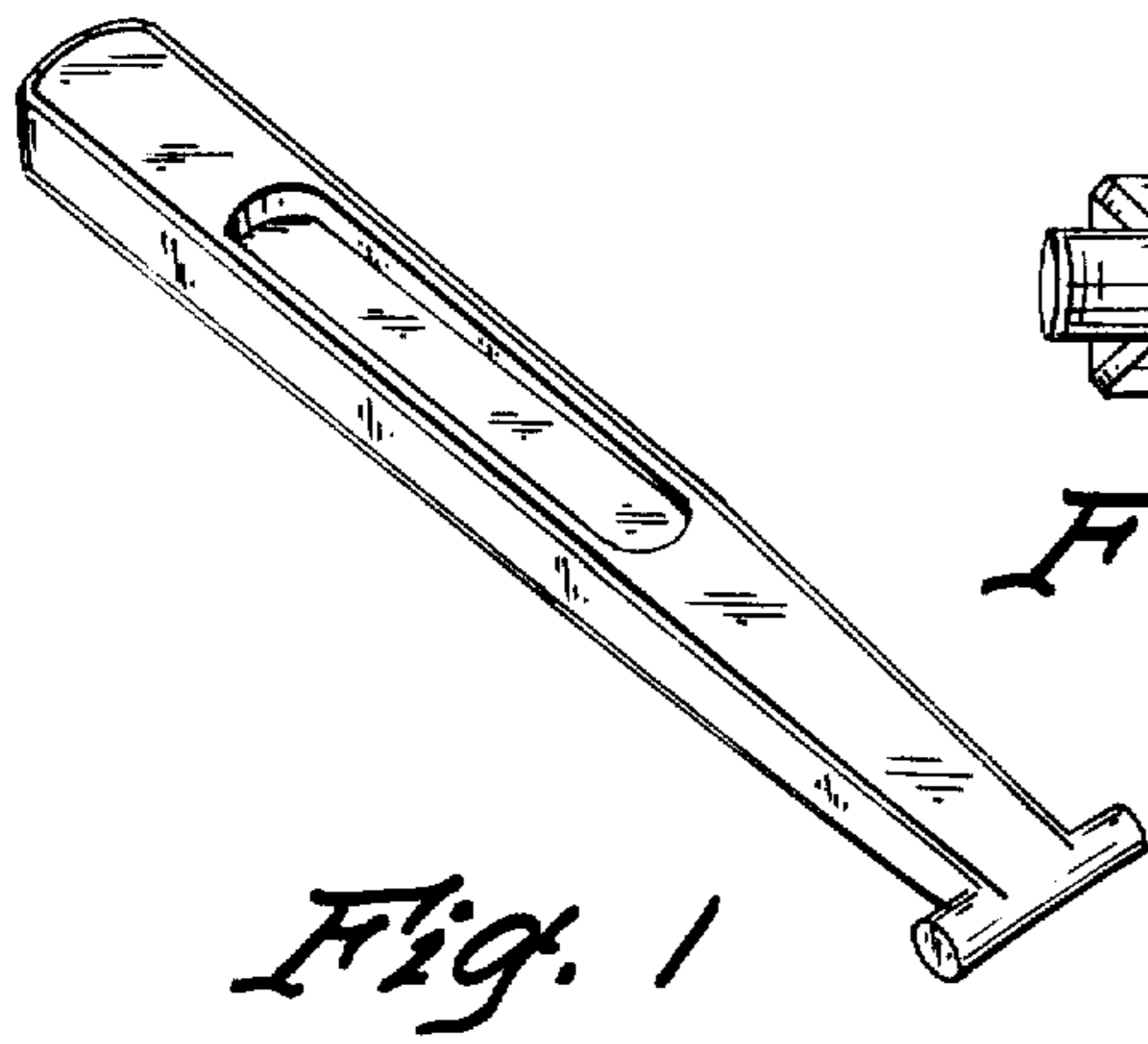
[57] CLAIM

The ornamental design for a hand tool for loosening or tightening nuts in place of a spanner wrench, substantially as shown and described.

DESCRIPTION

FIG. 1 is a perspective view of a hand tool for loosening or tightening nuts in place of a spanner wrench as viewed from the bottom showing my new design; FIG. 2 is an enlarged end elevational view thereof; FIG. 3 is an enlarged end elevational view thereof opposite to that shown in FIG. 2; FIG. 4 is an enlarged top plan view thereof; FIG. 5 is a front elevational view of FIG. 4; FIG. 6 is a fragmentary rear elevational view of FIG. 4 in inverted condition, it being understood that the remainder of the tool has been broken away for convenience of illustration; FIG. 7 is a fragmentary bottom perspective view of a hand tool for loosening or tightening nuts in place of a spanner wrench showing a second embodiment of my new design, the sole difference being that the end prongs are cubicle in shape, it being understood that the remaining undisclosed portions of said tool are identical to the first embodiment thereof; FIG. 8 is an end elevational view of the embodiment of FIG. 7 in inverted condition; FIG. 9 is a top plan view of the embodiment of FIG. 7 showing a greater portion thereof; FIG. 10 is a front elevational view of the embodiment of FIG. 7 in inverted condition showing a greater portion thereof; and FIG. 11 is a rear elevational view of the embodiment of FIG. 7 showing a greater portion thereof.

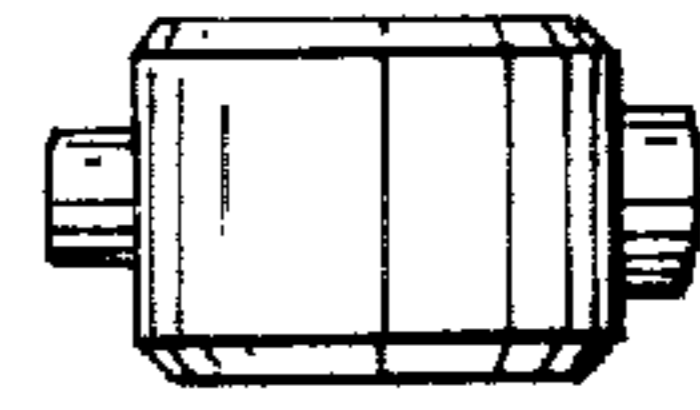




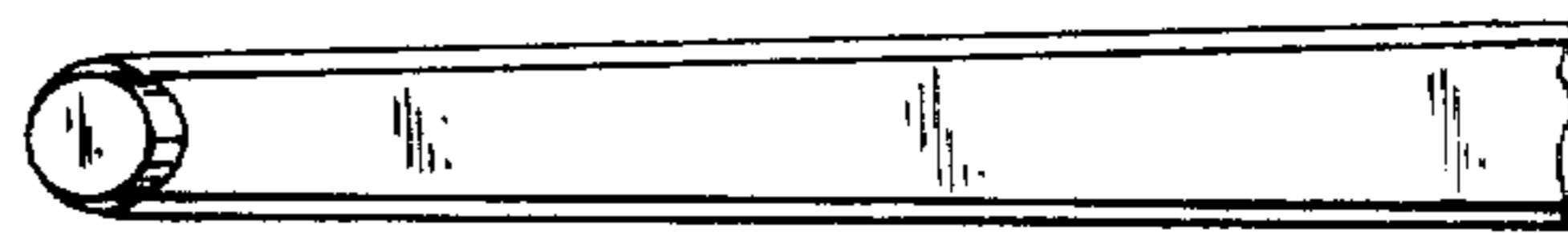
*Fig. 1*



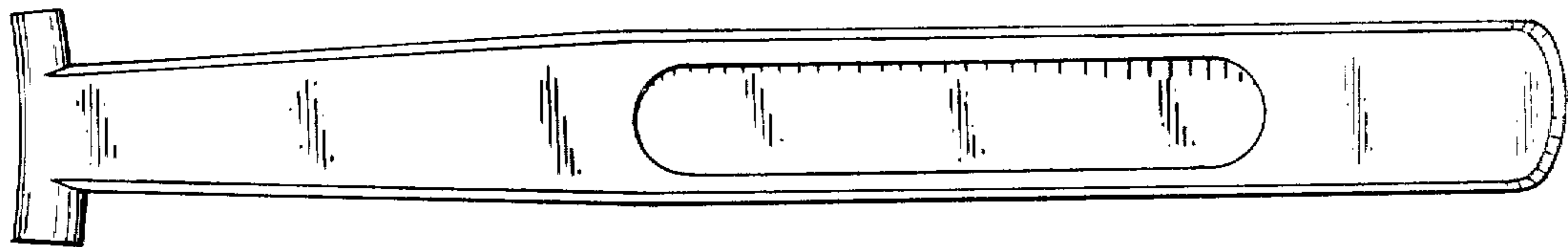
*Fig. 2*



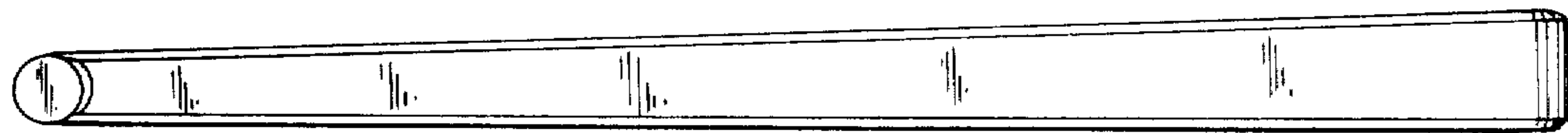
*Fig. 3*



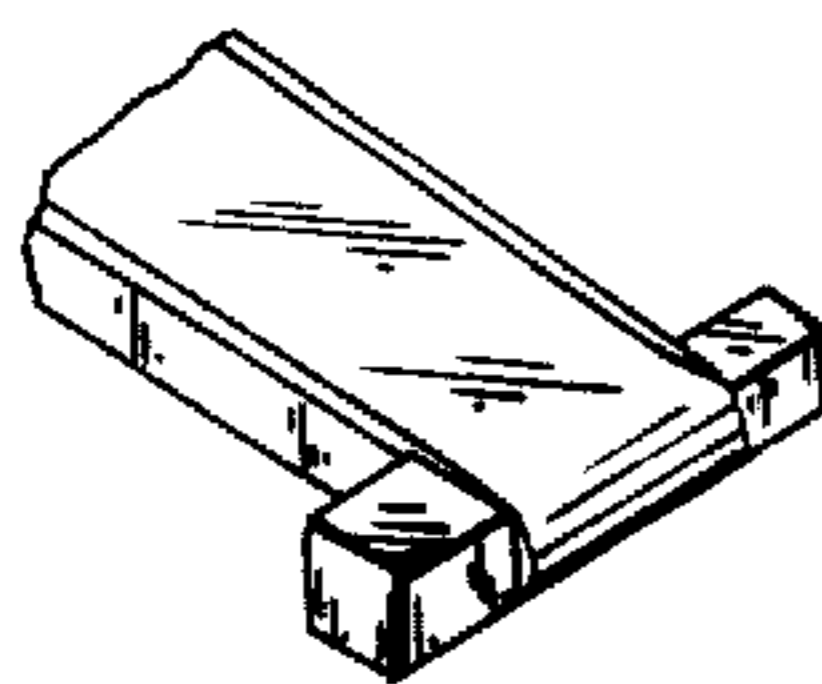
*Fig. 6*



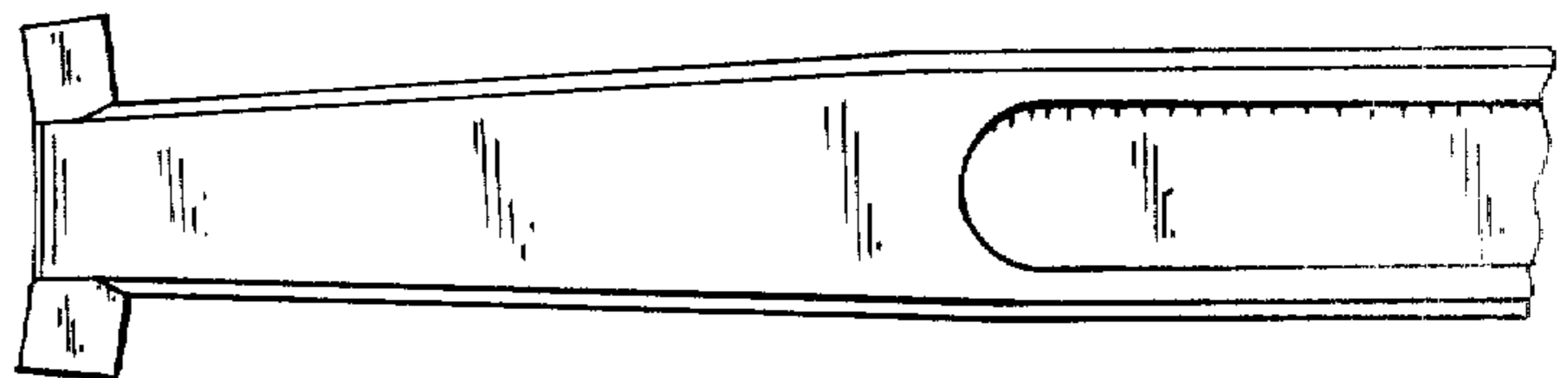
*Fig. 4*



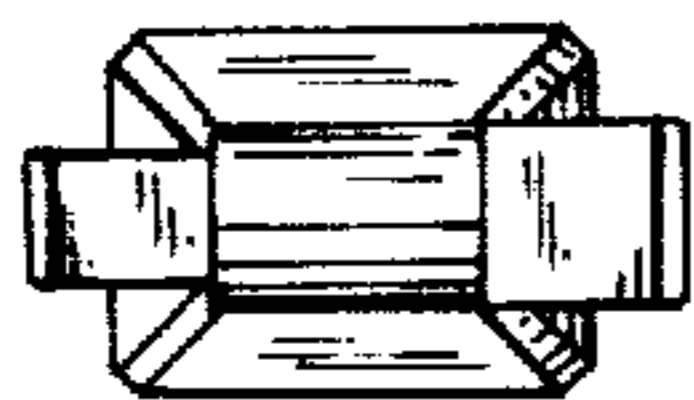
*Fig. 5*



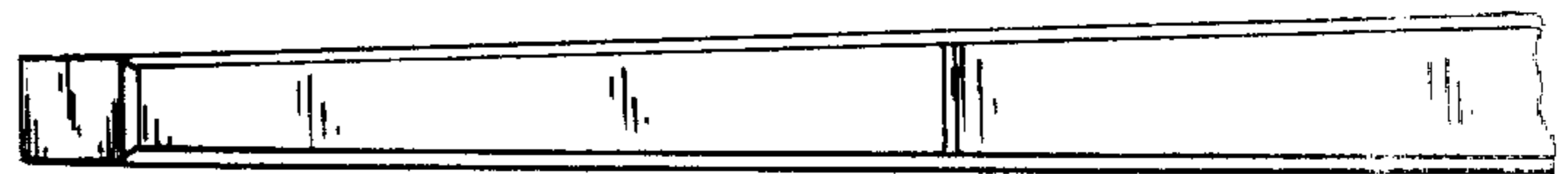
*Fig. 7*



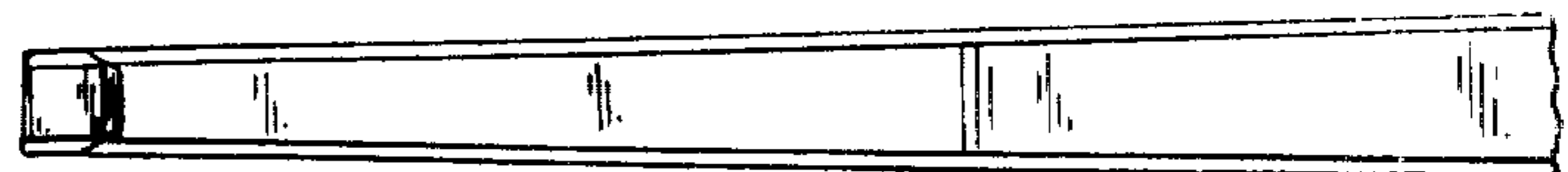
*Fig. 9*



*Fig. 8*



*Fig. 10*



*Fig. 11*