

[54] **DRAWER RUNNER**
[75] Inventors: **Leon G. Litchfield; Terence Hardy,**
both of Belper, England
[73] Assignee: **L.B. (Plastics) Limited, Derby,**
England
[**] Term: **14 Years**
[21] Appl. No.: **81,346**
[22] Filed: **Oct. 3, 1979**
[30] **Foreign Application Priority Data**
Apr. 21, 1979 [GB] United Kingdom 989481
[51] Int. Cl. **D6-06**
[52] U.S. Cl. **D6/191**
[58] Field of Search **D6/191; 312/330, 333,**
312/339, 350, 351

[56] **References Cited**
U.S. PATENT DOCUMENTS
D. 218,321 8/1970 Vander Ley D6/191

D. 240,585 7/1976 Kaplan D6/191
2,614,022 10/1952 Kurtzon 312/339
3,099,501 7/1963 Hillson et al. 312/341 R
3,664,716 5/1972 Johnson 312/339 X
3,701,577 10/1972 Fischer 312/339
3,995,927 12/1976 Stein 312/333
4,162,114 7/1979 Litchfield et al. 312/350 X

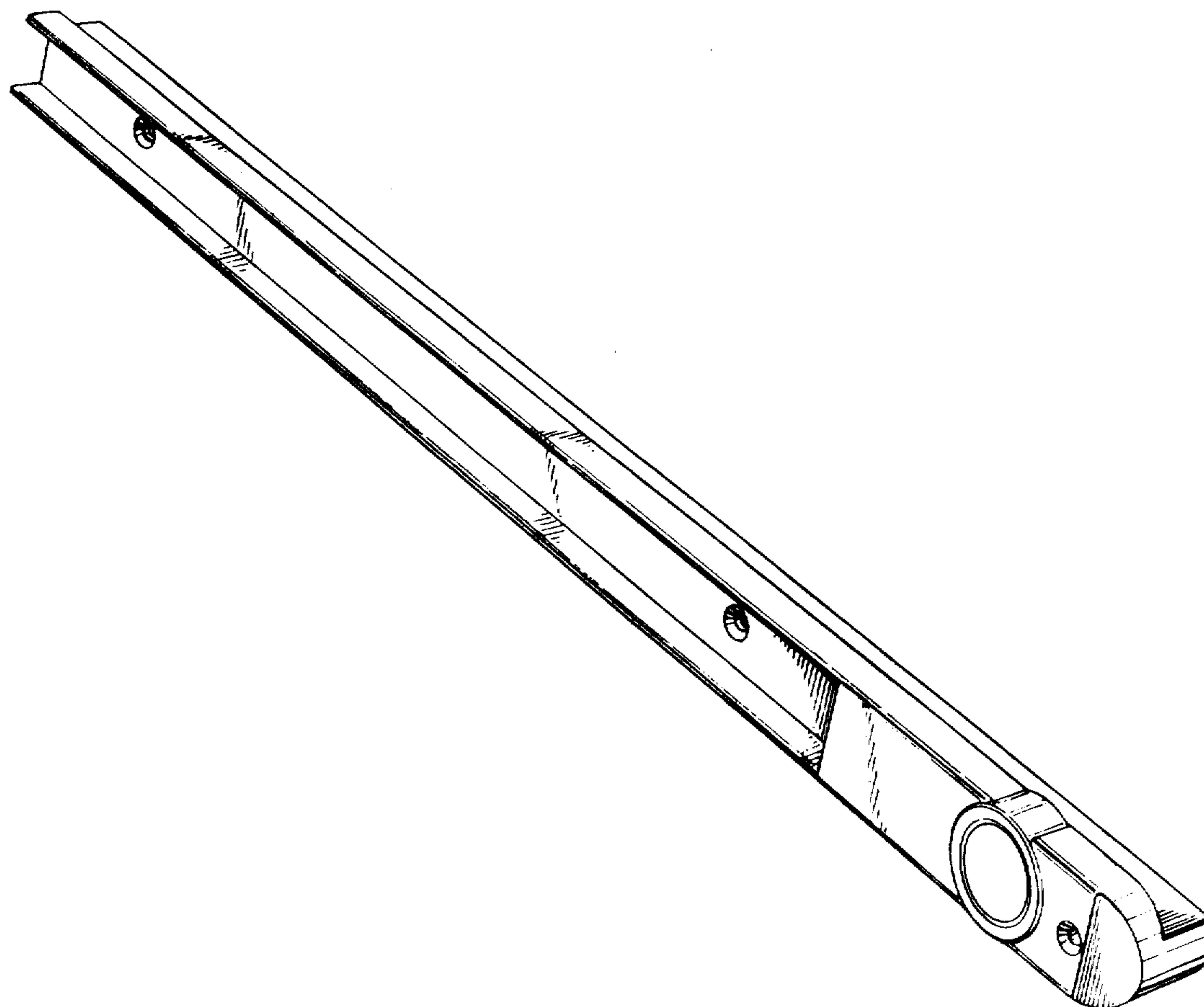
Primary Examiner—Bruce W. Dunkins
Attorney, Agent, or Firm—C. O. Marshall, Jr.

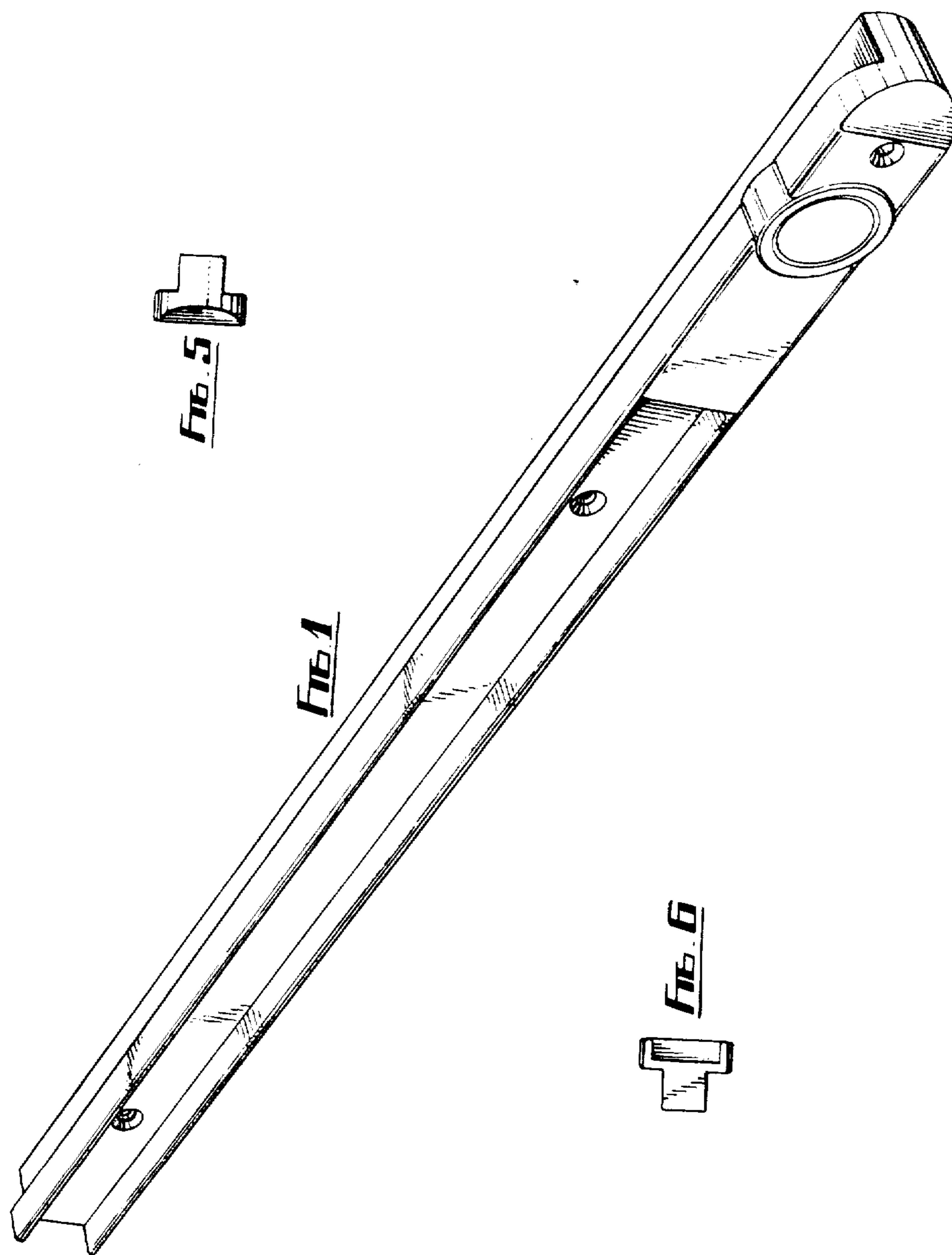
[57] **CLAIM**

The ornamental design for a drawer runner, as shown and described.

DESCRIPTION

FIG. 1 is a perspective view of the drawer runner from above and one side showing our design;
FIG. 2 is a perspective view of the drawer runner from above and the other side;
FIG. 3 is a side view of the runner;
FIG. 4 is a plan view of the runner;
FIG. 5 is a front view of the runner; and
FIG. 6 is a rear view of the runner.





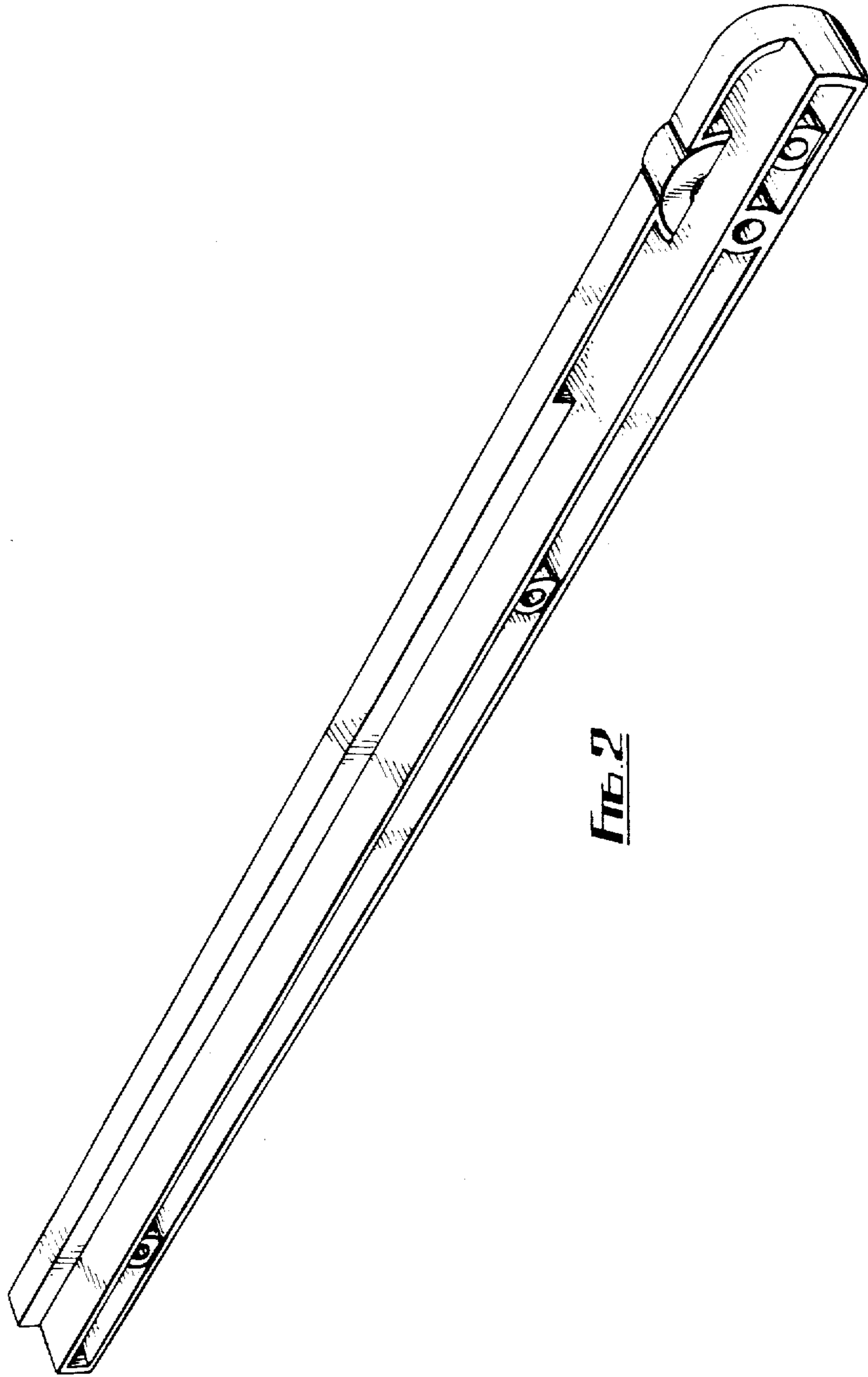


FIG. 2

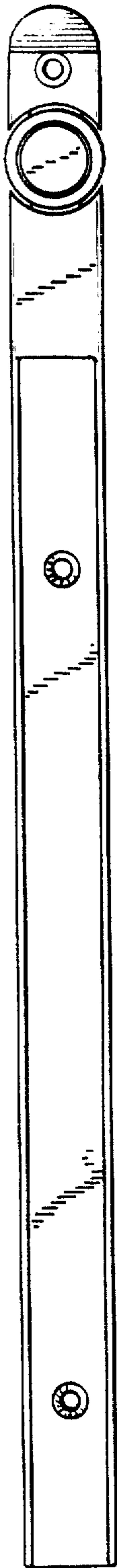


Fig. 3



Fig. 4