

[54] COMBINED STORAGE CHEST AND TABLE

[75] Inventor: Harvey N. Heather, Arcadia, Calif.

[73] Assignee: American Sheds, Inc., Azuza, Calif.

[**] Term: 14 Years

[21] Appl. No.: 97,390

[22] Filed: Nov. 26, 1979

[51] Int. Cl. D06-04

[52] U.S. Cl. D6/168

[58] Field of Search D6/167, 168, 156, 164, D6/181, 186, 169, 177, 178, 179; 312/DIG. 33, 242, 283, 290, 239, 241, 240; D25/30

[56] References Cited

U.S. PATENT DOCUMENTS

- D. 171,201 12/1953 Fisher D6/156
- D. 183,860 11/1958 Paulsen et al. D6/156
- D. 199,847 12/1964 Ulrich, Jr. et al. D6/156
- 2,709,634 5/1955 Blashfield 312/242

4,236,772 12/1980 Henson 312/244

Primary Examiner—Bruce W. Dunkins
Assistant Examiner—Carmen H. Vales
Attorney, Agent, or Firm—Charles H. Schwartz;
Ellsworth R. Roston

[57] CLAIM

The ornamental design for a combined storage chest and table, substantially as shown and described.

DESCRIPTION

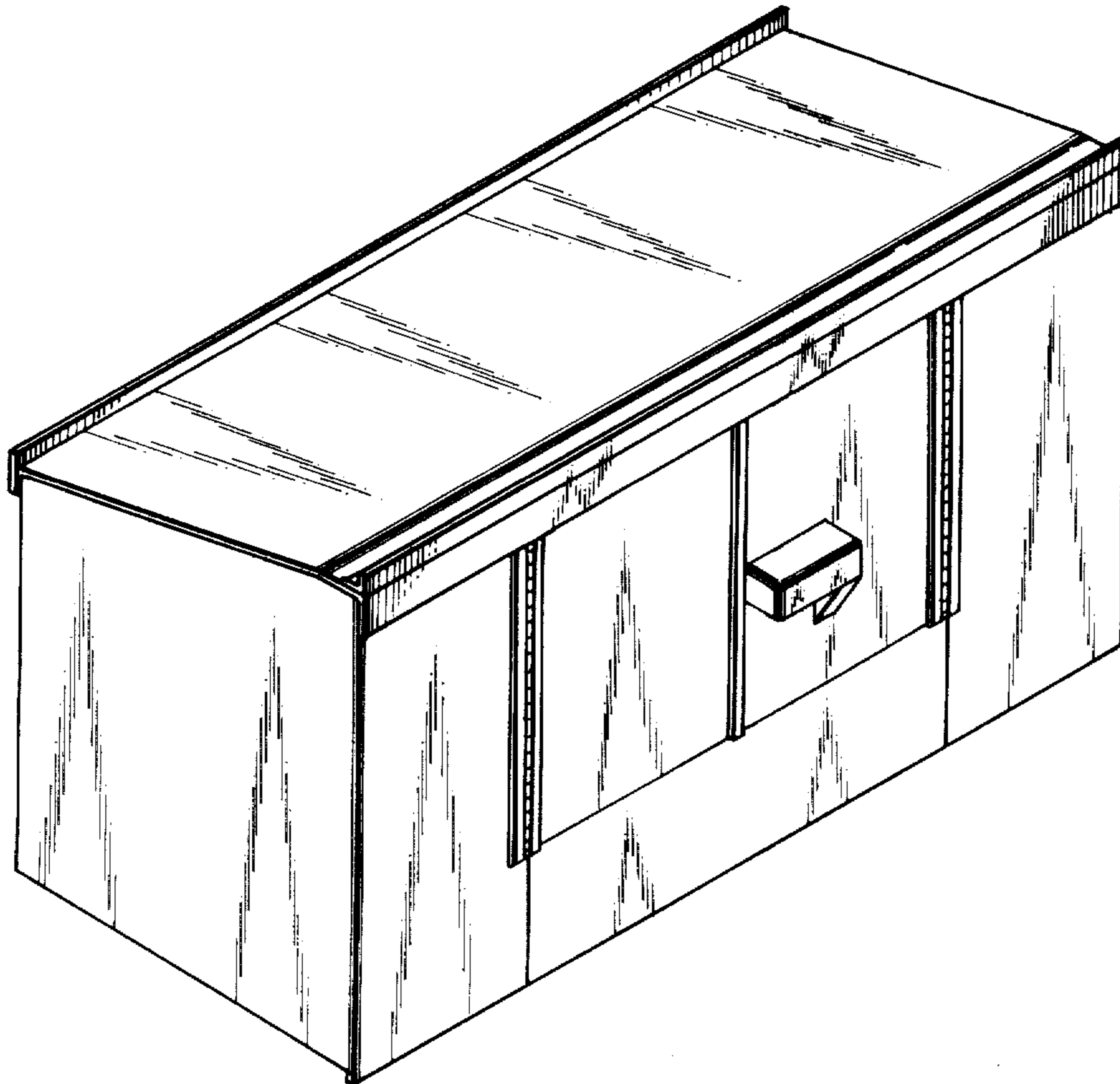
FIG. 1 is a right perspective view of a combined storage chest and table showing my new design, the broken line showing of a shed being for convenience of illustration;

FIG. 2 is an enlarged left perspective view thereof;

FIG. 3 is a right side elevational view thereof, the left side elevational view being substantially a mirror image thereof;

FIG. 4 is a bottom plan view thereof;

FIG. 5 is a rear elevational view thereof.



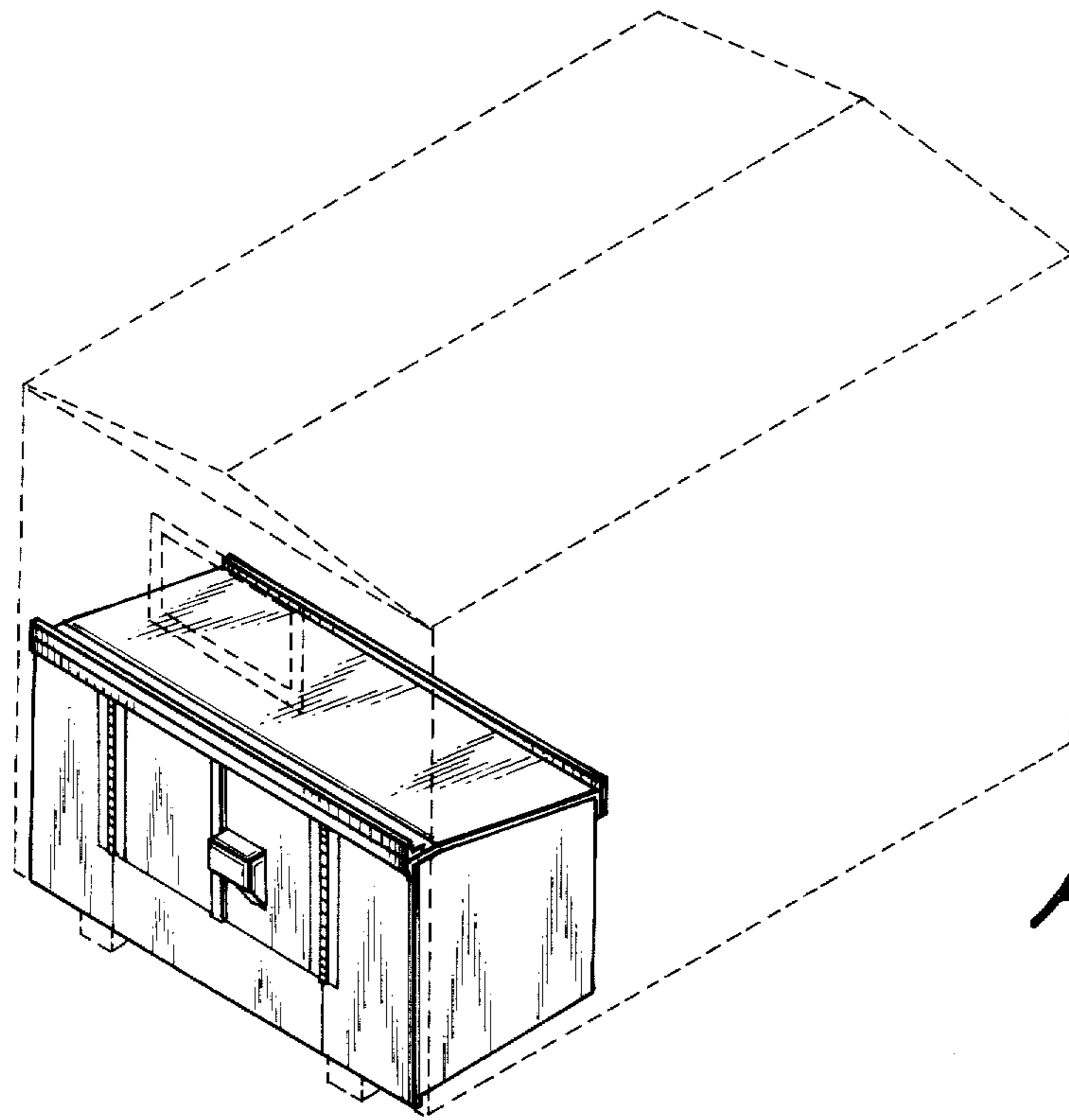


Fig. 1

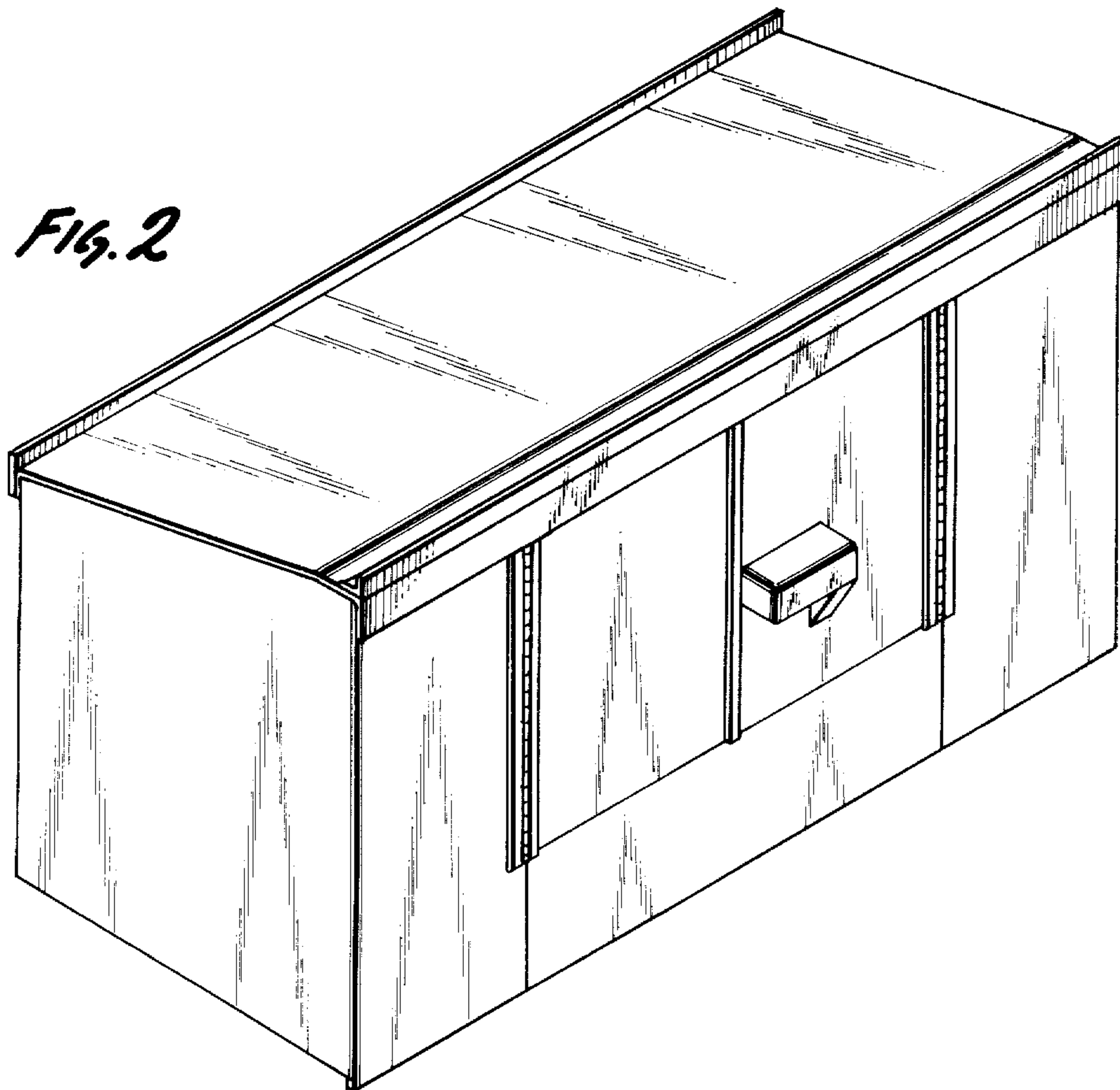


Fig. 2

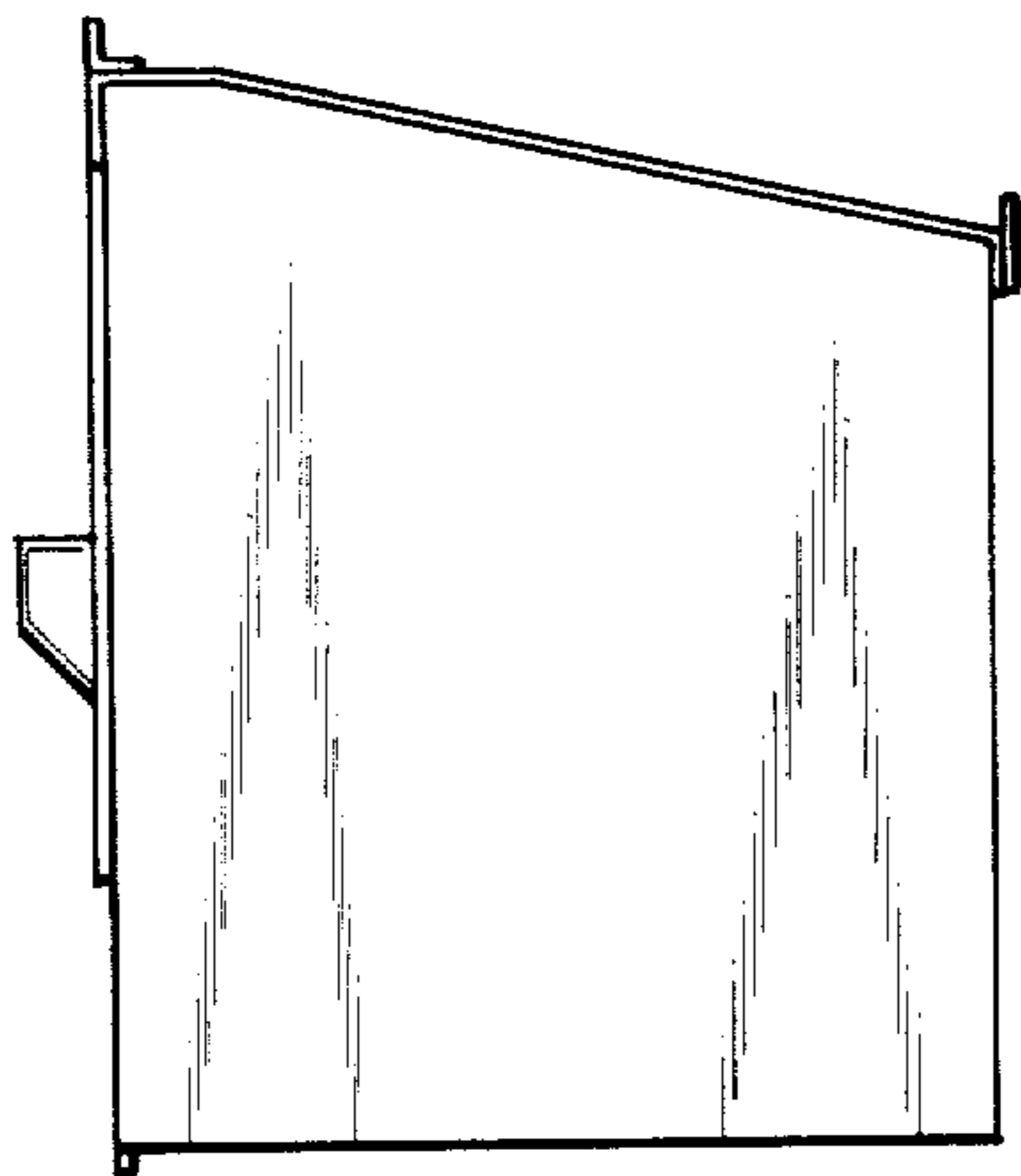


Fig. 3

Fig. 4

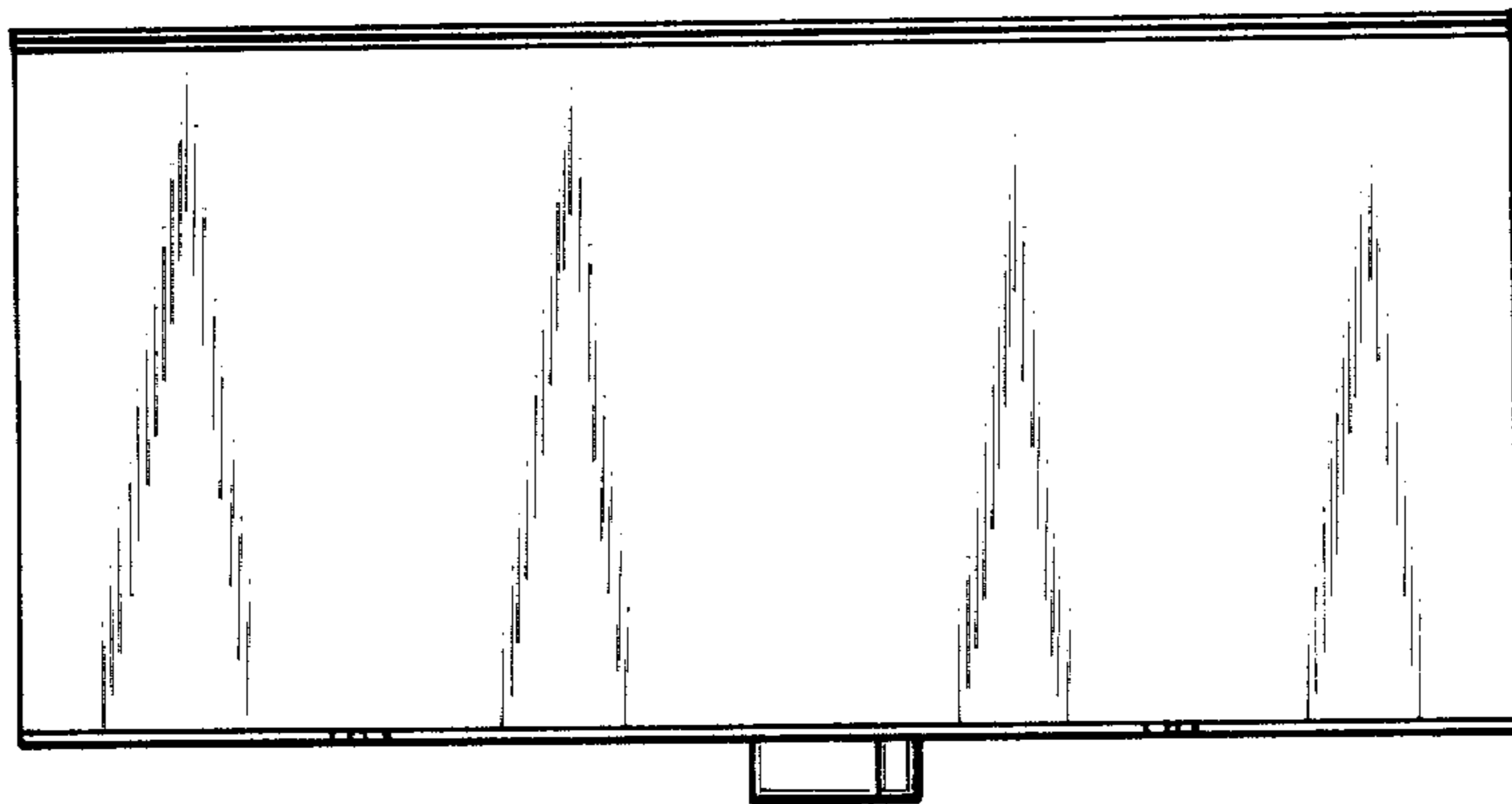


Fig. 5

