

[54] **WALL ELEMENT WITH A CURTAIN CLASP**

[76] **Inventor:** Bill P. Nedermann, Halalid 3,
Helsingborg, Sweden, S-252 33

[**] **Term:** 14 Years

[21] **Appl. No.:** 135,509

[22] **Filed:** Mar. 31, 1980

[30] **Foreign Application Priority Data**

Oct. 31, 1979 [SE] Sweden 79-2407

[51] **Int. Cl.** **D6-06**

[52] **U.S. Cl.** **D6/135**

[58] **Field of Search** D6/85, 114, 139;
211/105.2, 162, 180; 312/3-6; 52/27; 160/352

[56] **References Cited**

U.S. PATENT DOCUMENTS

D. 214,471 6/1969 Lavin et al. D6/139
895,538 8/1908 Burton 312/6

1,220,610 3/1917 Darby 312/5
1,407,912 2/1922 Bates 211/180
1,984,827 12/1934 Derman 211/180
3,018,857 1/1962 Parham 160/352
3,095,886 7/1963 Frommelt et al. 211/180

Primary Examiner—Peter M. Caun
Attorney, Agent, or Firm—John J. Dennemeyer

[57] **CLAIM**

The ornamental design of a wall element with a curtain clasp, as shown and described.

DESCRIPTION

FIG. 1 is perspective view of the wall element with a curtain clasp,
FIG. 2 is a plan view of the front side of the wall element of FIG. 1,
FIG. 3 is a side view of the wall element of FIG. 1 seen from the left side,
FIG. 4 is a top view of the wall element of FIG. 1,
FIG. 5 is a bottom view of the wall element of FIG. 1.

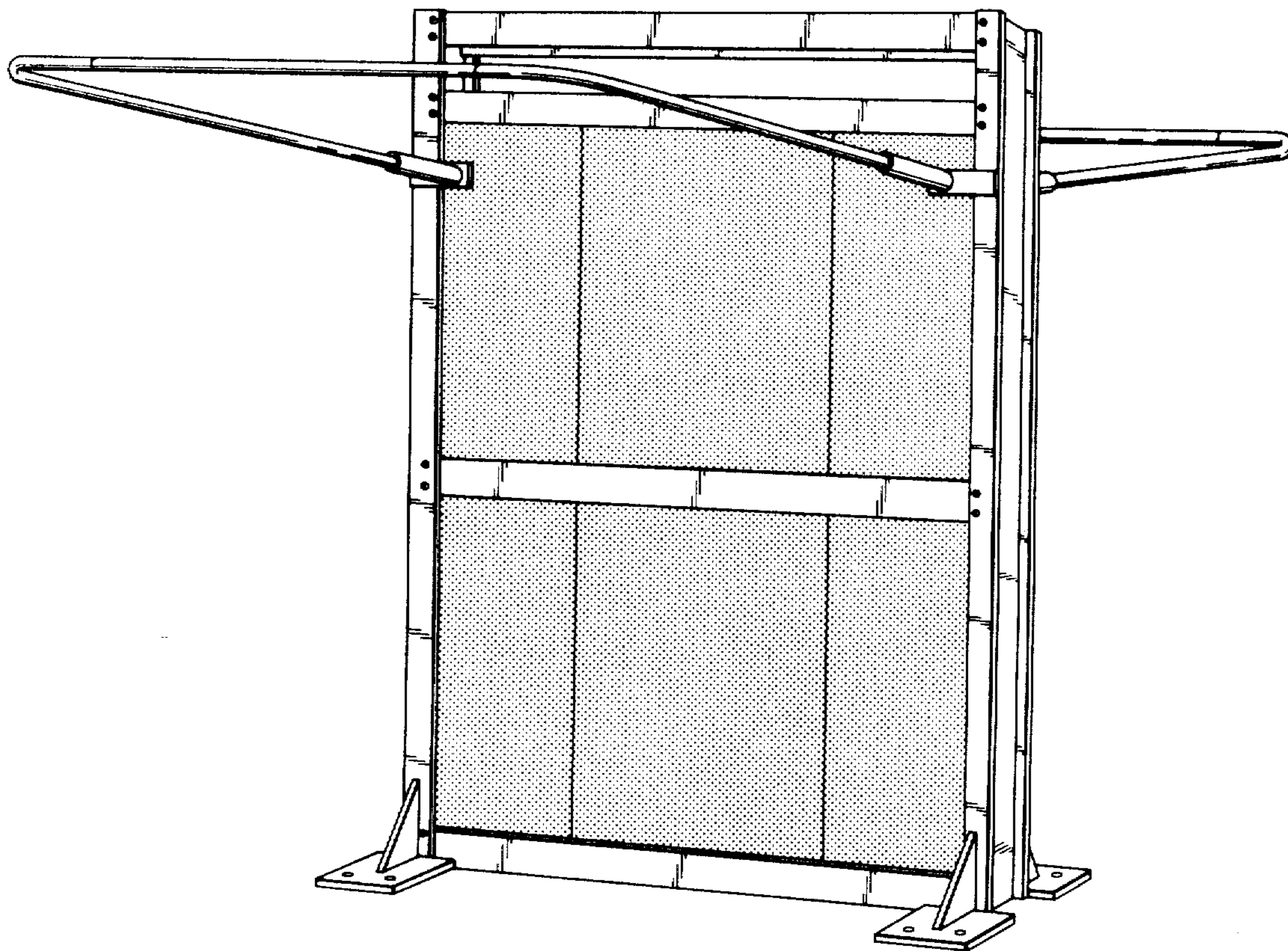
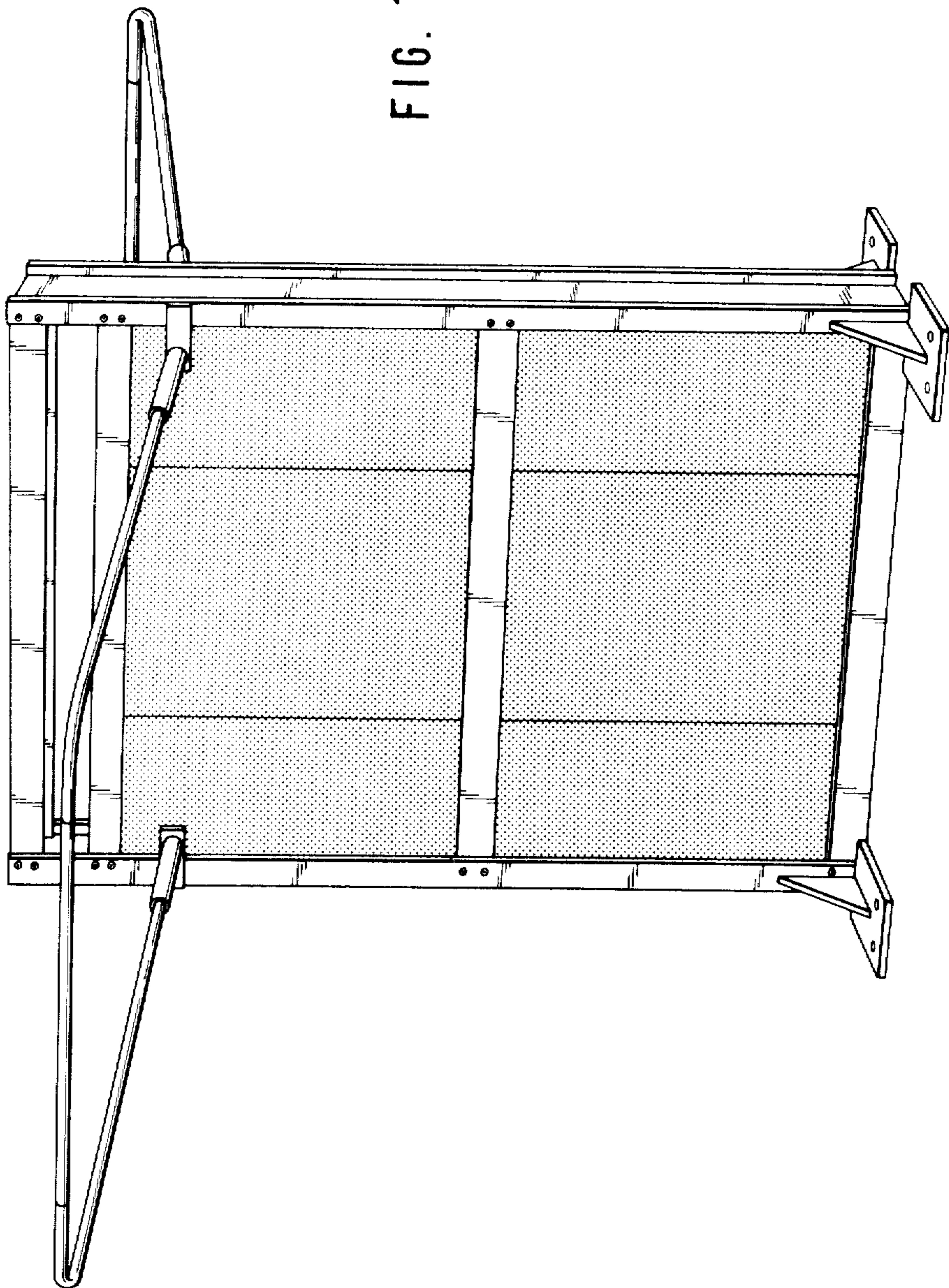
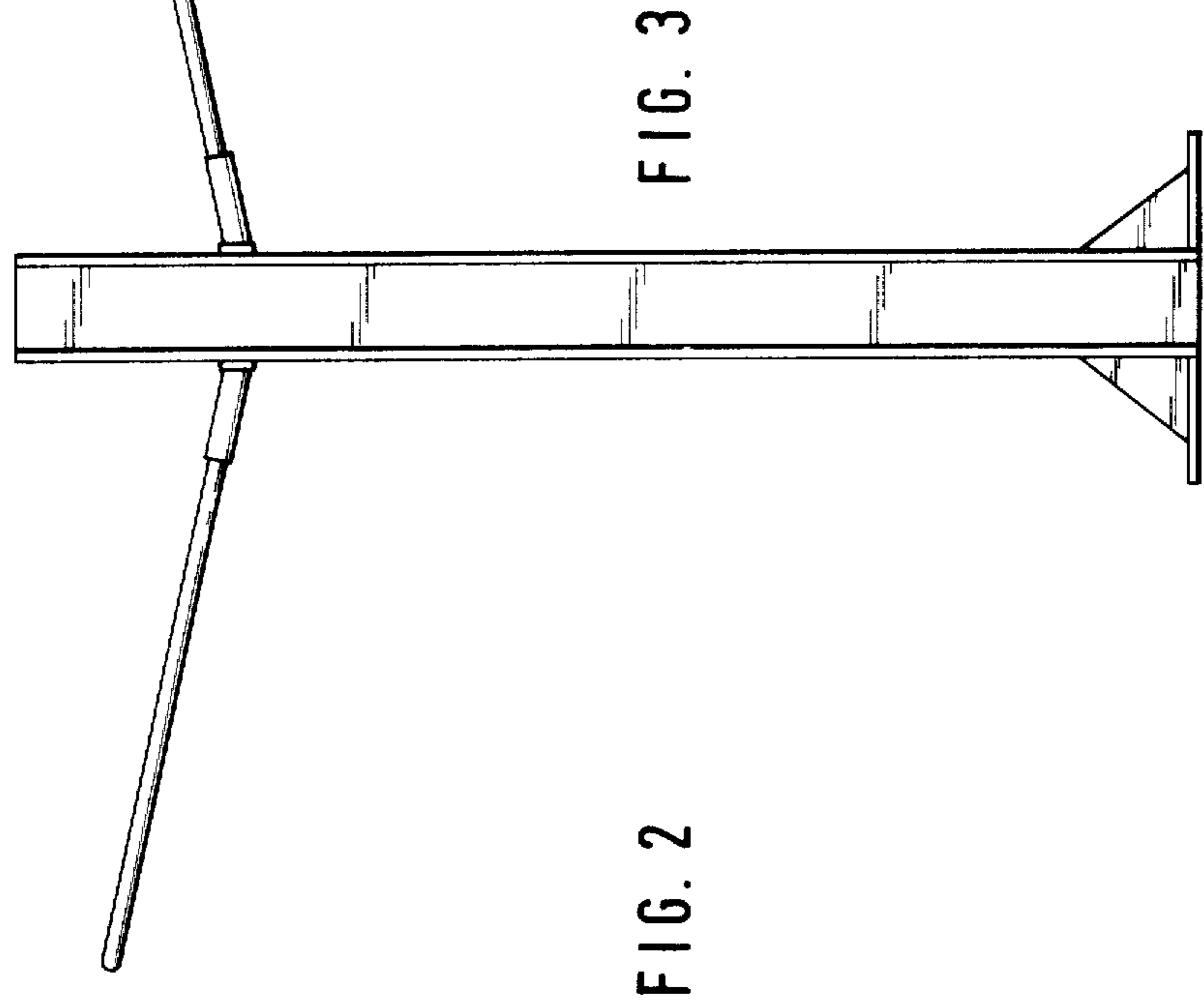
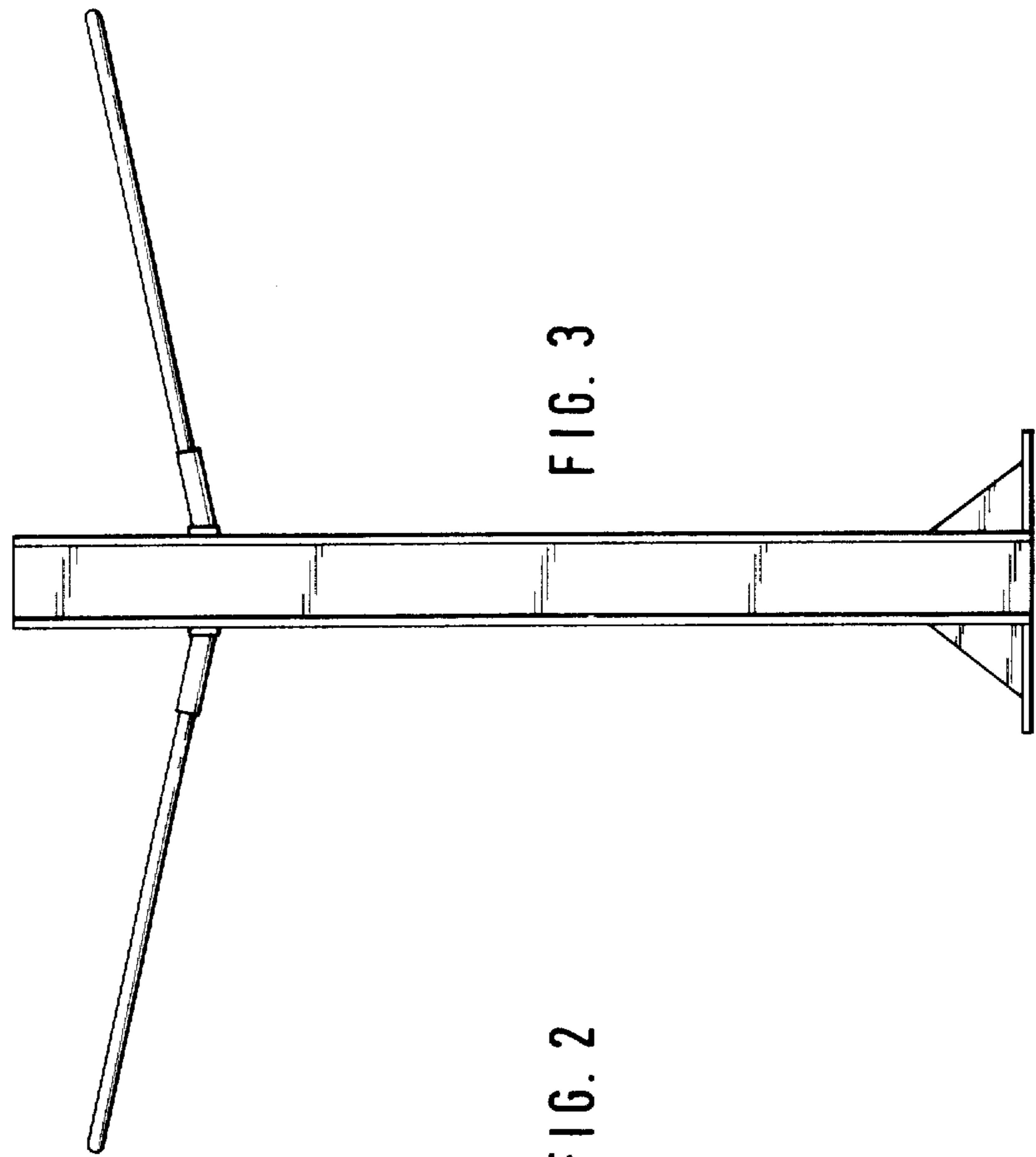


FIG. 1





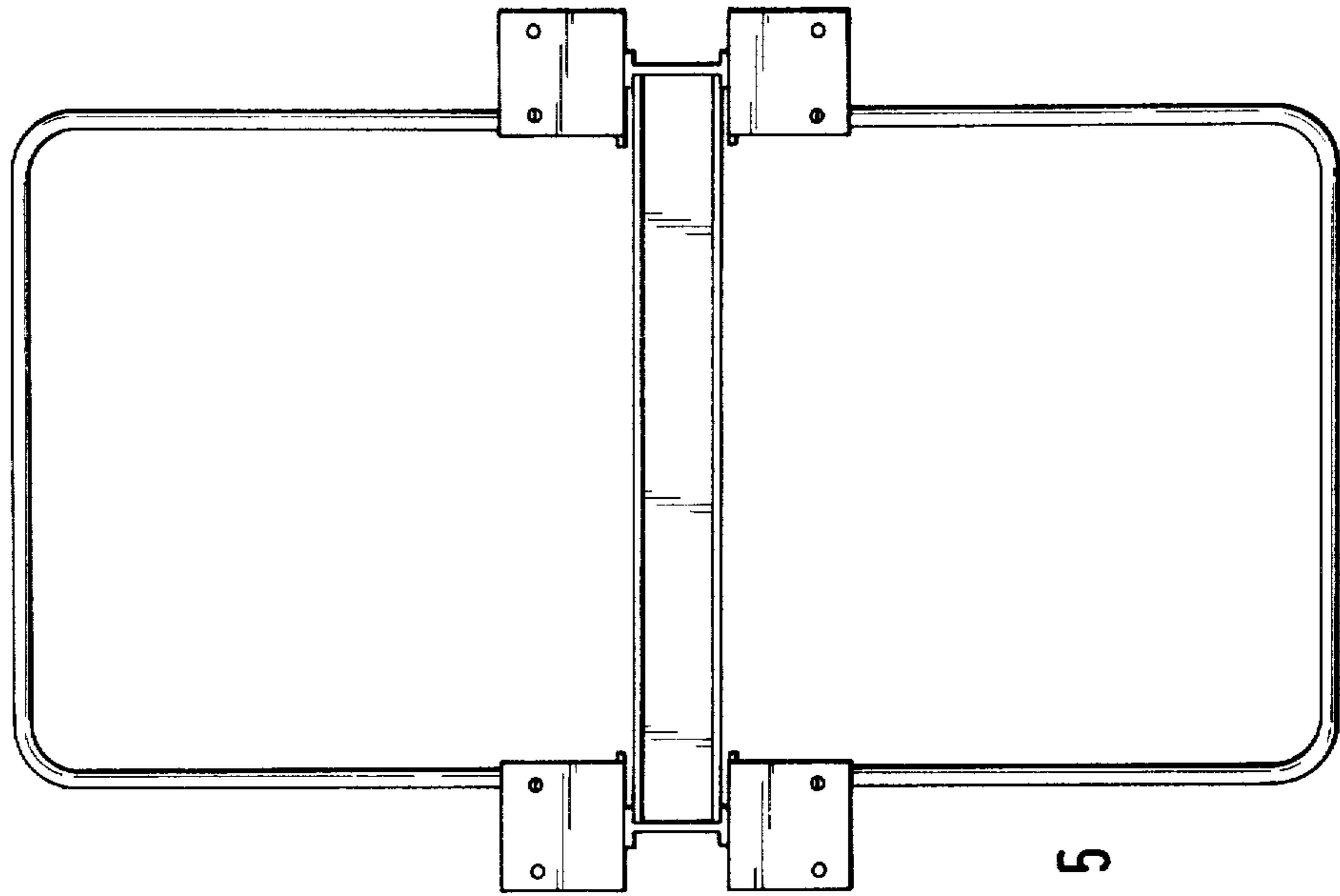


FIG. 5

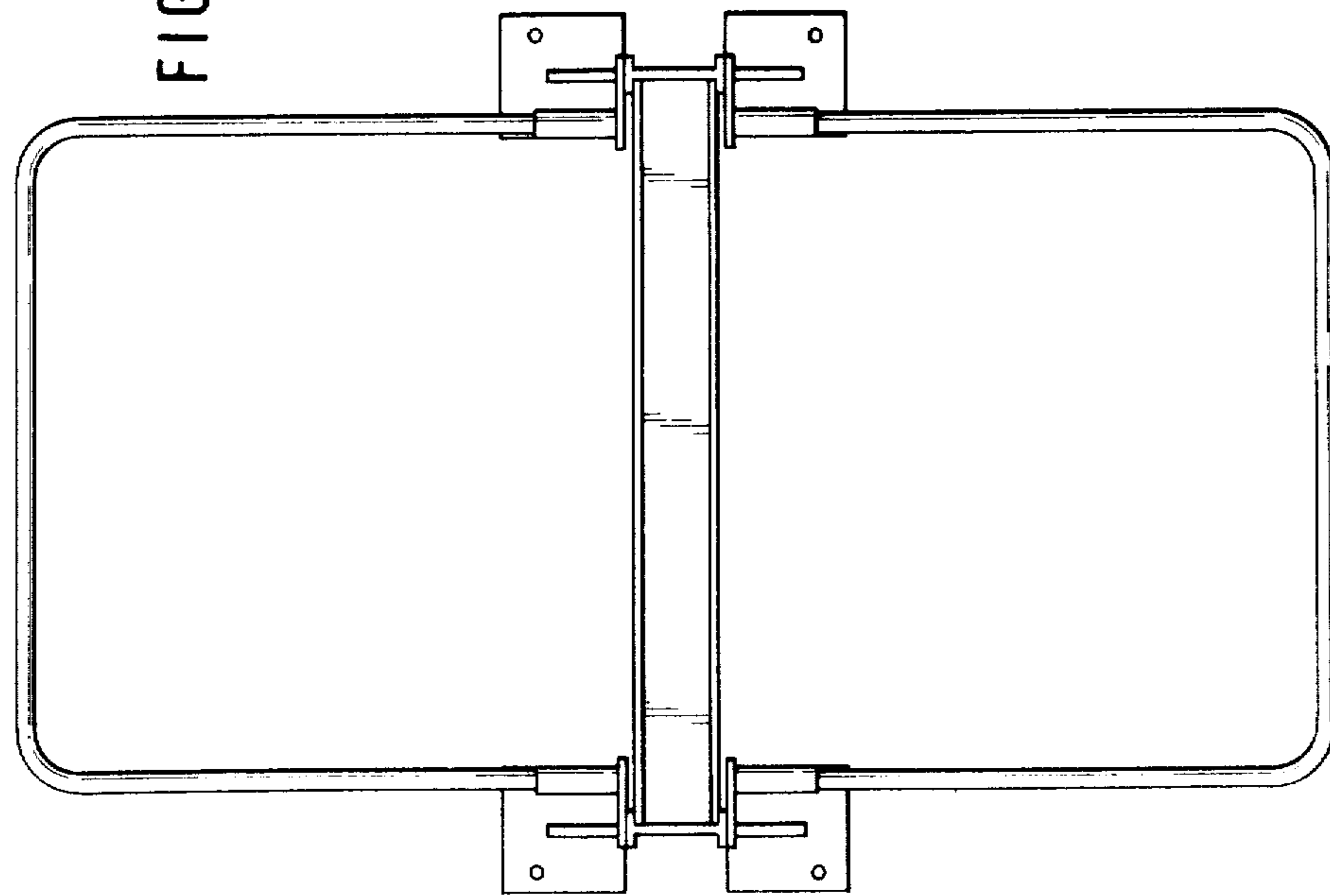


FIG. 4