

[54] **WALL MOUNTED PLANTER**
[76] **Inventor: Tony Robert, 5701 Southwest Freeway, Houston, Tex. 77057**
[**] **Term: 14 Years**
[21] **Appl. No.: 136,065**
[22] **Filed: Mar. 31, 1980**
[51] **Int. Cl. D6—06; D11—02**
[52] **U.S. Cl. D6/130; D6/137; D11/143**
[58] **Field of Search D6/130, 114, 137, 182, D6/183; D11/143, 145, 149, 151-154; 47/66, 67, 69, 79, 86, 39, 40; 211/87, 88; D30/6-10**
[56] **References Cited**
U.S. PATENT DOCUMENTS
D. 239,458 4/1976 Wagschal 47/66

D. 243,113 1/1977 Hirsch D6/113
D. 244,553 5/1977 Robert D30/7
D. 251,237 3/1979 Lutzker D11/151

OTHER PUBLICATIONS

House & Garden; 4/1974, p. 173, "Posh Pot", lucite planter, curved tall planter.

Primary Examiner—B. J. Bullock

[57] **CLAIM**

The ornamental design for a wall mounted planter, as shown and described.

DESCRIPTION

FIG. 1 is a perspective view of a wall mounted planter showing my new design;
FIG. 2 is a top plan view;
FIG. 3 is a side elevational view taken from the right of FIG. 1;
FIG. 4 is a rear elevational view thereof.

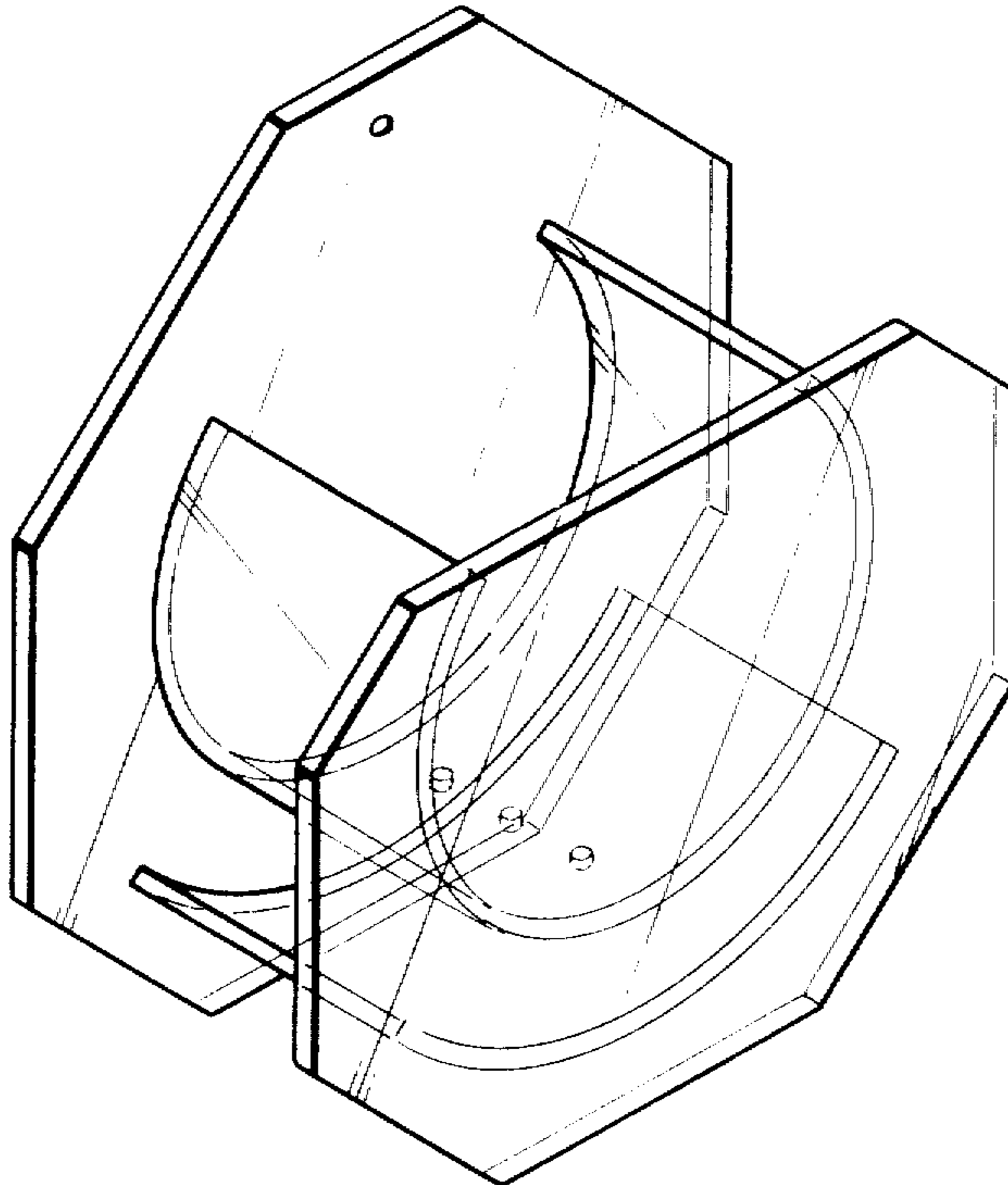


Fig. 1

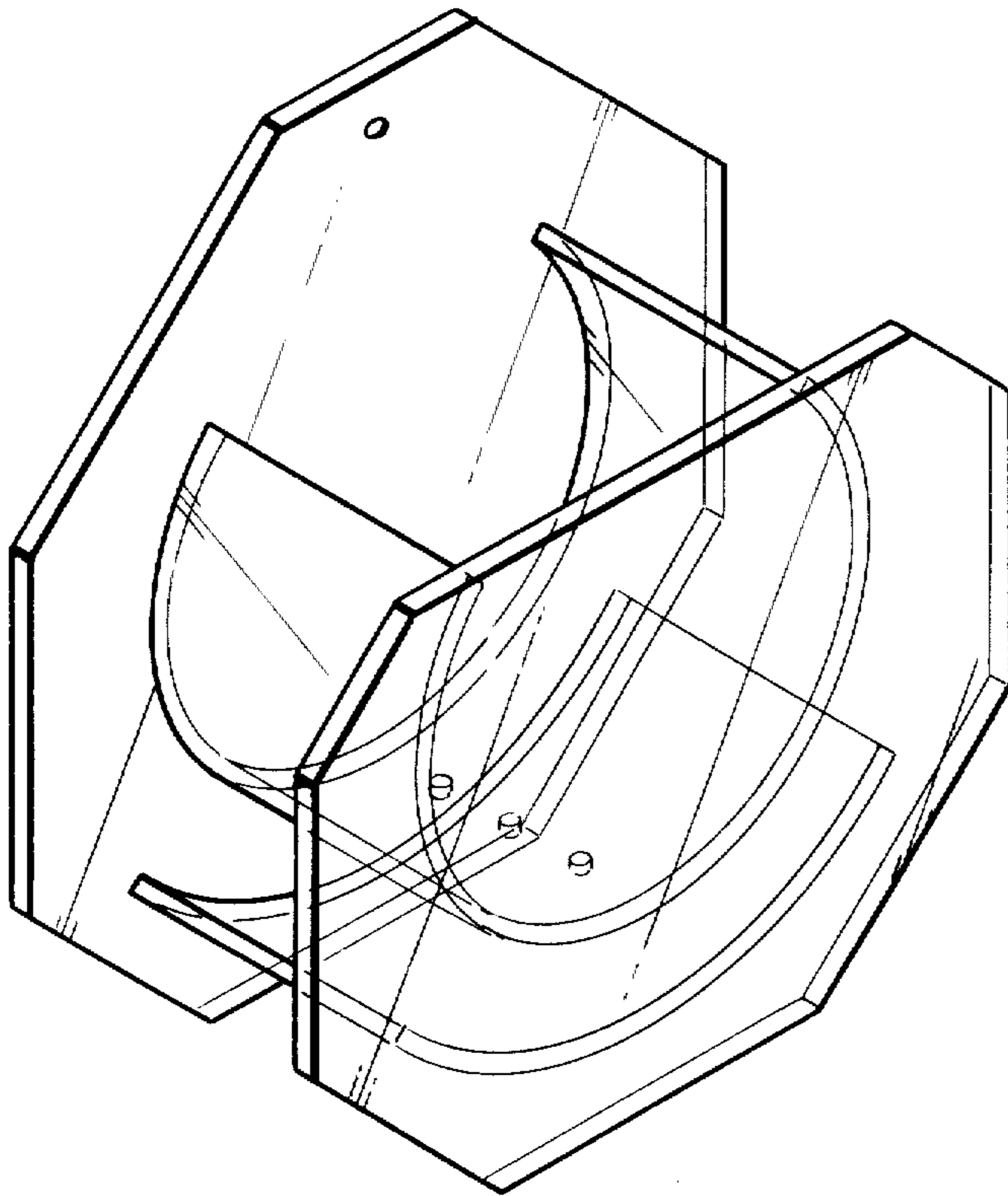


Fig. 2

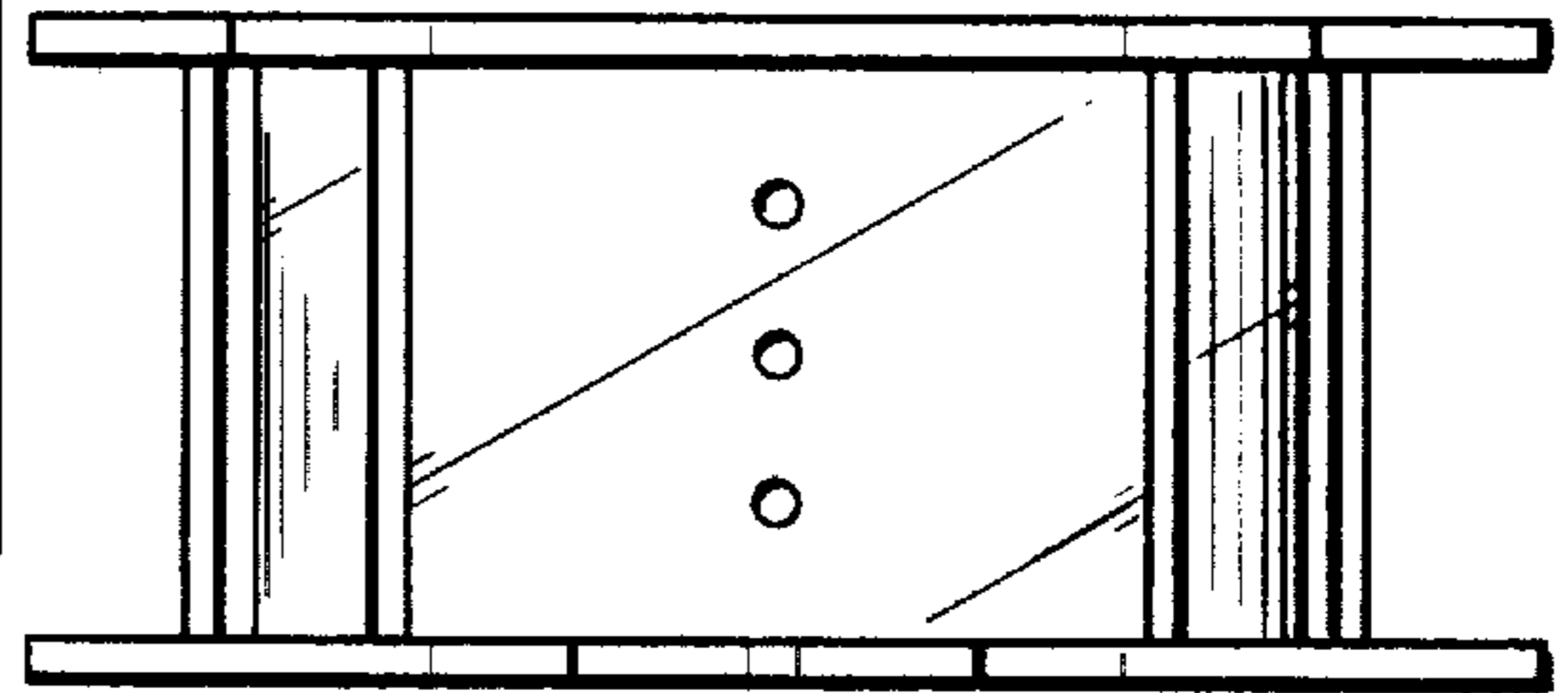


Fig. 4

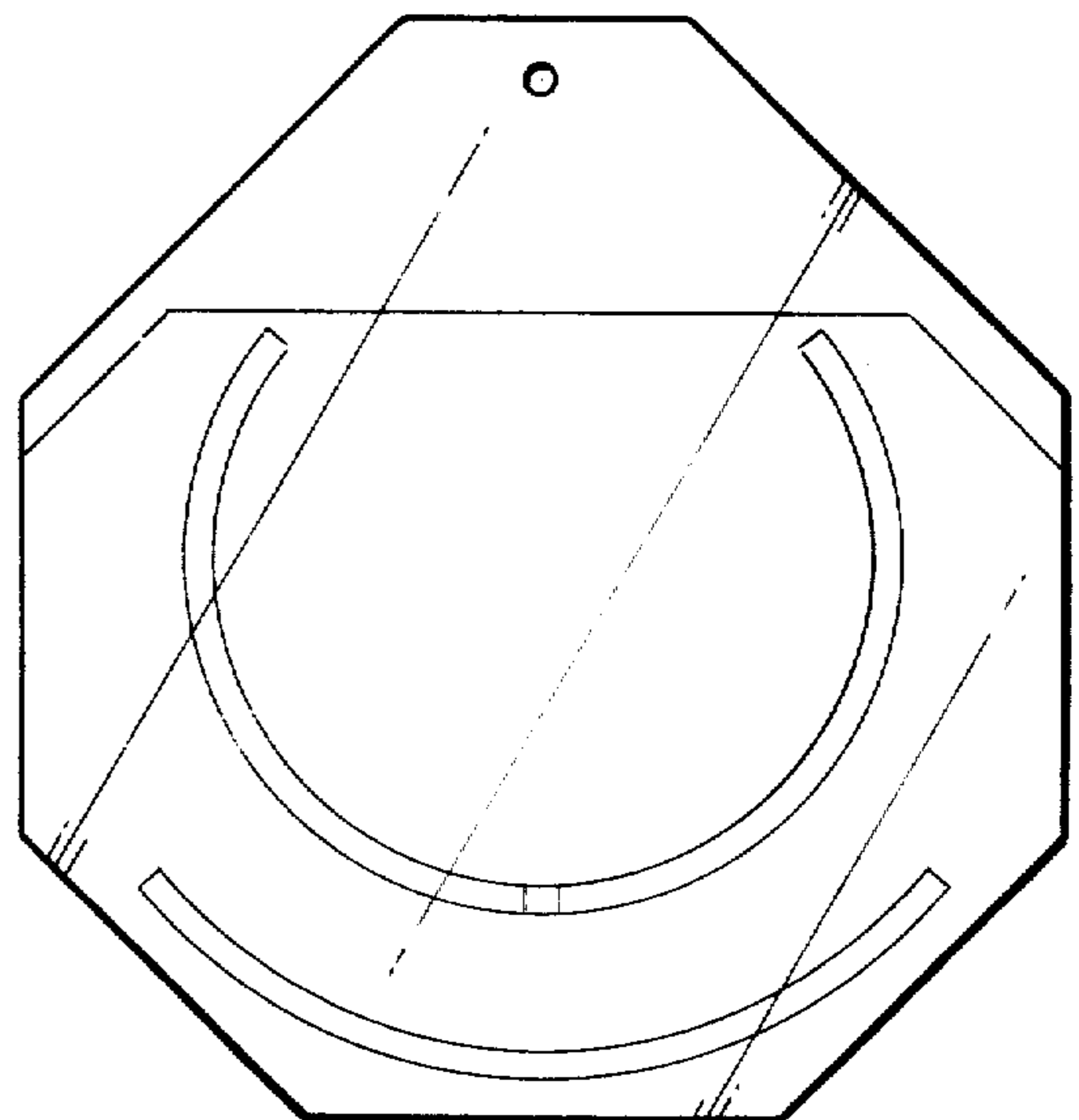


Fig. 3

