

[54] **CHRISTMAS TREE STAND**

[76] **Inventor:** Lawrence J. Okruszynski, 4074 N. 68th St., Milwaukee, Wis. 53216

[**] **Term:** 14 Years

[21] **Appl. No.:** 122,429

[22] **Filed:** Feb. 19, 1980

[51] **Int. Cl.** D6—99; D11—05

[52] **U.S. Cl.** D6/105; D6/151; D11/125; D11/149

[58] **Field of Search** D6/105, 151; D11/149, D11/125; D23/94; 47/42; 248/163, 165, 172, 527, 528, 529; 126/120

[56] **References Cited**

U.S. PATENT DOCUMENTS

D. 177,756 5/1956 Peterson et al. D6/105
D. 212,106 8/1968 Wharmby D6/105
D. 217,556 5/1970 Adler D11/125
2,103,171 12/1937 Nilson 126/120

Primary Examiner—B. J. Bullock
Attorney, Agent, or Firm—Cahill, Sutton & Thomas

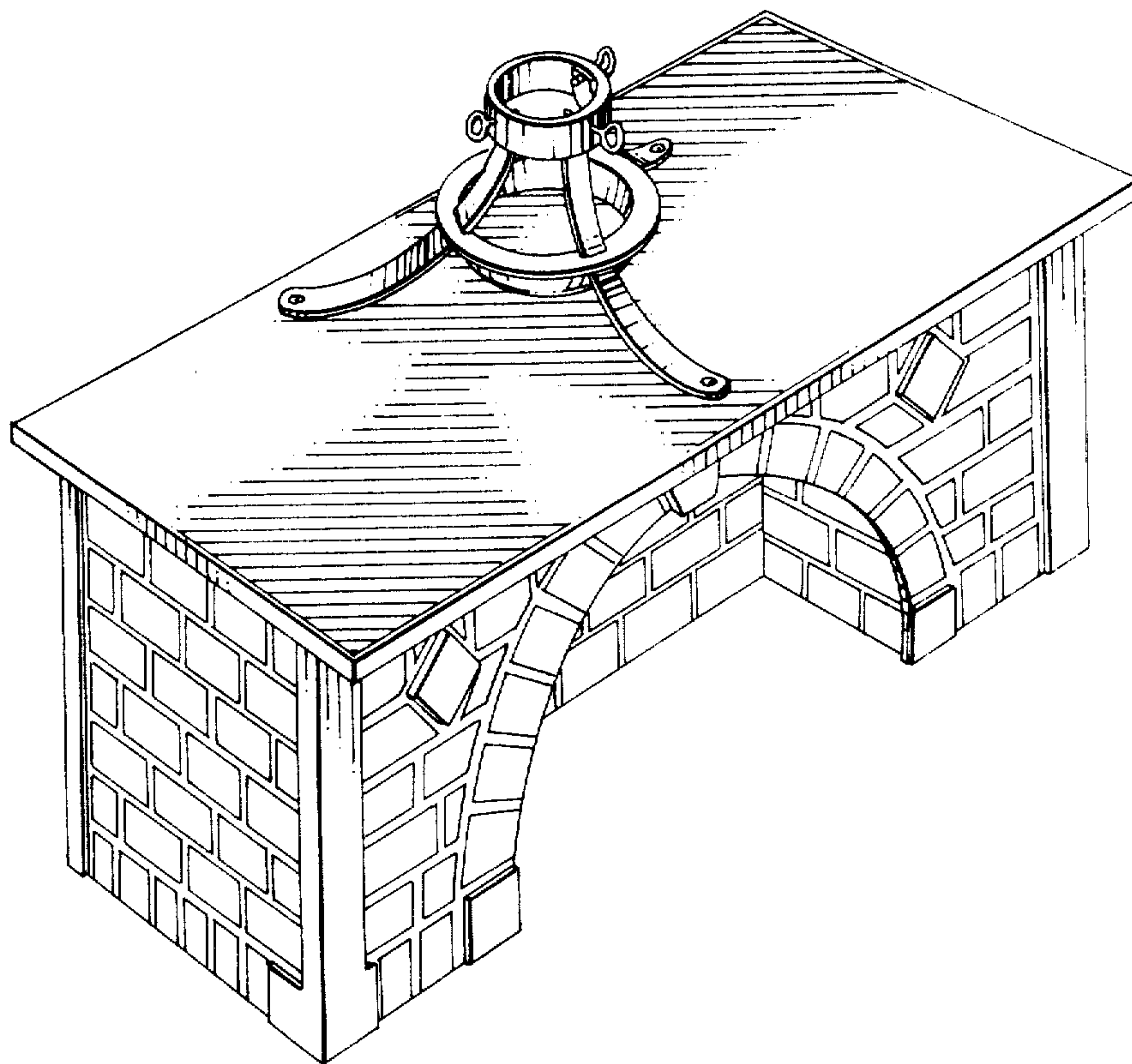
[57] **CLAIM**

The ornamental design for a Christmas tree stand, as shown and described.

DESCRIPTION

FIG. 1 is a top front perspective view of a Christmas tree stand showing my new design, the side opposite that shown being a mirror image thereof;

FIG. 2 is a reduced bottom rear perspective view thereof, the side opposite that shown being a mirror image thereof.



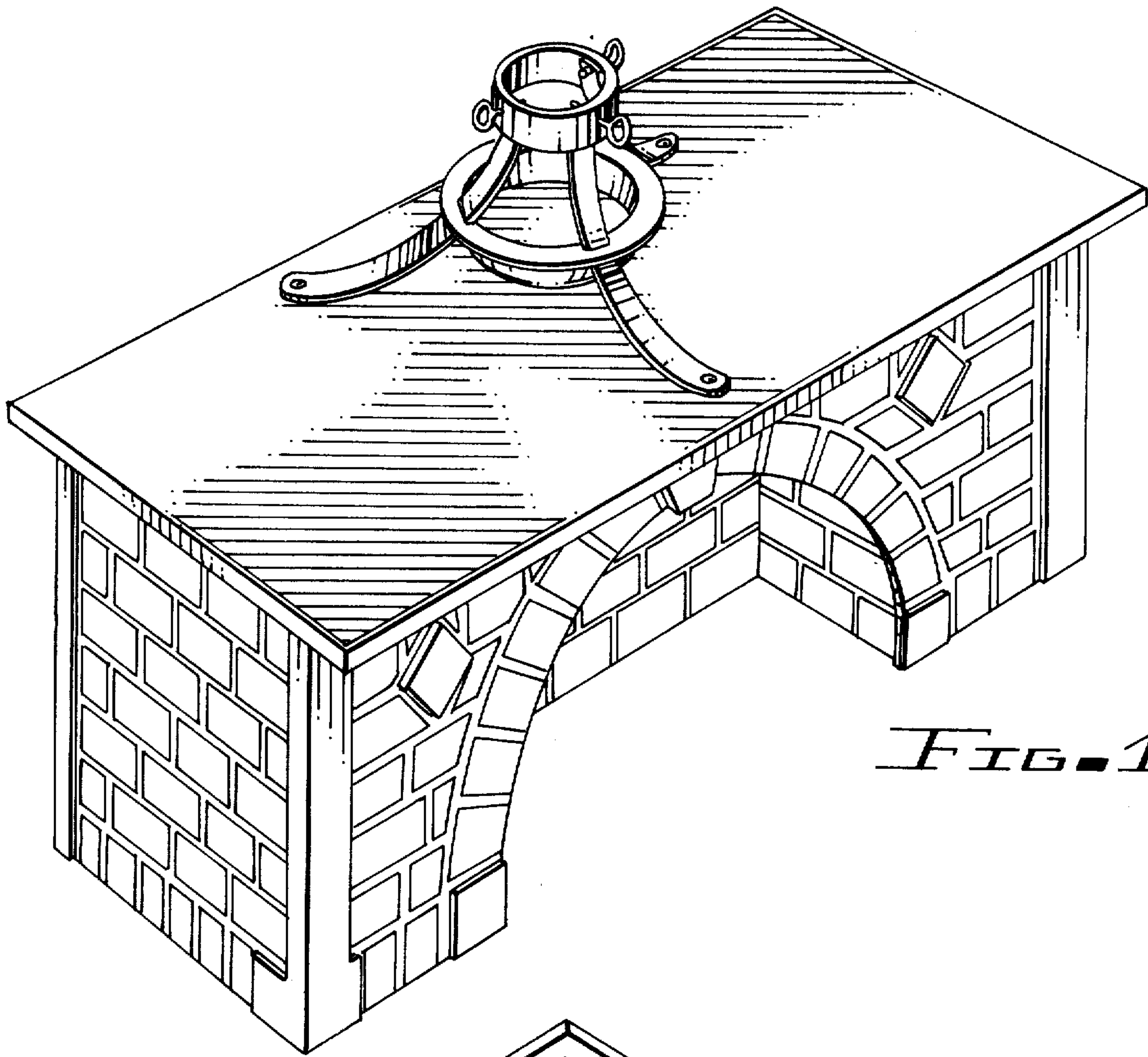


FIG. 1

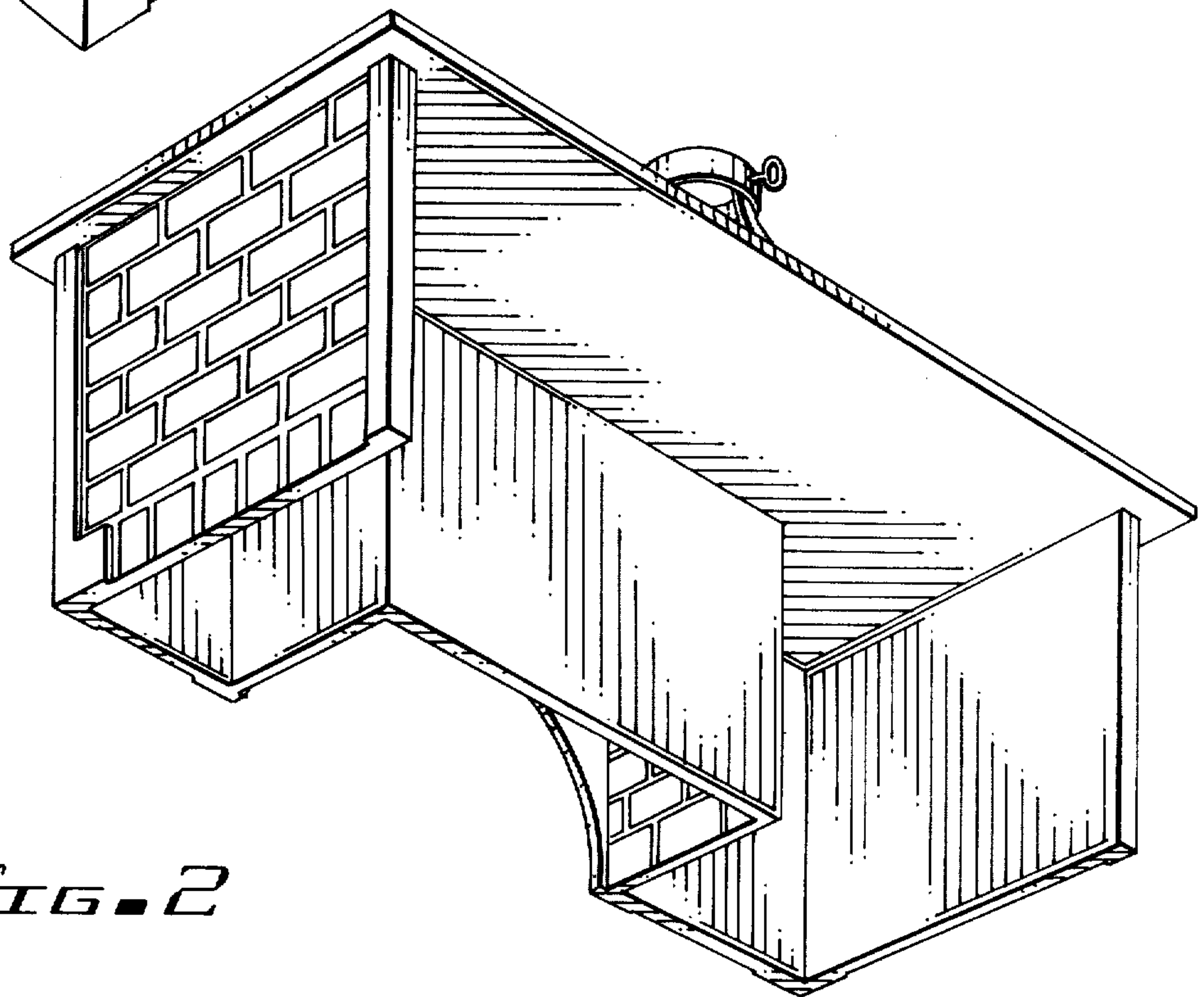


FIG. 2