

[54] COMBINED VANITY AND STORAGE UNIT

[76] Inventor: Mark W. Zabrowsky, 129 Tracy Pl., Hackensack, N.J. 07601

[**] Term: 14 Years

[21] Appl. No.: 136,876

[22] Filed: Apr. 3, 1980

[51] Int. Cl. D6-04

[52] U.S. Cl. D6/29; D6/169; D28/67; D28/68; 312/224

[58] Field of Search D6/1, 85, 20, 25, 27, D6/28, 29, 167, 168, 169, 172, 174, 181, 178, 166, 158; D28/65, 66, 67, 68; 312/224, 226, 233; 362/2, 127, 132, 133

[56] References Cited

U.S. PATENT DOCUMENTS

- D. 140,920 4/1945 Taylor D6/166
- D. 163,164 5/1951 Brunner D6/174
- D. 199,846 12/1964 Armstrong D6/158
- D. 220,193 3/1971 Wright D6/158 X

- D. 252,388 7/1979 Fjellø-Jensen D6/178 X
- 3,737,646 6/1973 Burrows 312/224 X

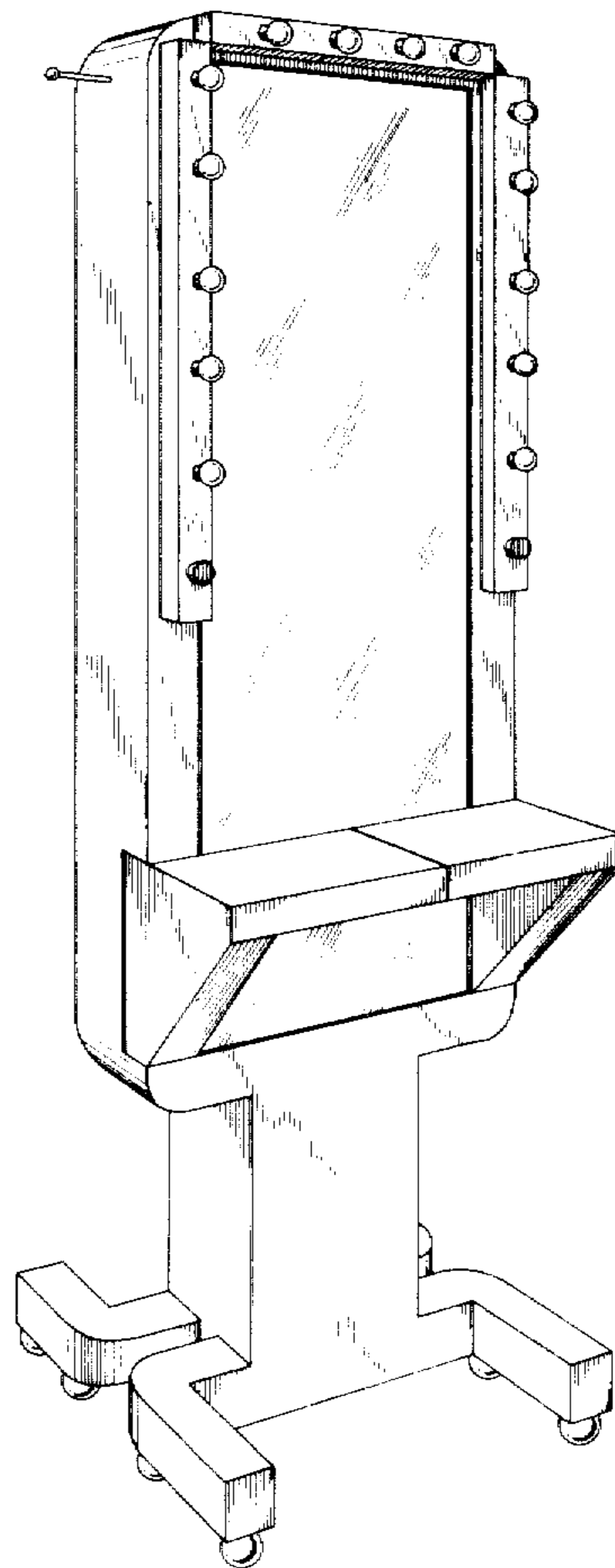
Primary Examiner—Bruce W. Dunkins
Assistant Examiner—Carmen H. Vales
Attorney, Agent, or Firm—Samuelson & Jacob

[57] CLAIM

The ornamental design for a combined vanity and storage unit, as shown and described.

DESCRIPTION

FIG. 1 is a perspective view of a combined vanity and storage unit showing my new design;
 FIG. 2 is a front elevational view thereof;
 FIG. 3 is a top plan view thereof;
 FIG. 4 is a right side elevational view, the left side being a mirror image thereof;
 FIG. 5 is a rear elevational view thereof;
 FIG. 6 is a bottom plan view thereof;
 FIG. 7 is a fragmentary perspective view with the counter in extended position showing the mirrored door; and
 FIG. 8 is a perspective view with the counter in extended position and the door in open position.



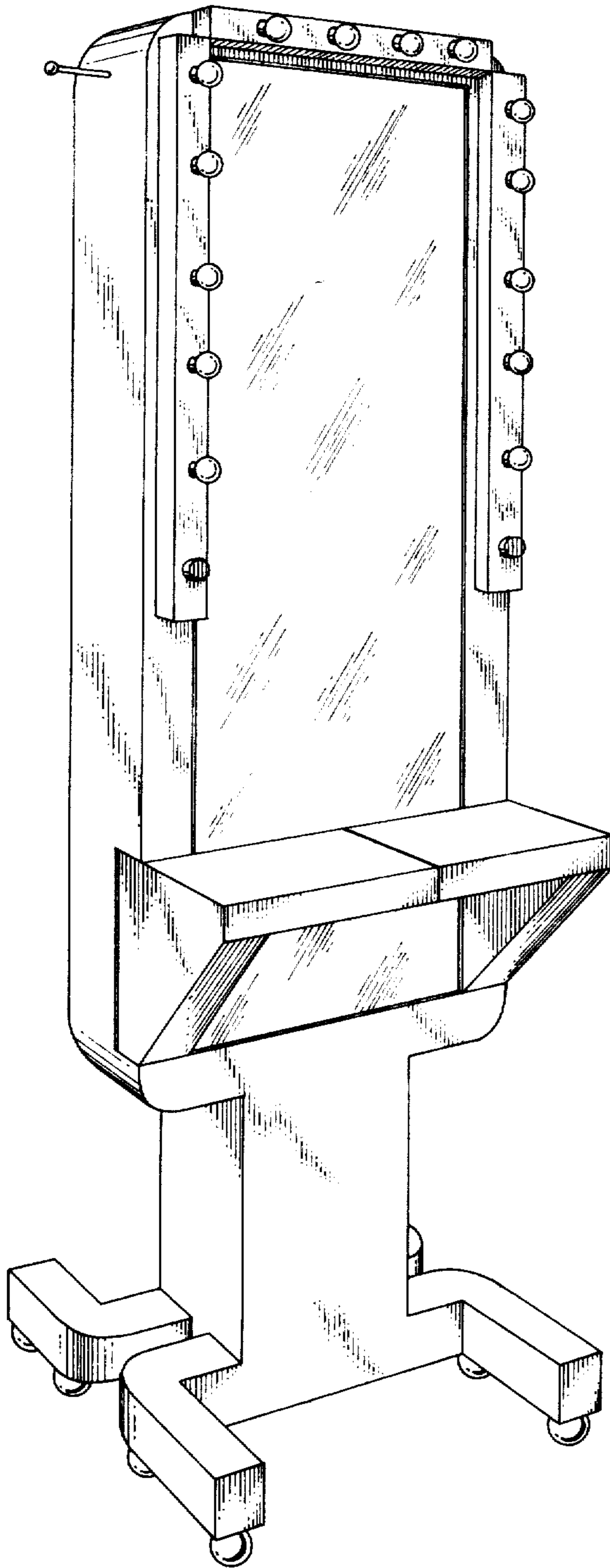


FIG. 1

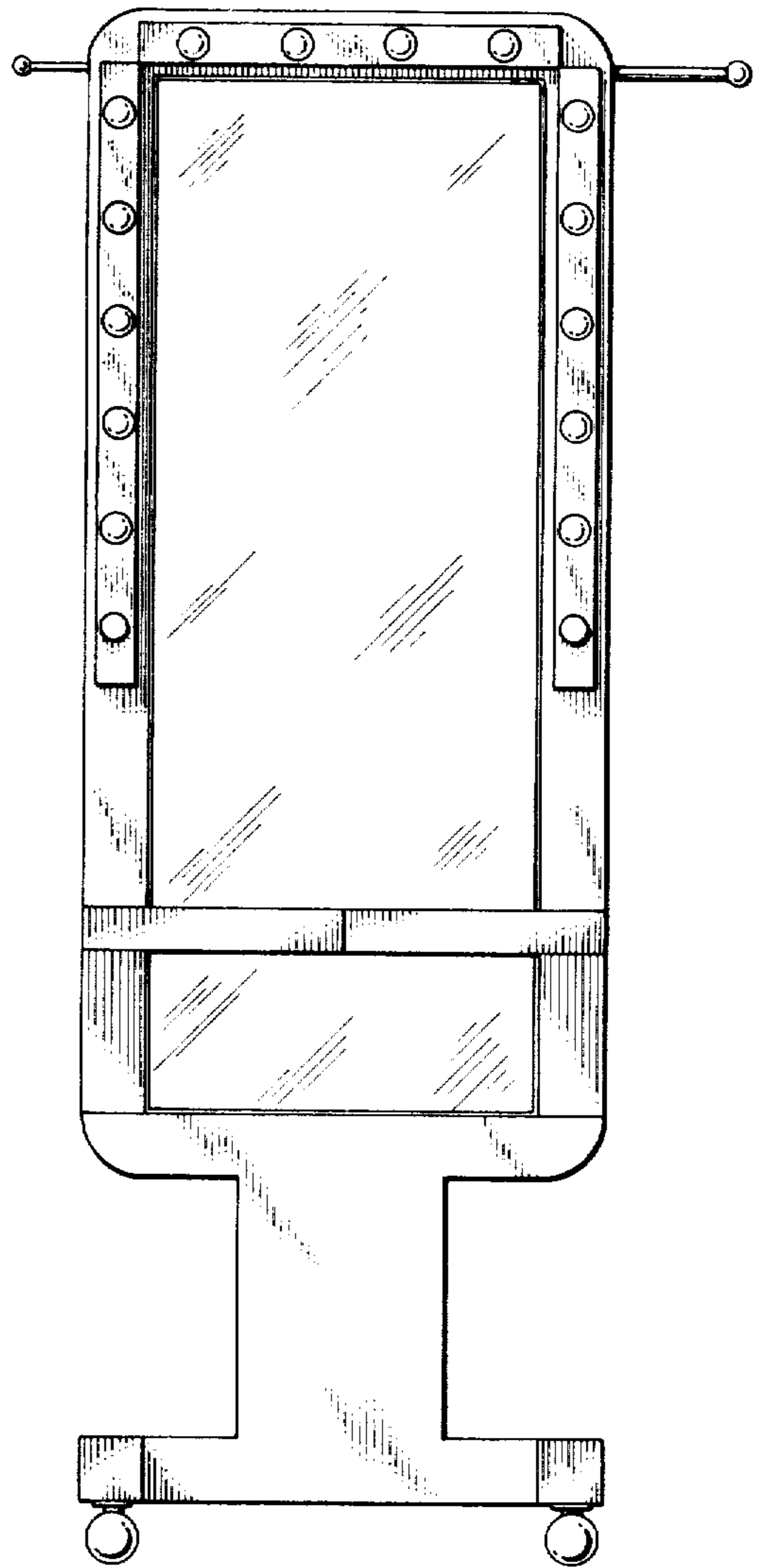


FIG. 2

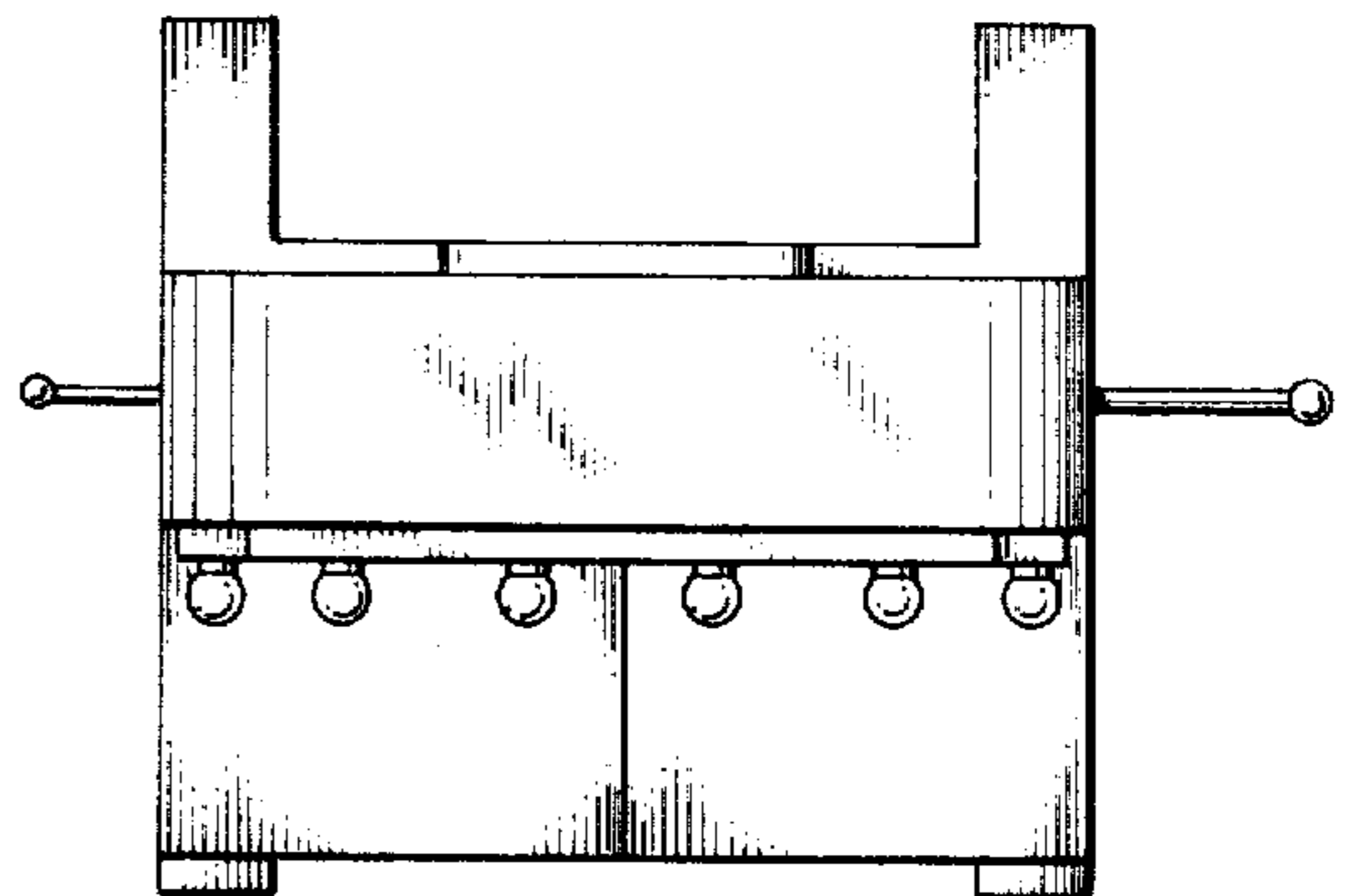


FIG. 3

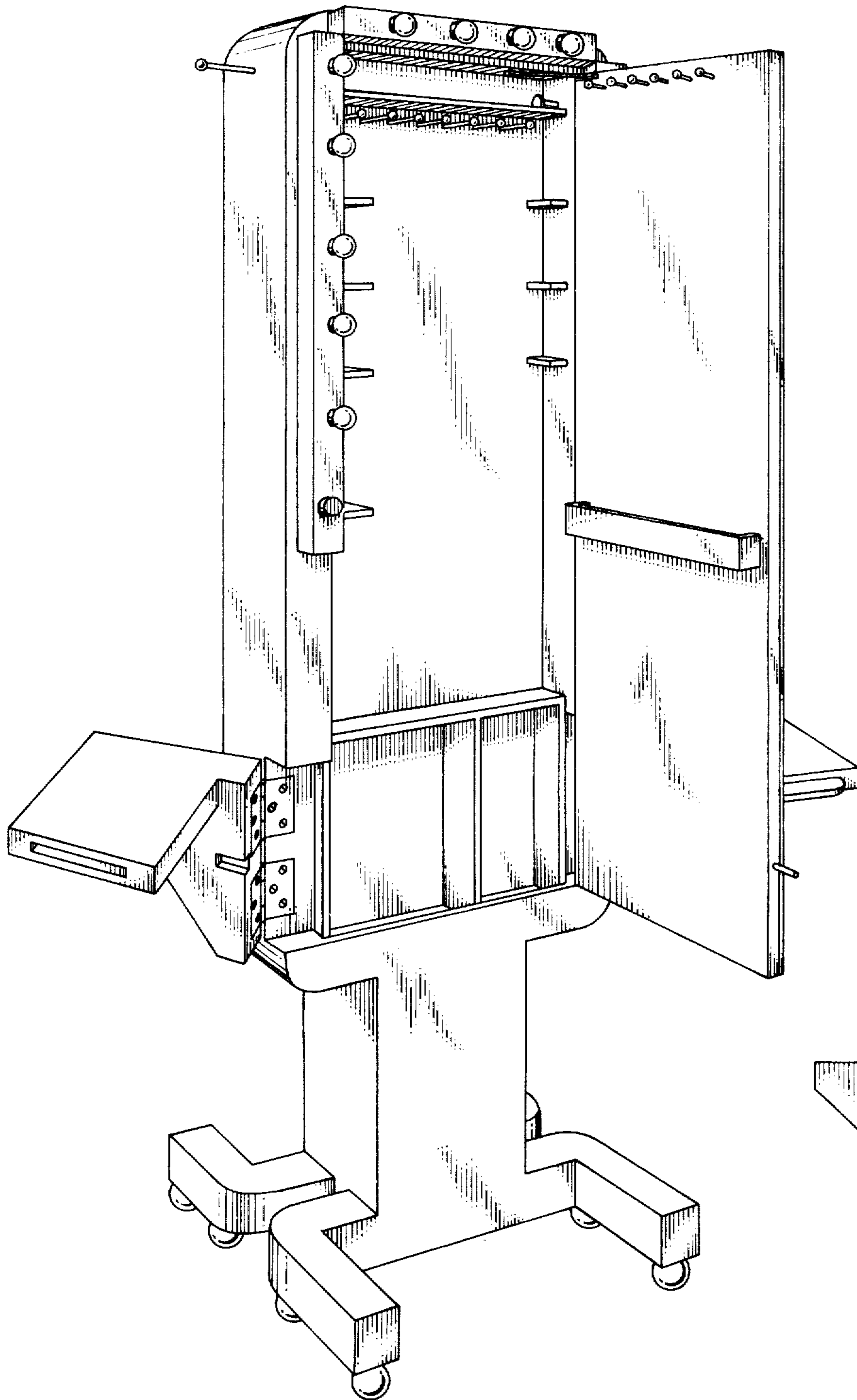


FIG. 8

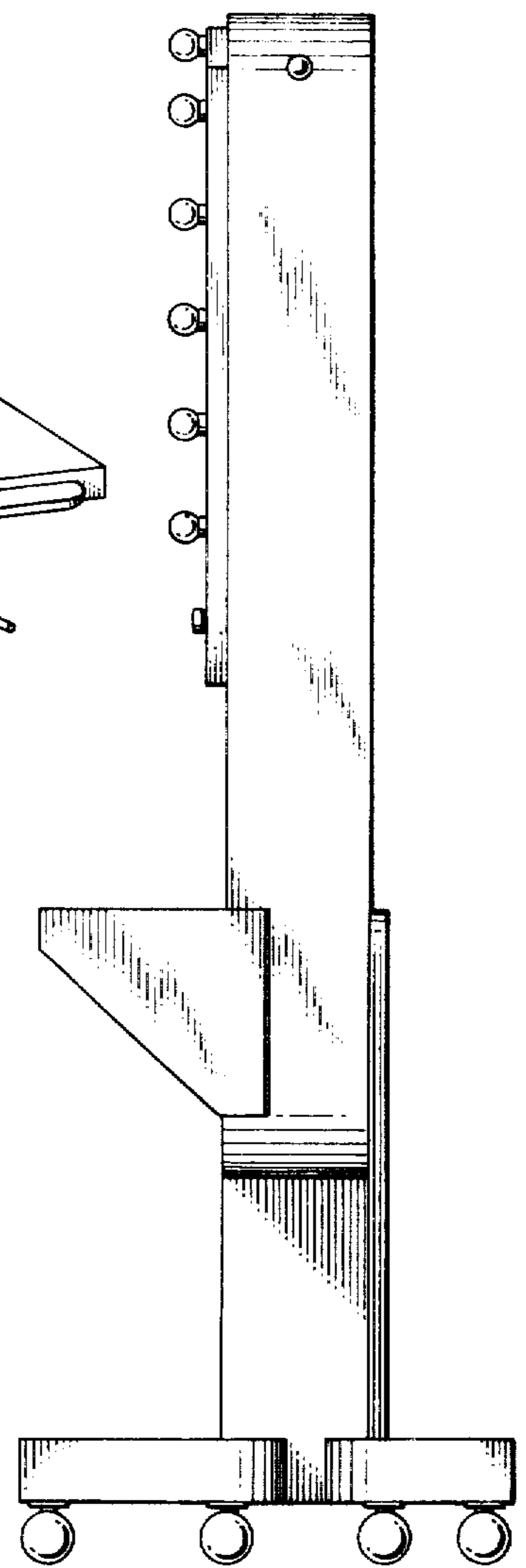


FIG. 4

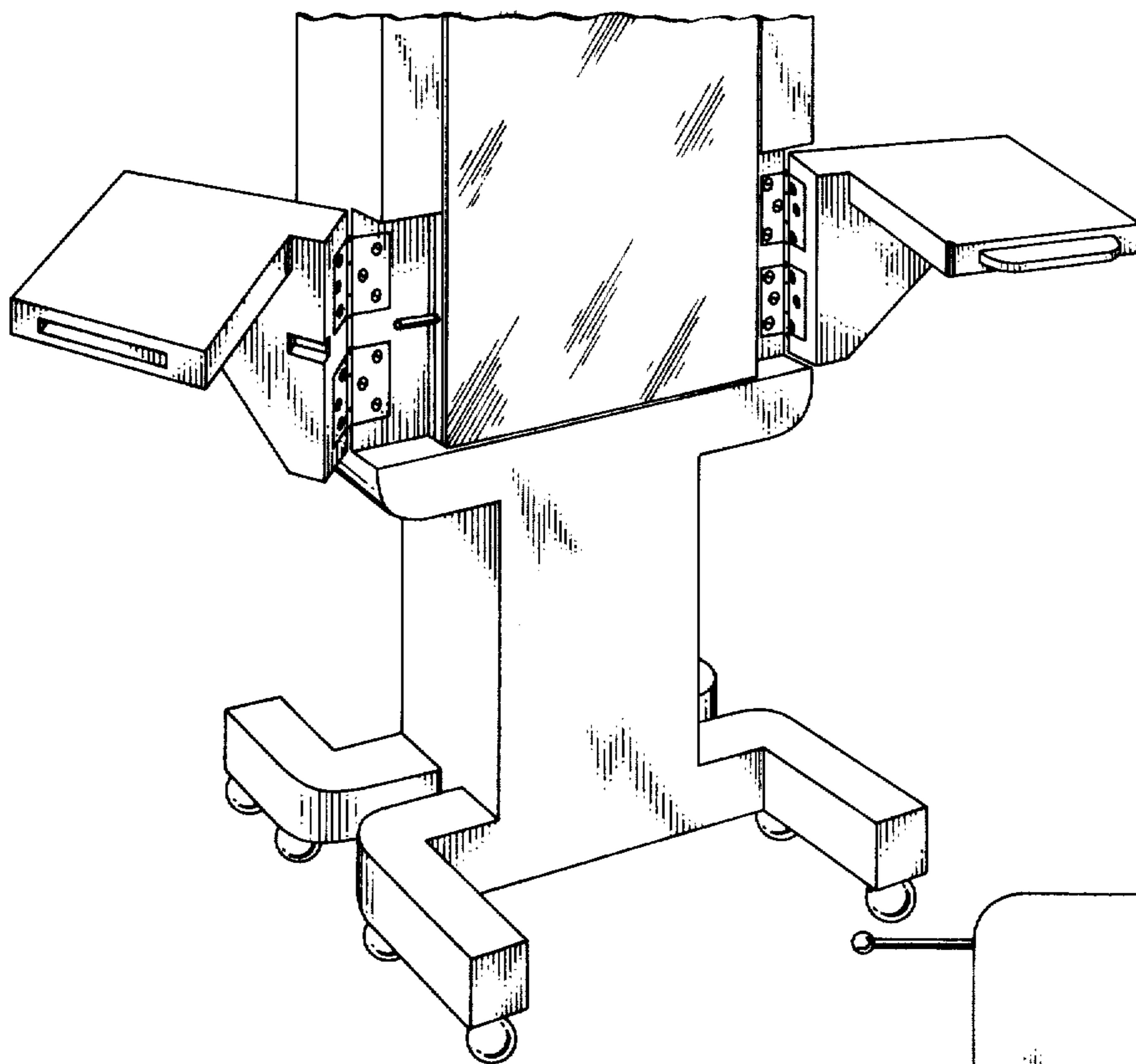


FIG. 7

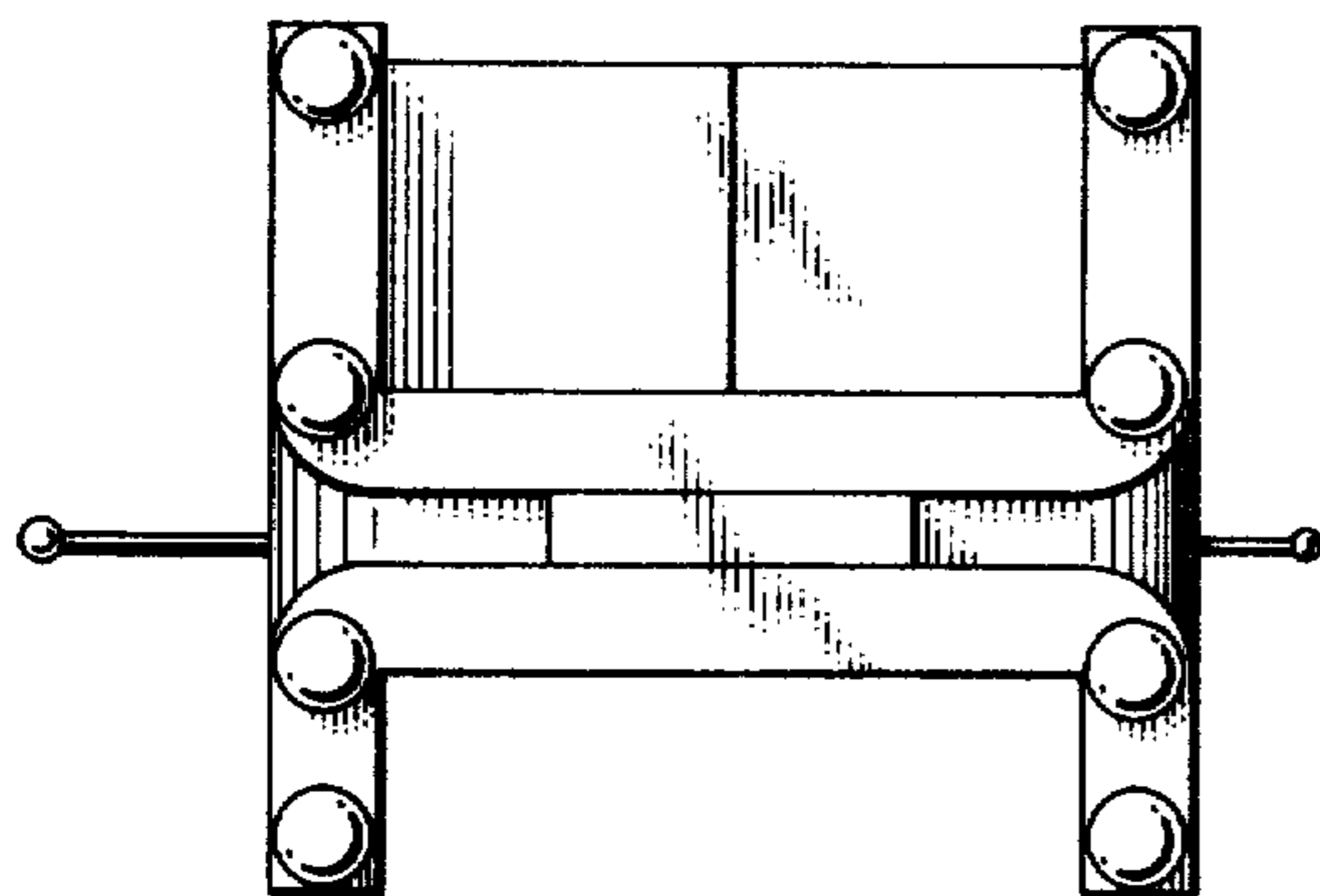


FIG. 6

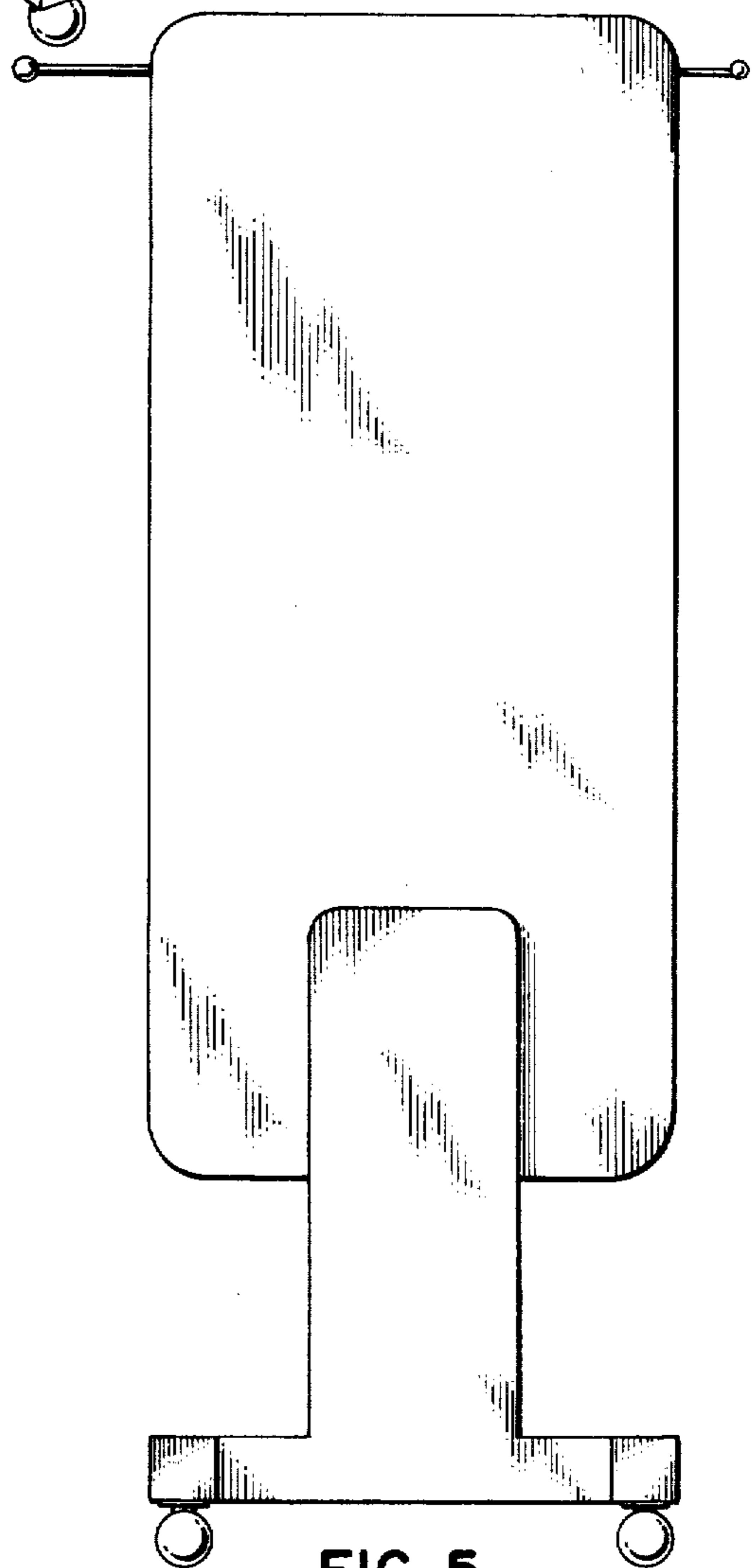


FIG. 5