

[54] DISPLAY STAND

[56]

References Cited

U.S. PATENT DOCUMENTS

[75] Inventor: Peter L. Waines, Enfield, England

3,172,539 3/1965 Rulf 211/59.1

3,524,616 8/1970 Marschak 248/220.4

4,216,867 8/1980 Sturm D6/25 X

[73] Assignee: The Gillette Company, Boston, Mass.

FOREIGN PATENT DOCUMENTS

1499346 9/1967 France 211/59.1

[**] Term: 14 Years

Primary Examiner—Jane E. Corrigan

Assistant Examiner—Carmen H. Vales

Attorney, Agent, or Firm—Mandel E. Slater

[21] Appl. No.: 128,415

[57] CLAIM

[22] Filed: Mar. 10, 1980

The ornamental design for a display stand, substantially as shown and described.

DESCRIPTION

[51] Int. Cl. D6—85; D6—157;

D6—04

[52] U.S. Cl. D6/28; D6/29

[58] Field of Search D6/20, 23, 24, 27, 25,

D6/28, 29, 85, 181, 186, 157; 211/57.1, 59.1, 37;

248/220.4

FIG. 1 is a front elevational view of a display stand showing my new design;

FIG. 2 is a side elevational view thereof, the opposite side being substantially a mirror image thereof; and

FIG. 3 is a rear perspective view thereof.

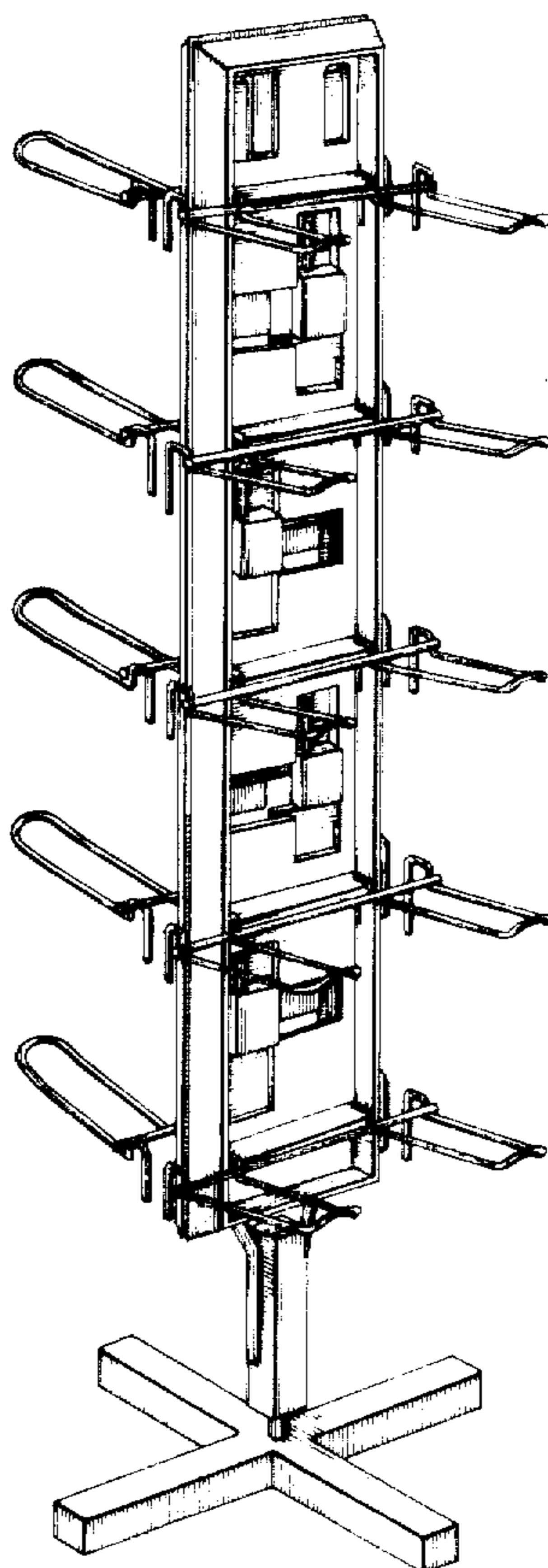


Fig. 1

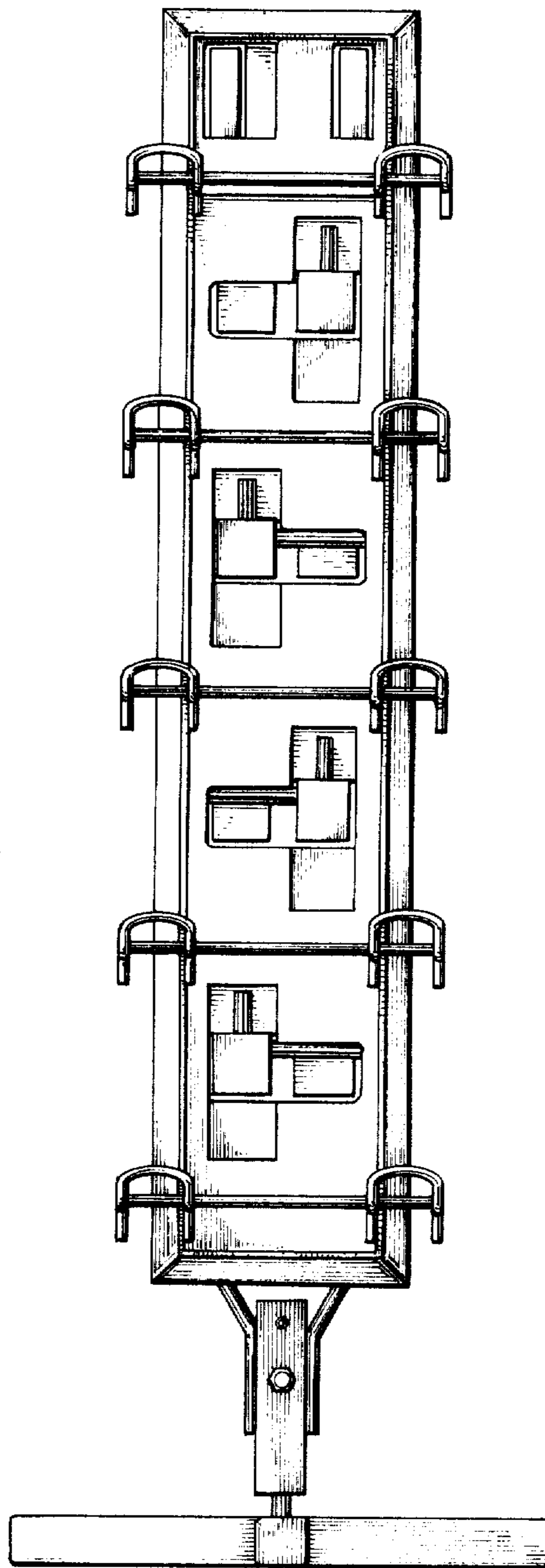


Fig. 2

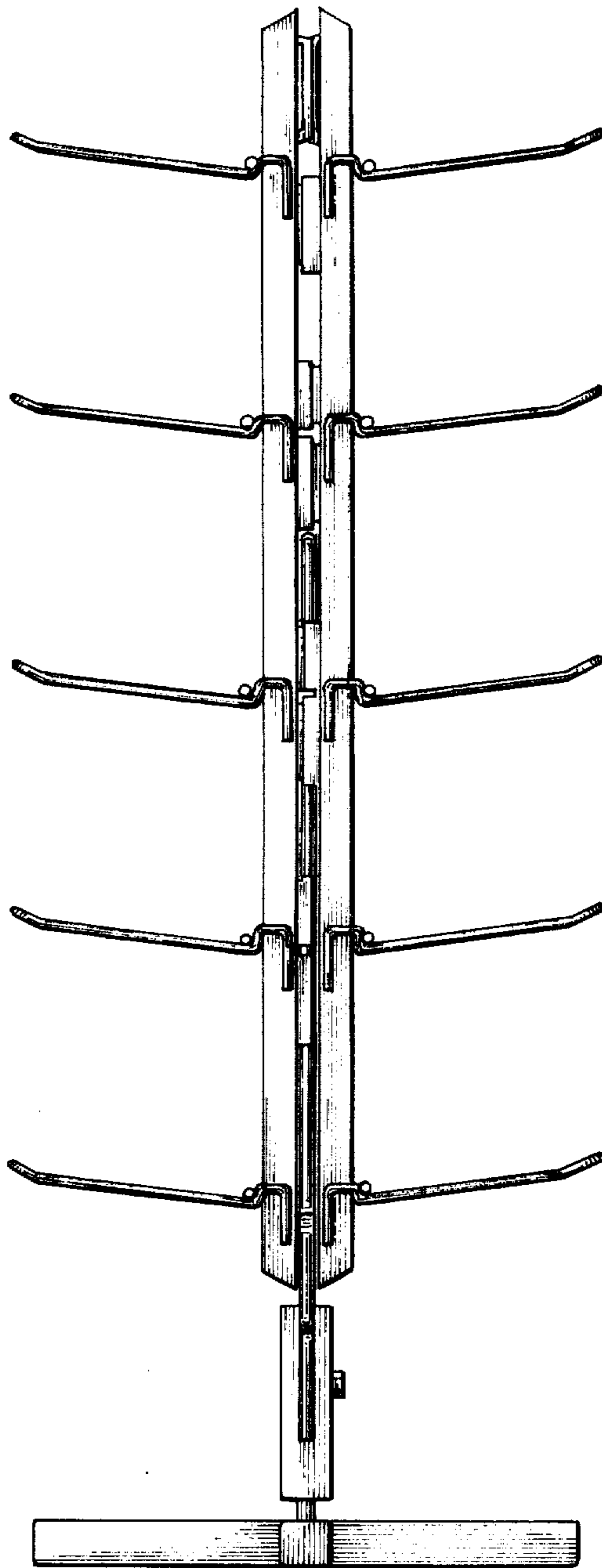


Fig. 3

