

[54] **CASE FOR A HAIRSETTER TRAVEL KIT**

[75] Inventor: **John J. Raab**, Lakewood, N.J.  
[73] Assignee: **Conair Corporation**, Edison, N.J.  
[\*\*] Term: **14 Years**  
[21] Appl. No.: **151,512**  
[22] Filed: **May 19, 1980**

[51] Int. Cl. .... **D3-02**  
[52] U.S. Cl. .... **D3/39; D28/38**  
[58] Field of Search ..... **D3/30, 33, 39, 74;**  
**D28/13, 35-38; 132/7, 9; D99/32, 33, 29**

[56] **References Cited**

**U.S. PATENT DOCUMENTS**

D. 217,204 4/1970 Pedersen ..... D28/38  
D. 226,740 4/1973 Steinkamp ..... D28/13  
D. 256,509 8/1980 Ryan ..... D28/38

**OTHER PUBLICATIONS**

W. Bell Cat., 1977, p. 195, Item "D".  
Home Furnishings Daily, 1/15/79, p. 15, Sect. 3.

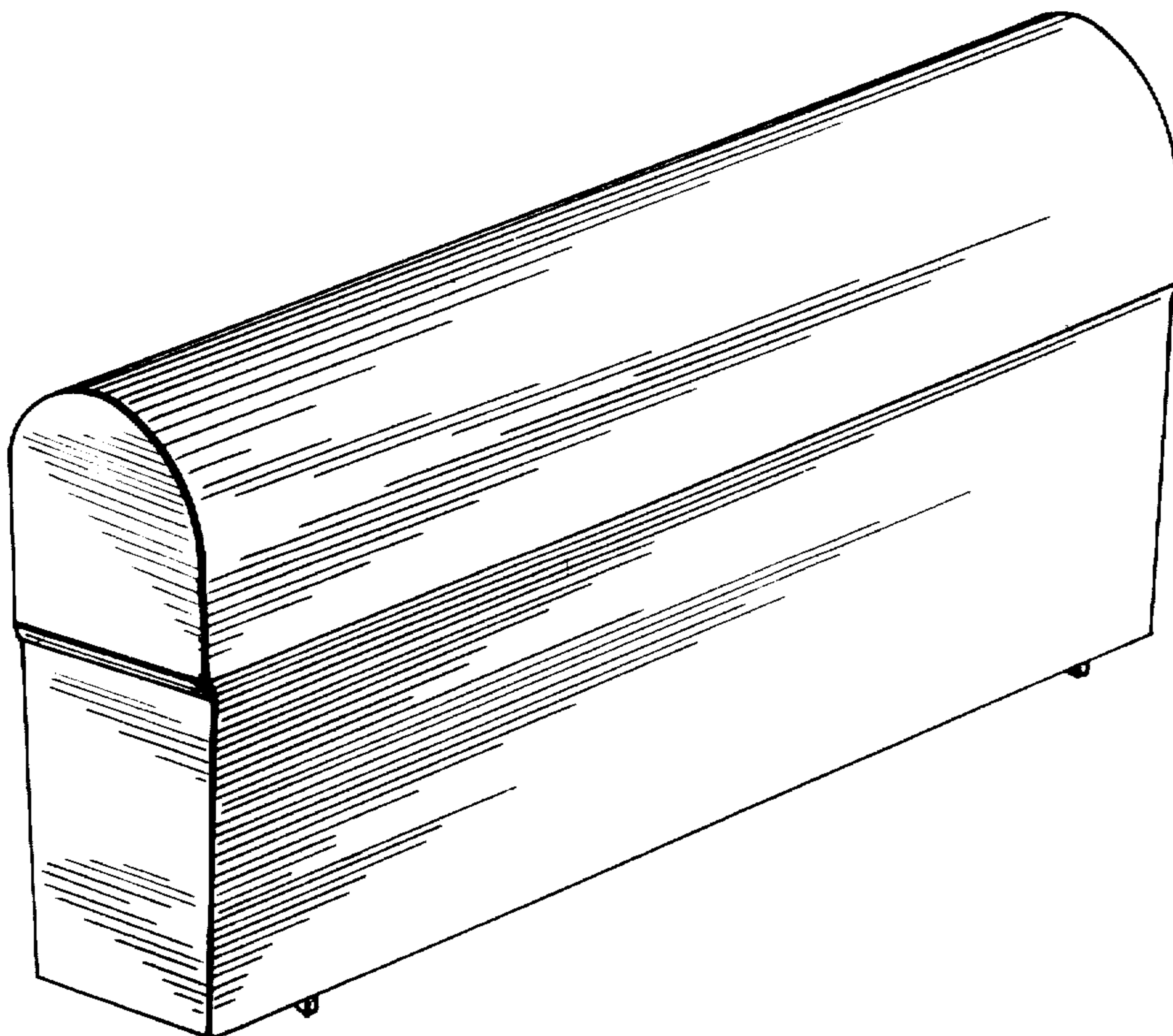
*Primary Examiner*—George P. Word  
*Attorney, Agent, or Firm*—Haynes N. Johnson

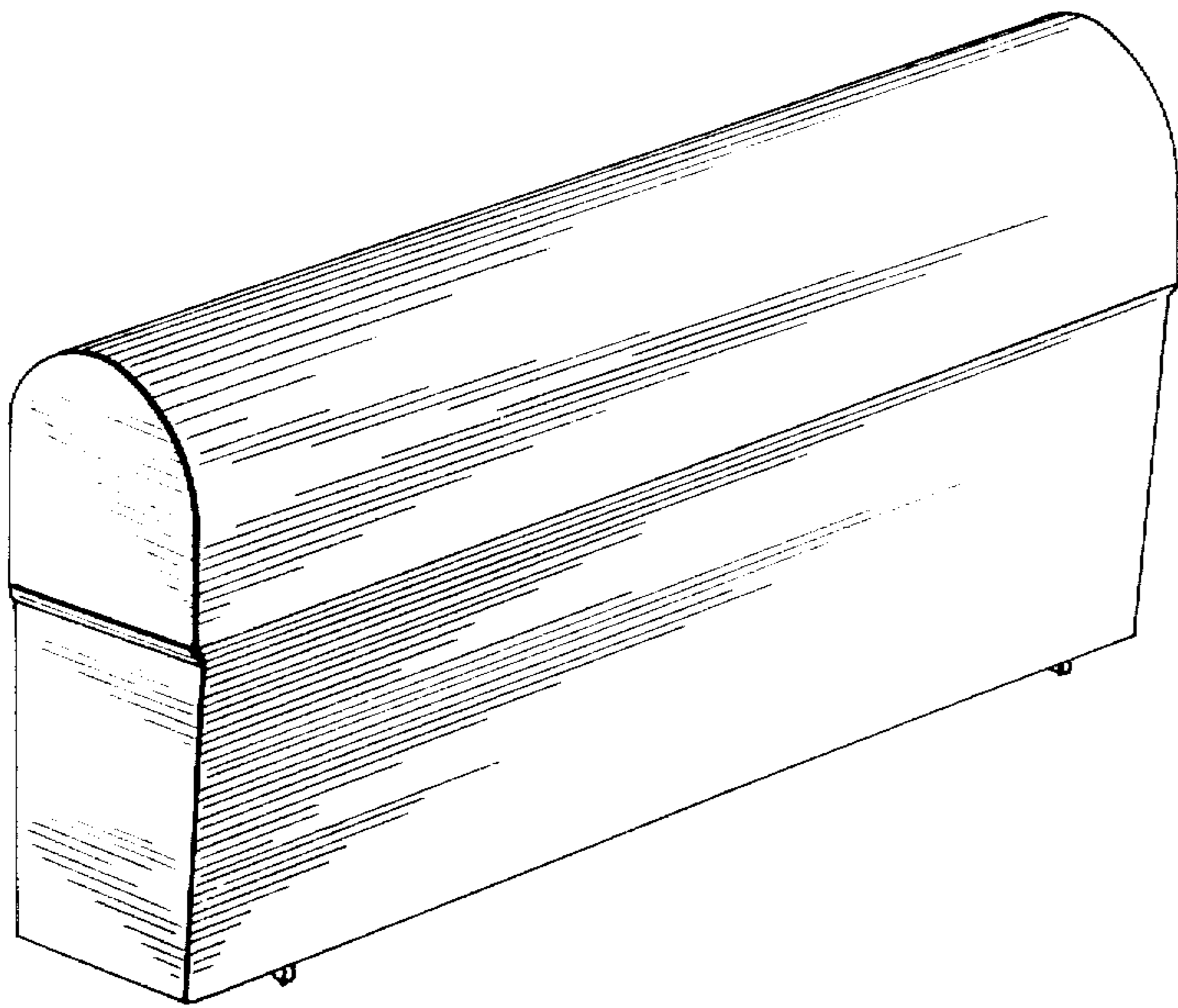
[57] **CLAIM**

The ornamental design for a case for a hairsetter travel kit, substantially as shown and described.

**DESCRIPTION**

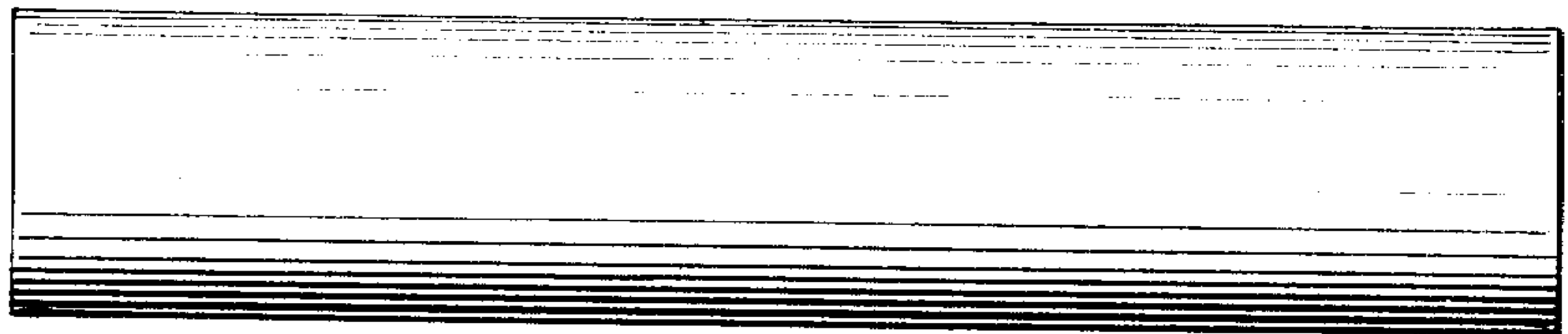
FIG. 1 is a perspective view of a case for a hairsetter travel kit showing my new design;  
FIG. 2 is a top plan view thereof;  
FIG. 3 is an end elevational view thereof;  
FIG. 4 is a front elevational view, the rear elevational view being identical; and  
FIG. 5 is a bottom plan view thereof.



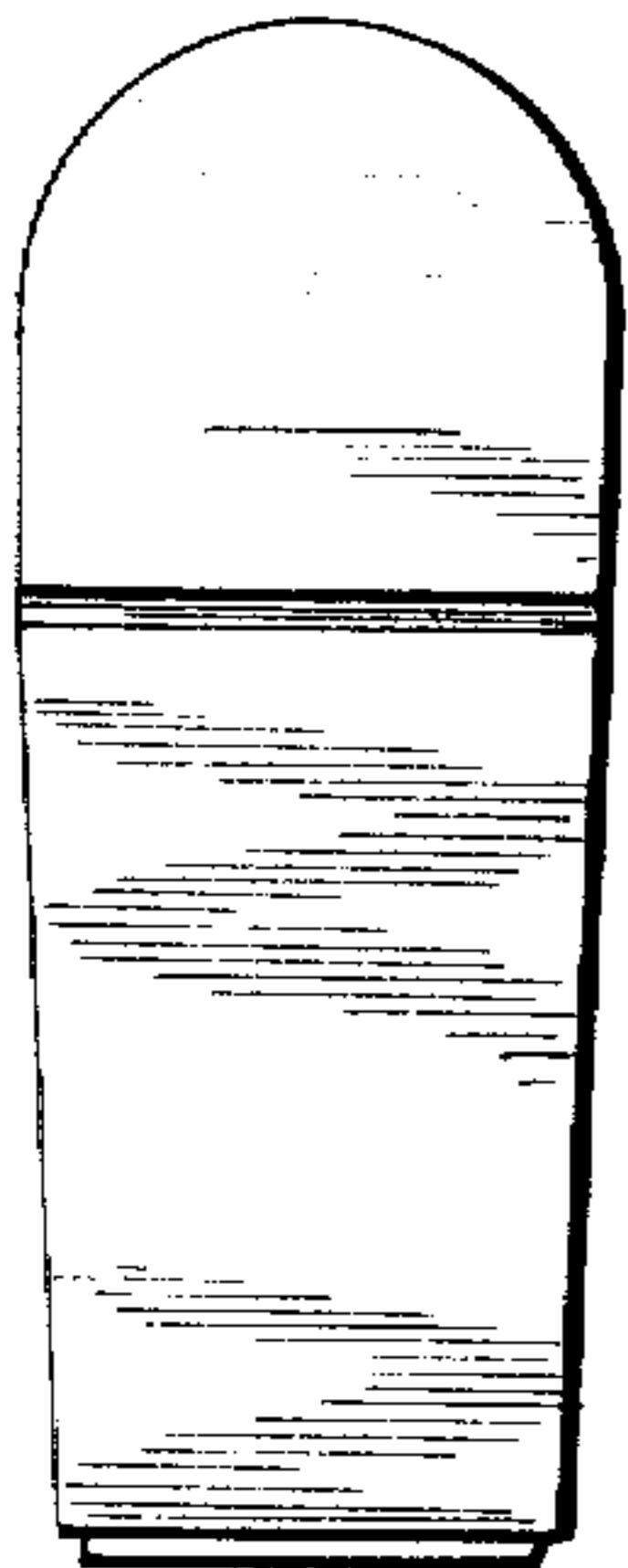


*Fig. 1.*

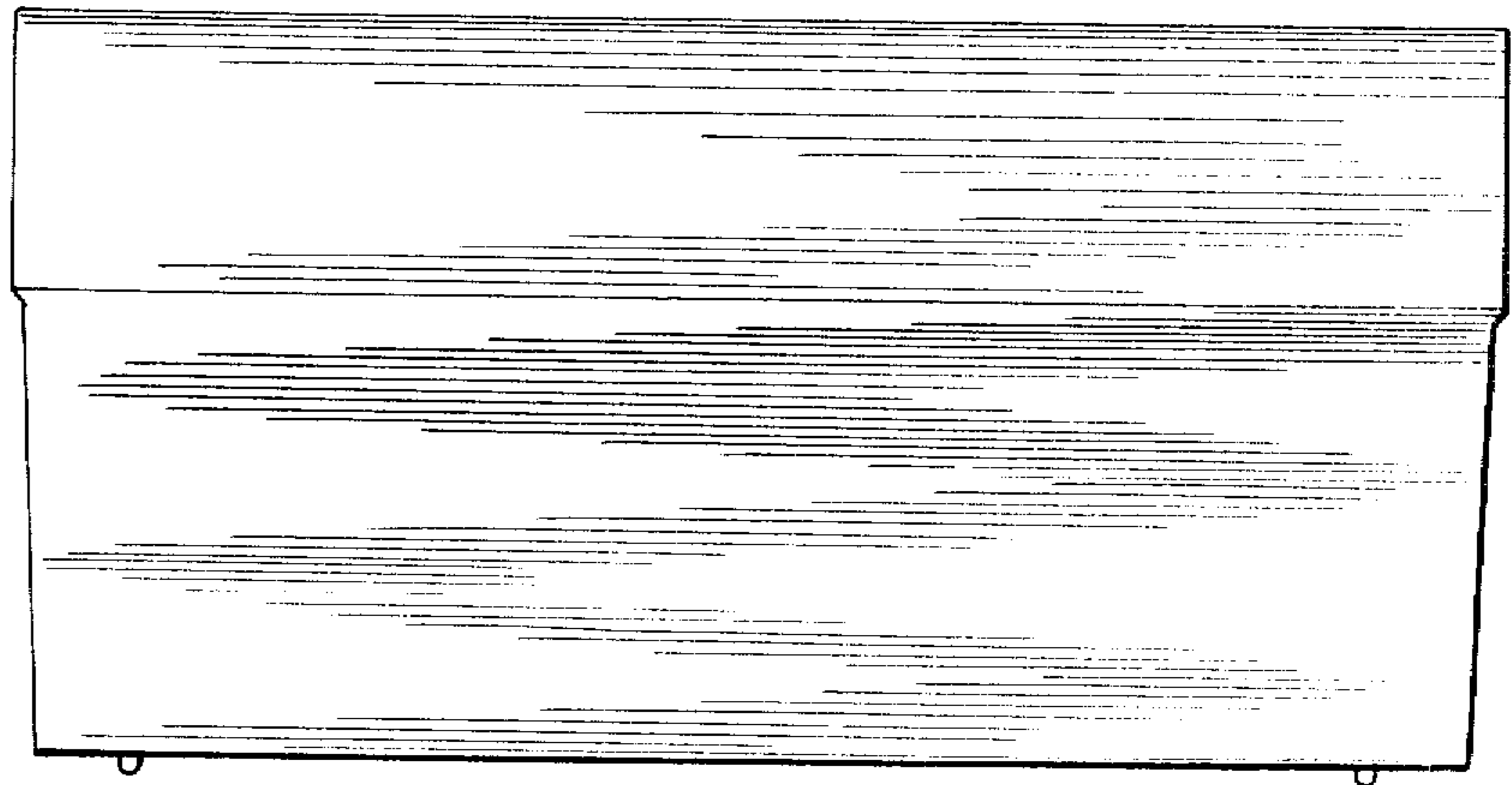
*Fig. 2.*



*Fig. 3.*



*Fig. 4.*



*Fig. 5.*

