

[54] ANTFARM

[76] Inventor: **Joseph W. Berteloot**, 310 Ladera, San Jose, Calif. 95134

[**] Term: **14 Years**

[21] Appl. No.: **154,804**

[22] Filed: **May 30, 1980**

[51] Int. Cl. **D30-02**

[52] U.S. Cl. **D30/1**

[58] Field of Search D30/1, 41, 99; 119/1, 119/15

3,283,743 11/1966 Dibelius 119/1

3,653,357 4/1972 Sheidlower et al. 119/1

3,687,110 8/1972 Braunhot 119/15

4,252,080 2/1981 Gioia et al. 119/1

Primary Examiner—James R. Largen
Attorney, Agent, or Firm—Paul L. Hickman

[57] **CLAIM**

The ornamental design for an antfarm, as shown and described.

DESCRIPTION

FIG. 1 is a front elevational view of an antfarm showing my new design, the rear being a mirror image of the front shown.

FIG. 2 is a top plan view thereof;

FIG. 3 is a bottom plan view thereof;

FIG. 4 is a left side elevational view thereof; and

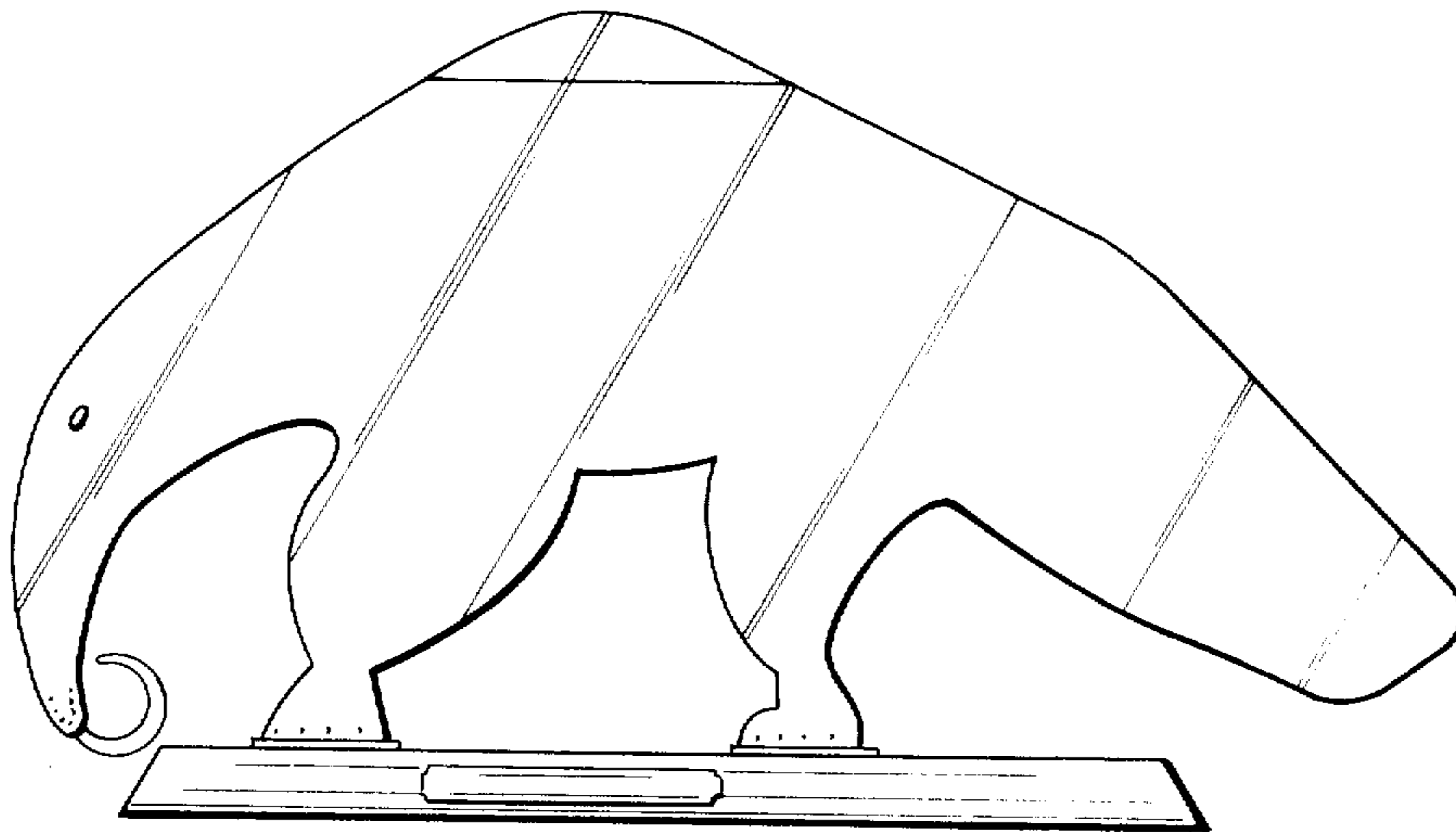
FIG. 5 is a right side elevational view thereof.

[56] **References Cited**
U.S. PATENT DOCUMENTS

D. 222,065 9/1971 Sheidlower D30/1

1,810,745 6/1931 Austin 119/1

2,080,160 5/1937 Austin 119/1



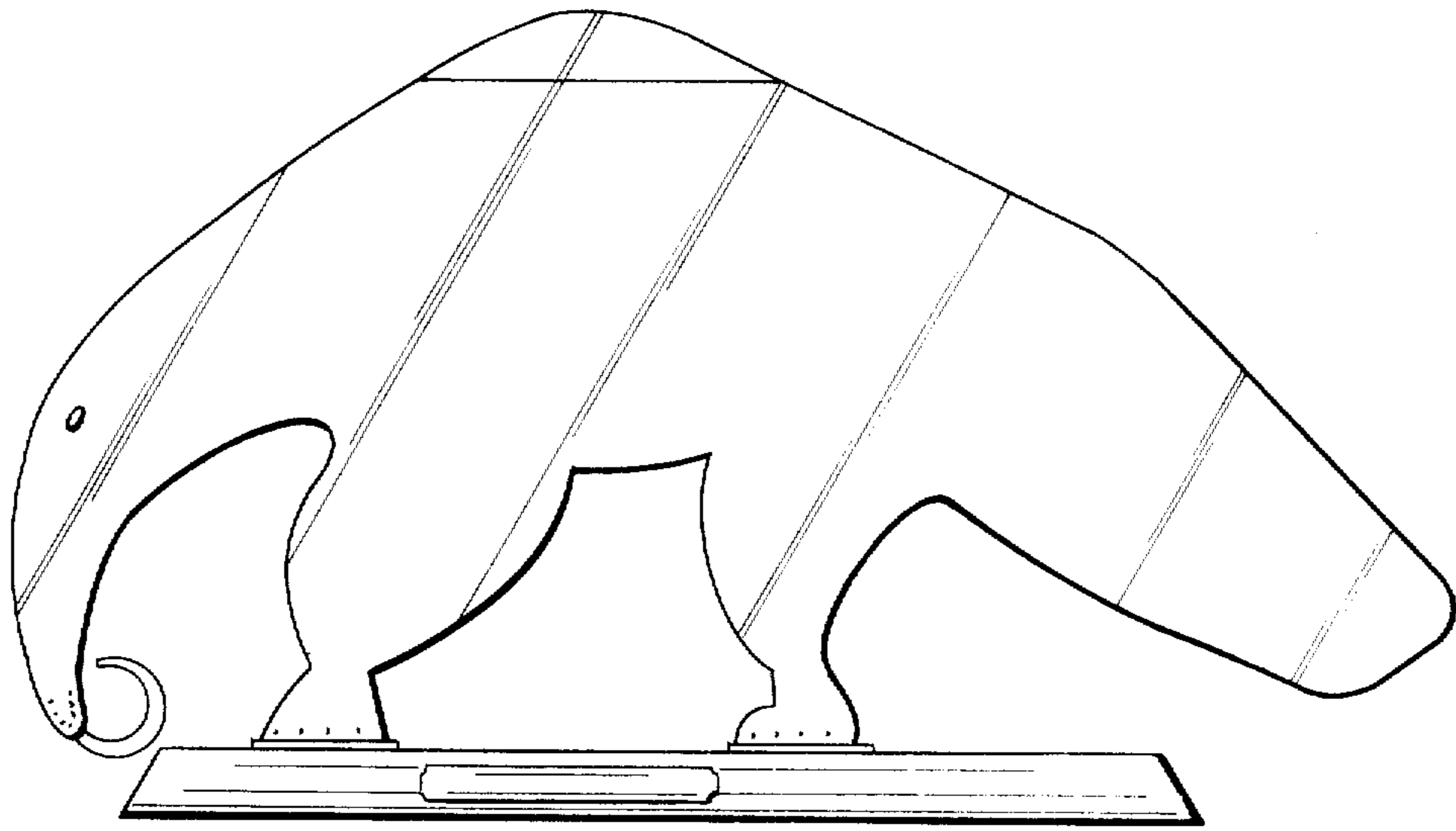


FIG 1

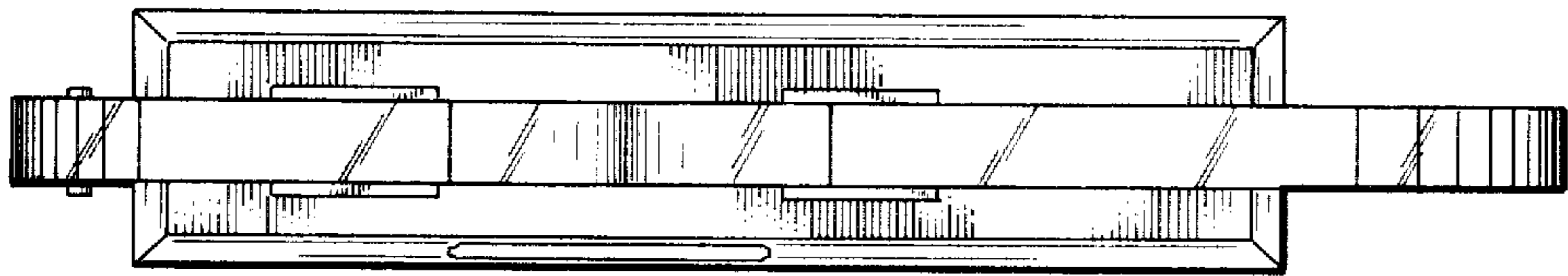


FIG 2

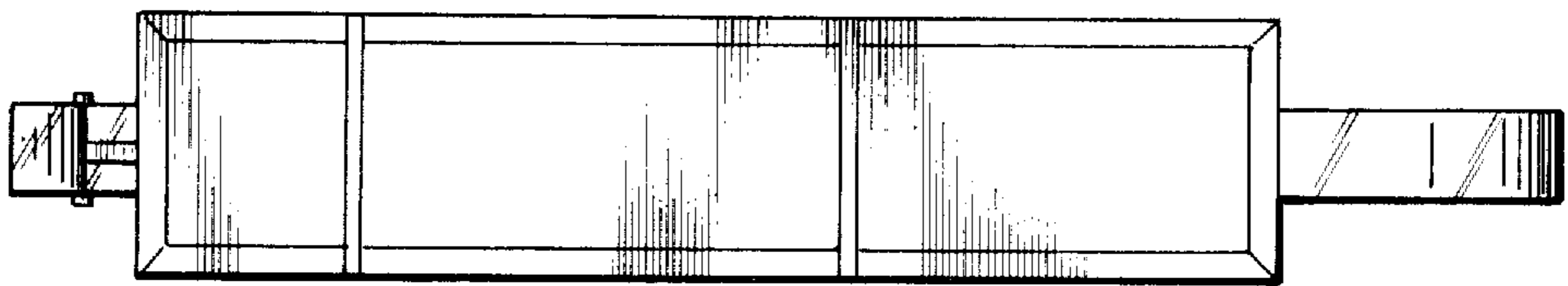


FIG 3

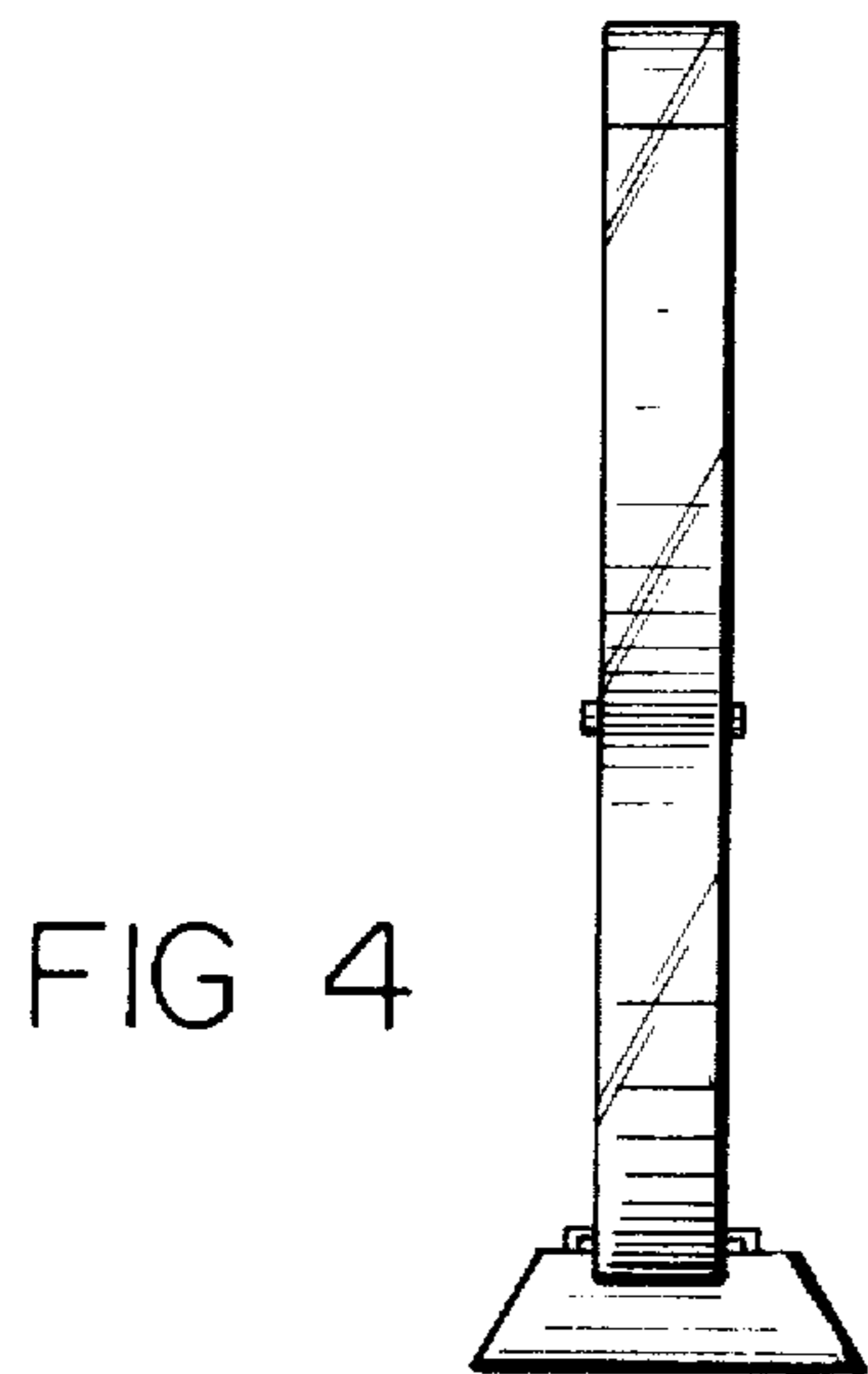


FIG 4

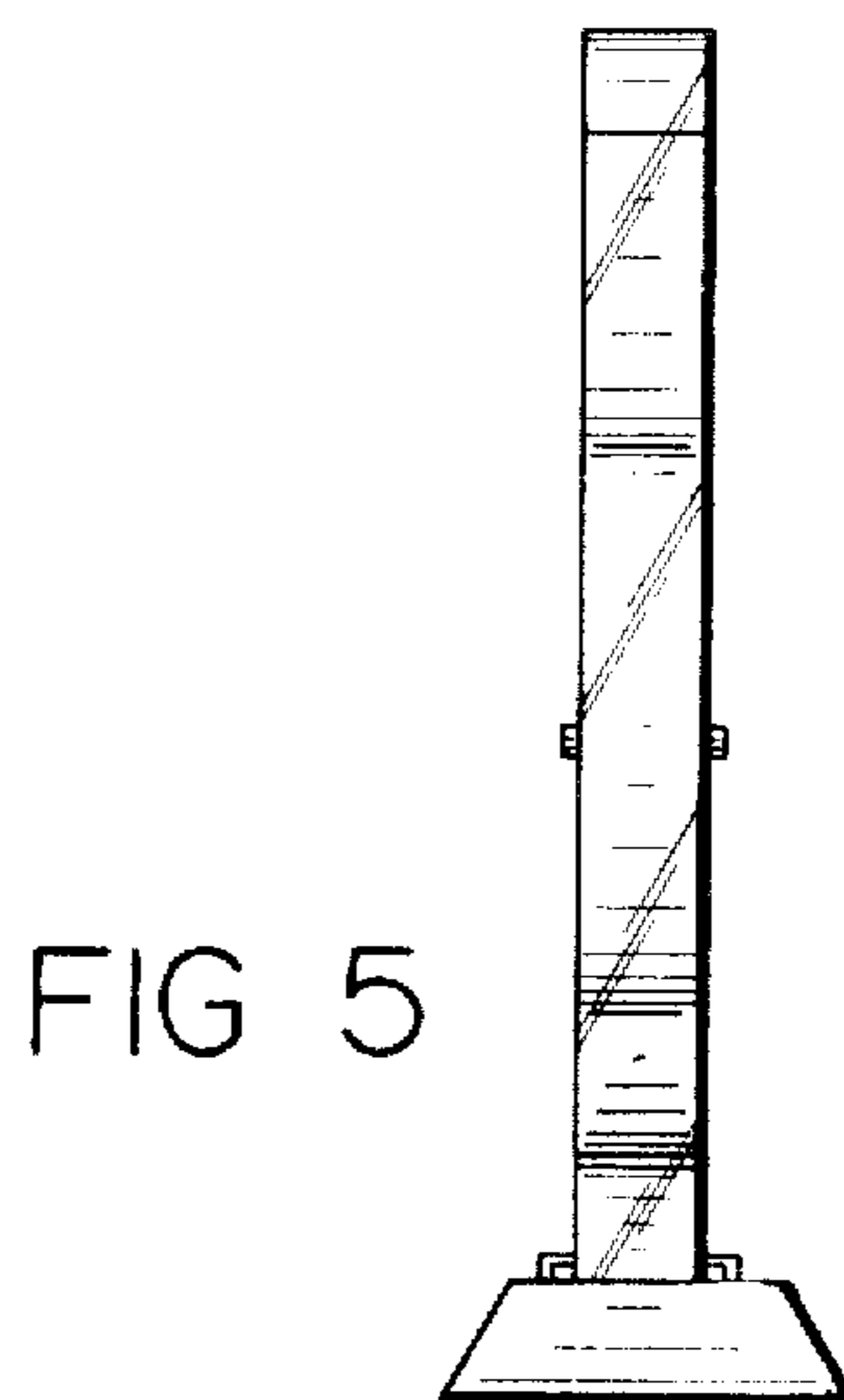


FIG 5