

[54] LAPAROTOMY SPONGE CONTAINER

[75] Inventor: C. Eric Olsen, Oxnard, Calif.

[73] Assignee: Auburn Enterprises, Inc., Ventura, Calif.

[\*\*] Term: 14 Years

[21] Appl. No.: 66,690

[22] Filed: Aug. 15, 1979

[51] Int. Cl. .... D24-02

[52] U.S. Cl. .... D24/31; D9/341; D24/56

[58] Field of Search ..... D99/50; D9/341, 347, D9/348, 345; D24/31, 56; 206/362, 970, 63.5

[56] References Cited

U.S. PATENT DOCUMENTS

- D. 195,392 6/1963 Parkison ..... D24/31
- D. 224,671 8/1972 Eddy ..... D24/31

- D. 225,466 12/1972 Miller ..... D24/31
- D. 242,654 12/1976 Rawls ..... D99/50 X
- 3,976,195 8/1976 Cohen ..... 206/362
- 4,008,802 2/1977 Freitag ..... 206/63.3
- 4,168,001 9/1979 Horvath et al. .... 206/63.3
- 4,190,153 2/1980 Olsen ..... 206/362

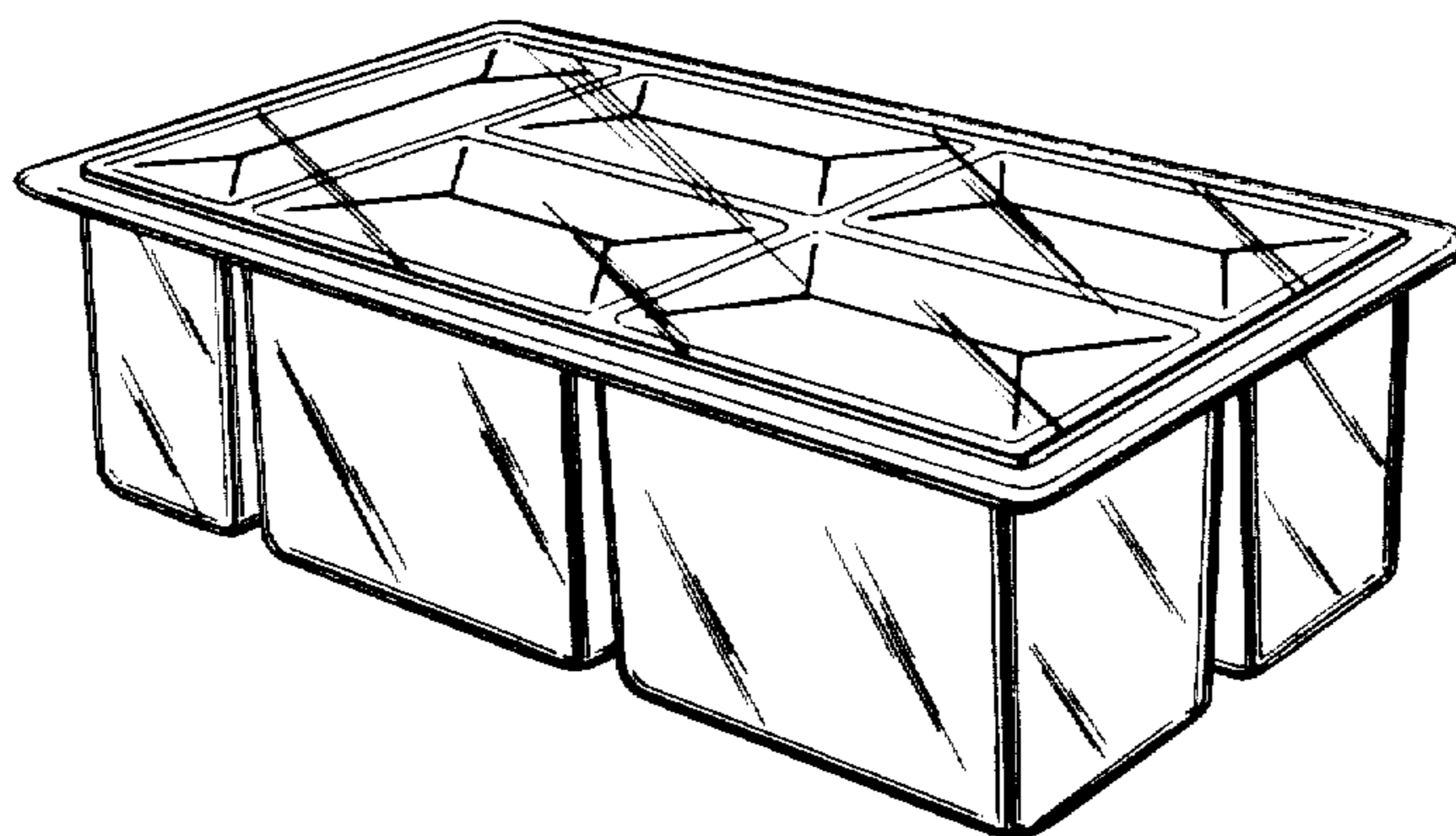
Primary Examiner—Bernard Ansher  
Attorney, Agent, or Firm—Jack C. Munro

[57] CLAIM

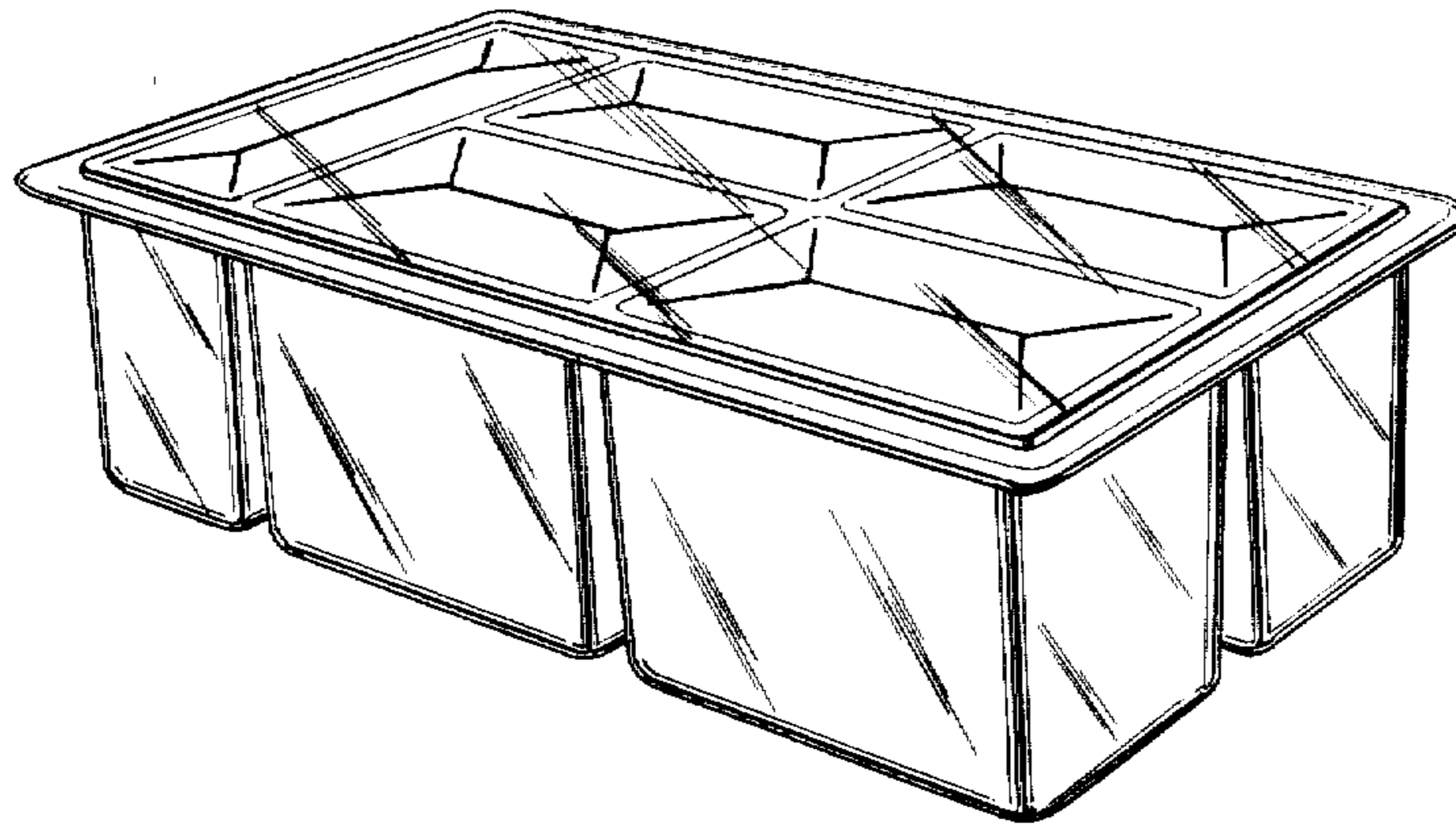
The ornamental design for a laparotomy sponge container, as substantially shown and described.

DESCRIPTION

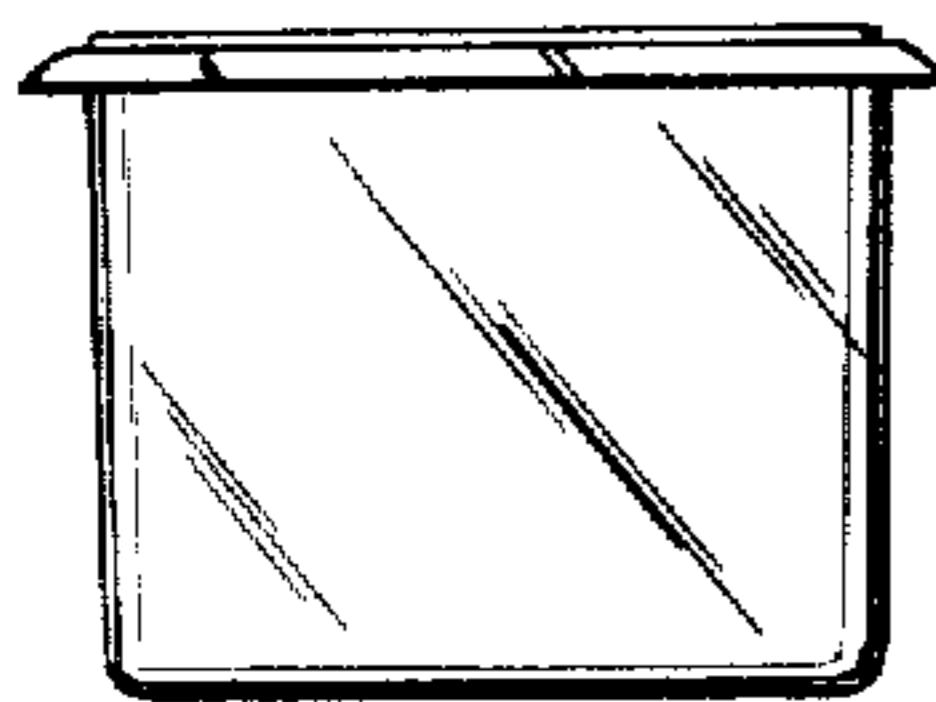
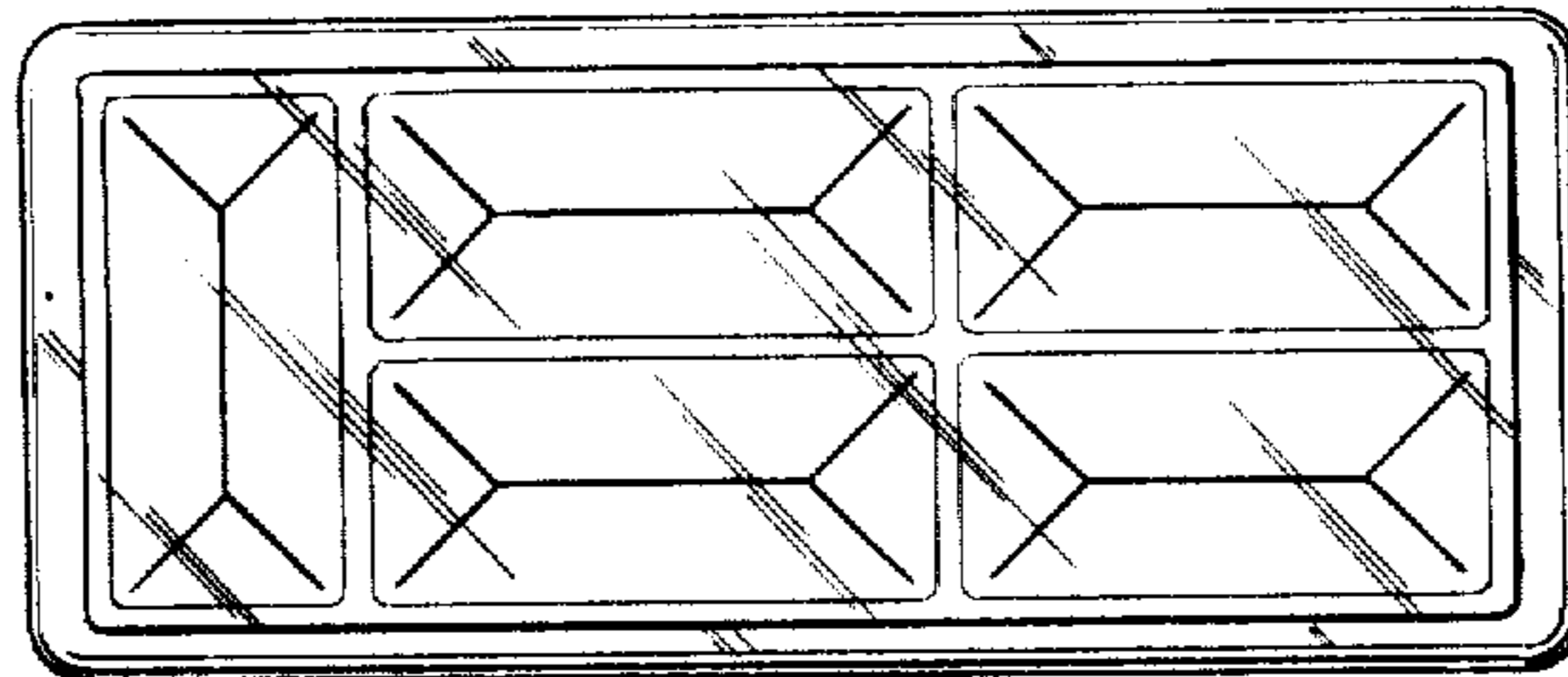
FIG. 1 is an isometric view of the laparotomy sponge container showing my new design; FIG. 2 is a top plan view thereof; FIG. 3 is a front view thereof; FIG. 4 is a left side view thereof; FIG. 5 is a right side view thereof; and FIG. 6 is a bottom plan view thereof.



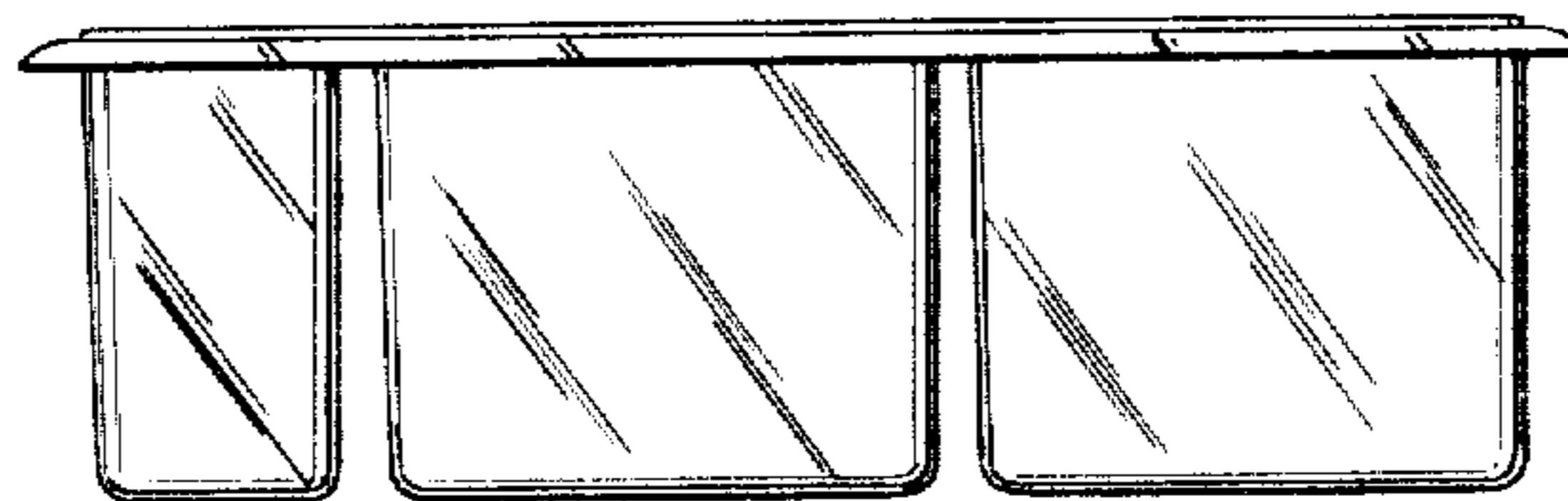
*Fig. 1*



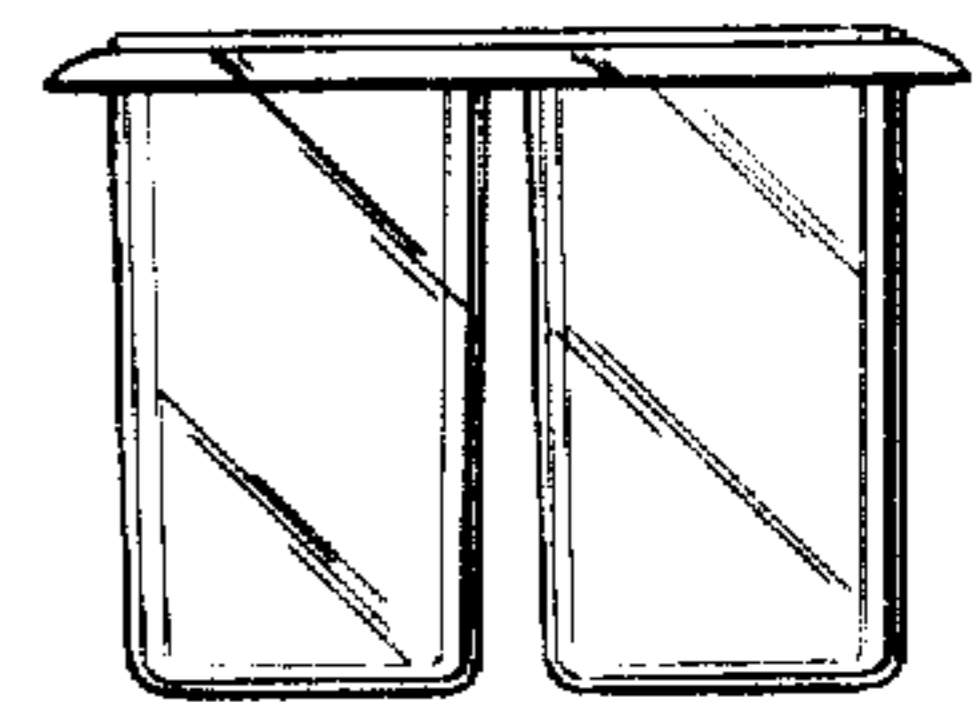
*Fig. 2*



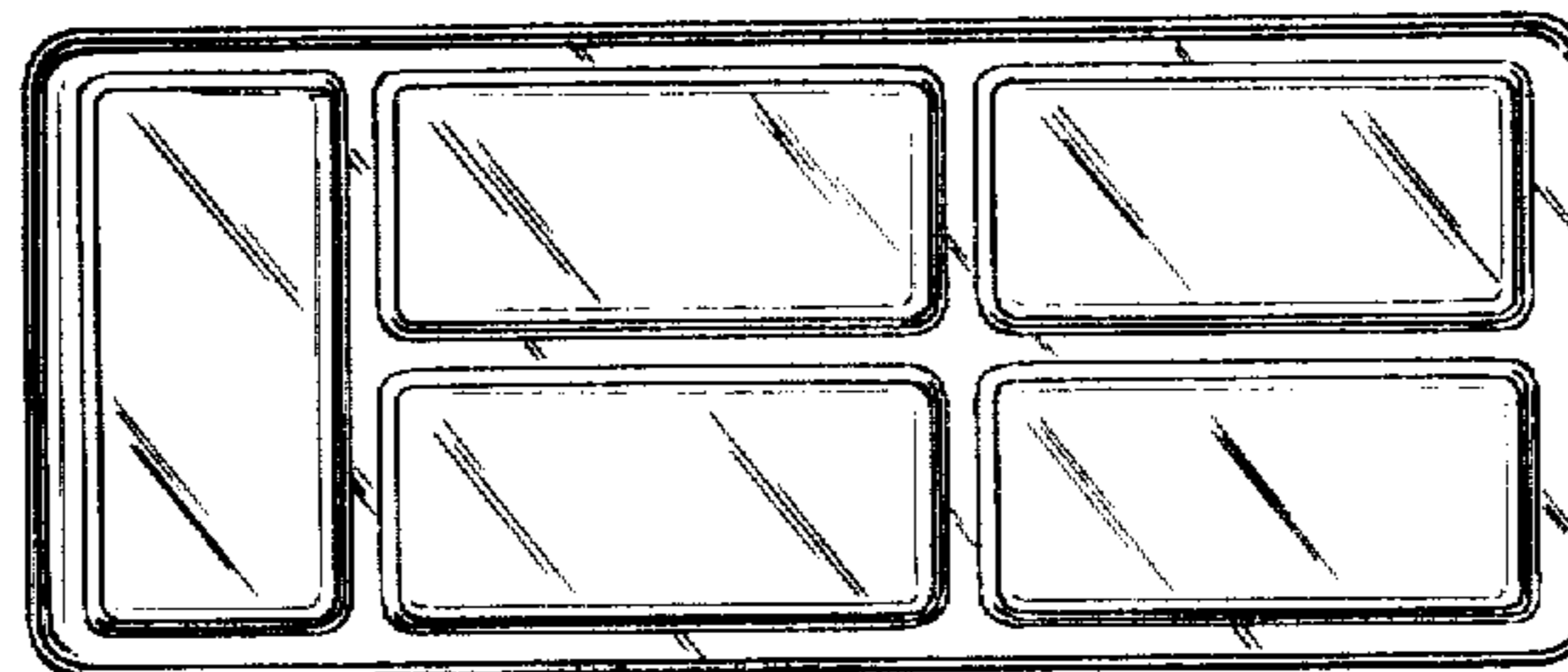
*Fig. 4*



*Fig. 3*



*Fig. 5*



*Fig. 6*