

[54] MEDICINAL SPONGE CONTAINER

[75] Inventor: C. Eric Olsen, Oxnard, Calif.

[73] Assignee: Auburn Enterprises, Inc., Ventura, Calif.

[\*\*] Term: 14 Years

[21] Appl. No.: 66,689

[22] Filed: Aug. 15, 1979

[51] Int. Cl. .... D14-03

[52] U.S. Cl. .... D24/31; D9/341; D9/425

[58] Field of Search ..... 206/362, 370, 63.5; D9/341, 347, 348, 345, 425; D99/50; D24/31, 56

[56] References Cited

U.S. PATENT DOCUMENTS

D. 195,392	6/1963	Parkison	.....	D24/31
D. 224,671	8/1972	Eddy	.....	D24/31
D. 225,466	12/1972	Miller	.....	D24/31
D. 242,654	12/1976	Rawls	.....	D99/50
3,976,195	8/1976	Cohen	.....	206/362

4,008,802	2/1977	Freitag	.....	206/63.3
4,168,001	9/1979	Horvath et al.	.....	206/63.3
4,190,153	2/1980	Olsen	.....	206/362

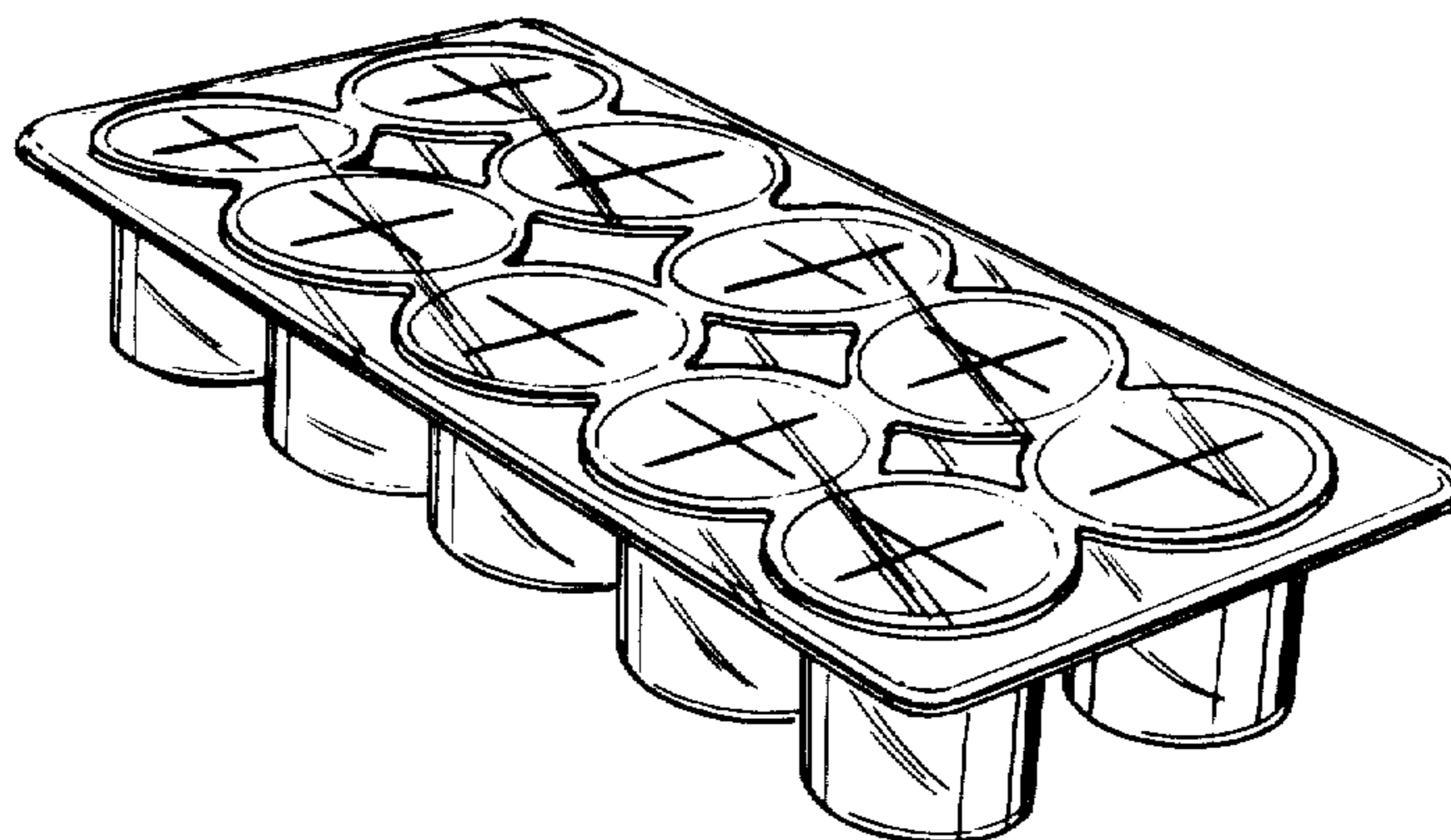
Primary Examiner—Bernard Ansher  
Attorney, Agent, or Firm—Jack C. Munro

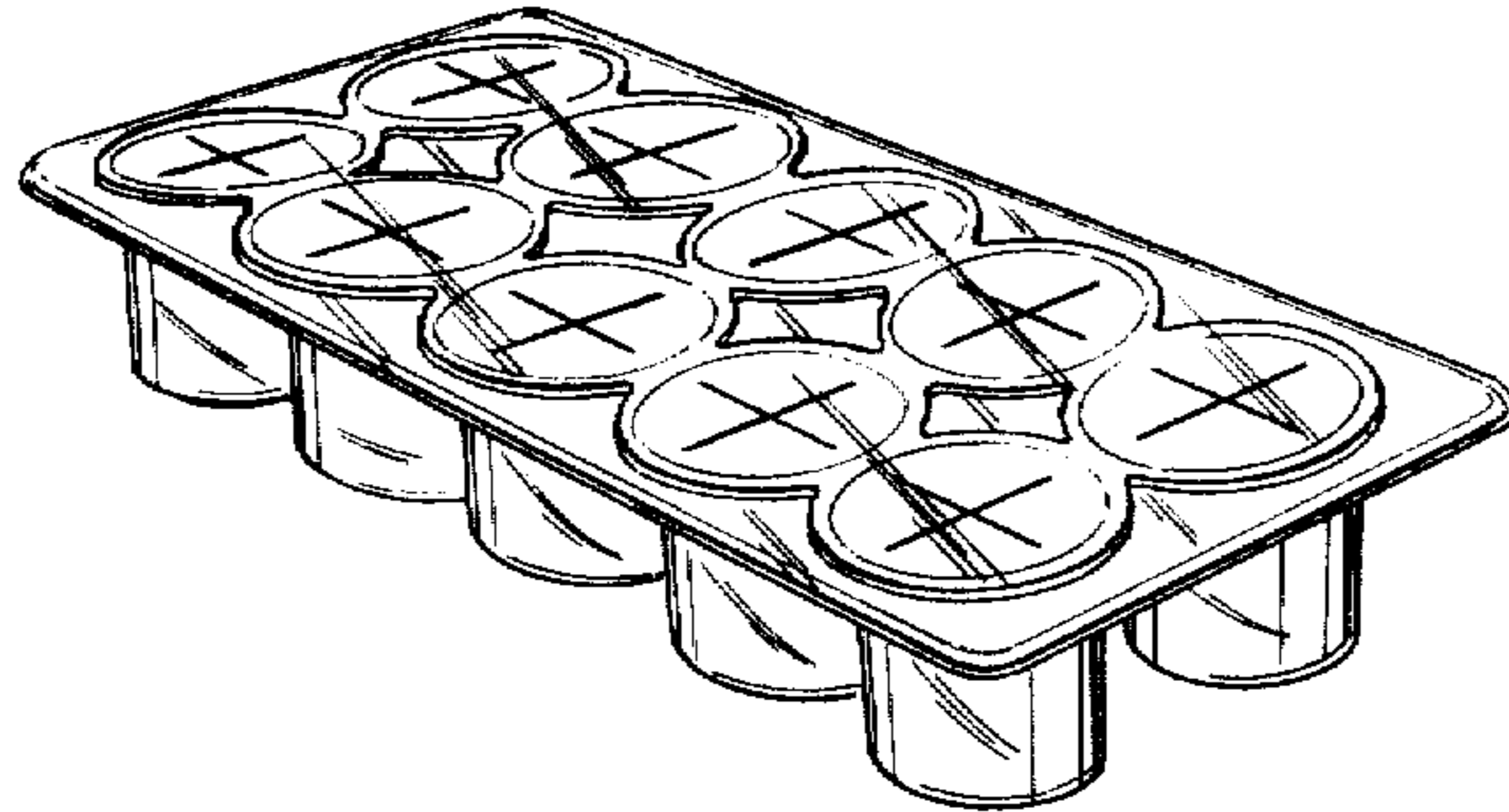
[57] CLAIM

The ornamental design for a medicinal sponge container, as substantially shown and described.

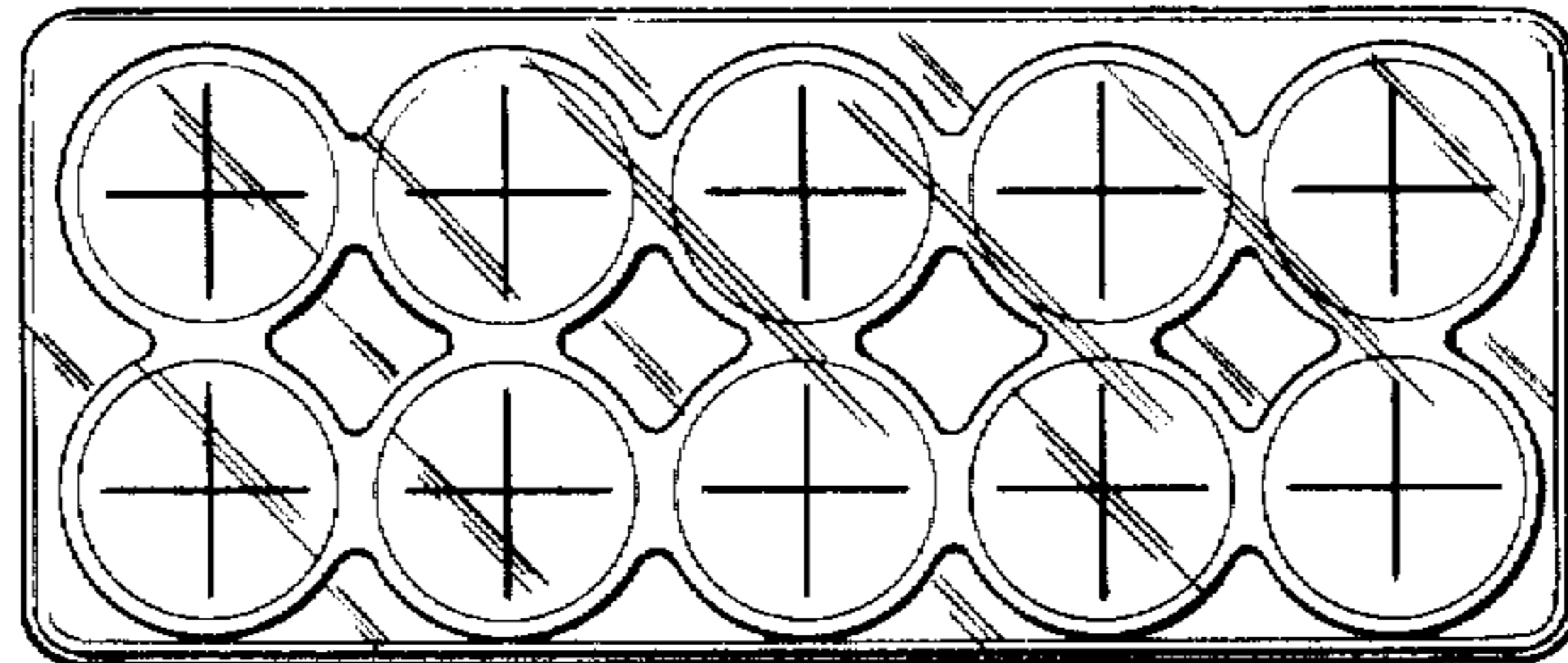
DESCRIPTION

FIG. 1 is an isometric view of the medicinal sponge container showing my new design; FIG. 2 is a top plan view thereof; FIG. 3 is a front view thereof; FIG. 4 is a left side view thereof; FIG. 5 is a right side view thereof; FIG. 6 is a bottom view thereof; FIG. 7 is an isometric view of a modified form of my design of the medicinal sponge container; FIG. 8 is a top plan view of my design of FIG. 7; FIG. 9 is a front view of my design of FIG. 7; FIG. 10 is a left side view of the design of FIG. 7; FIG. 11 is a right side view of the design of FIG. 7; and FIG. 12 is a bottom view of my design of FIG. 7.

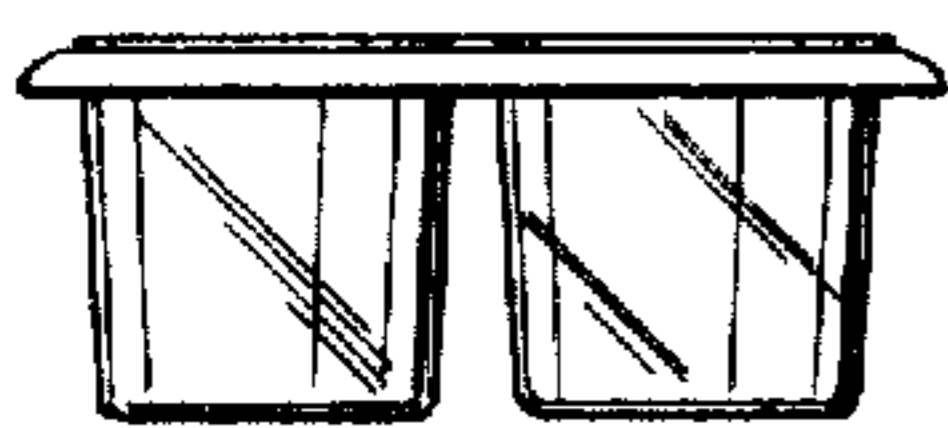




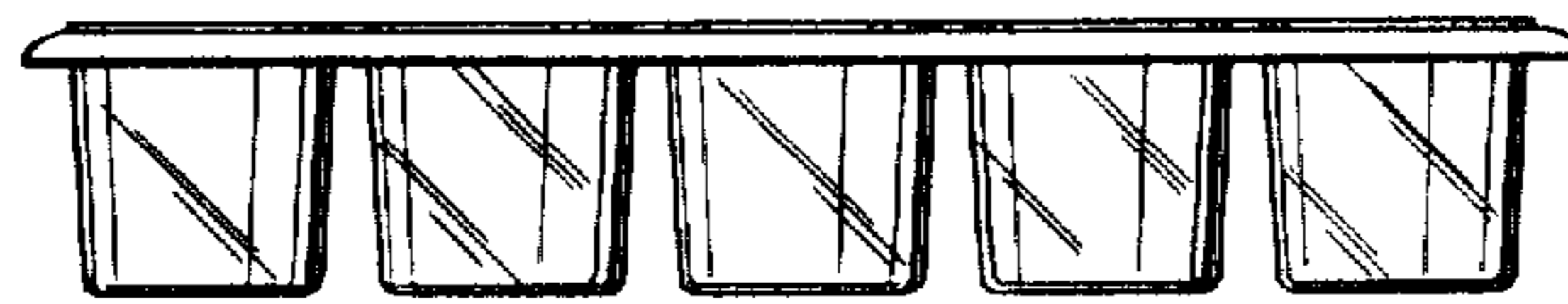
*Fig. 1*



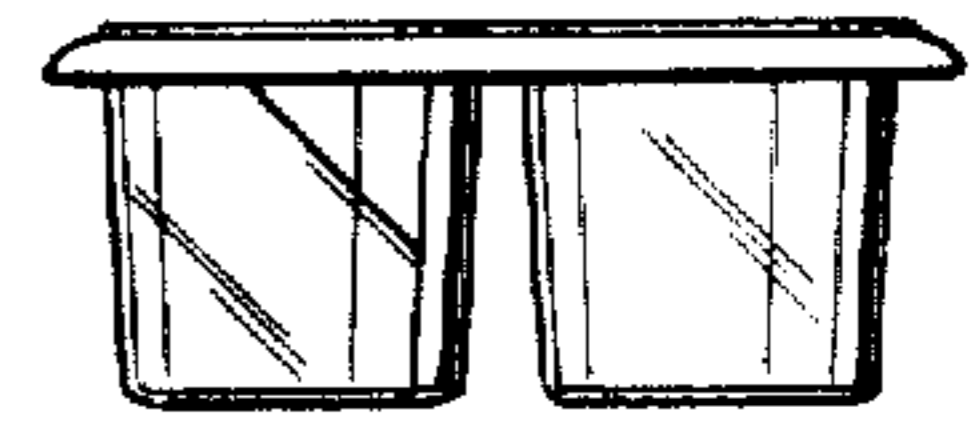
*Fig. 2*



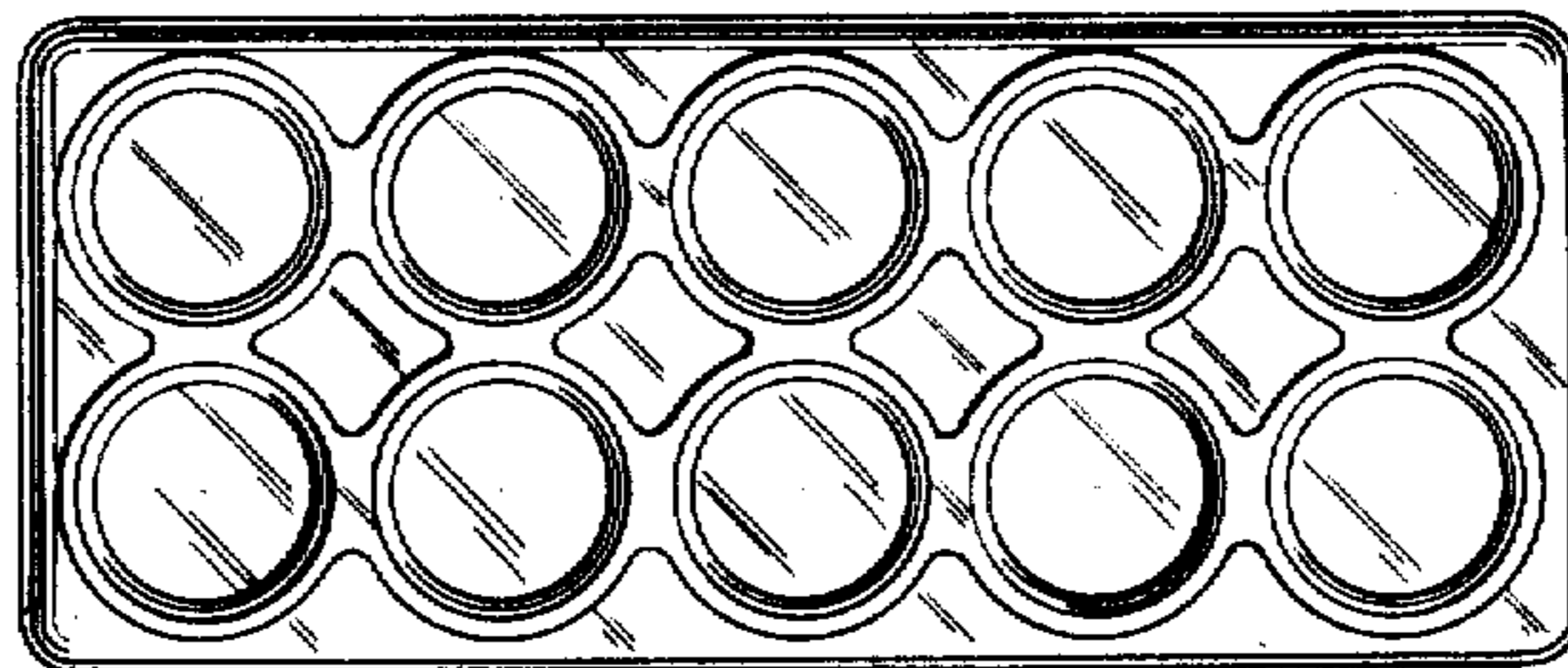
*Fig. 4*



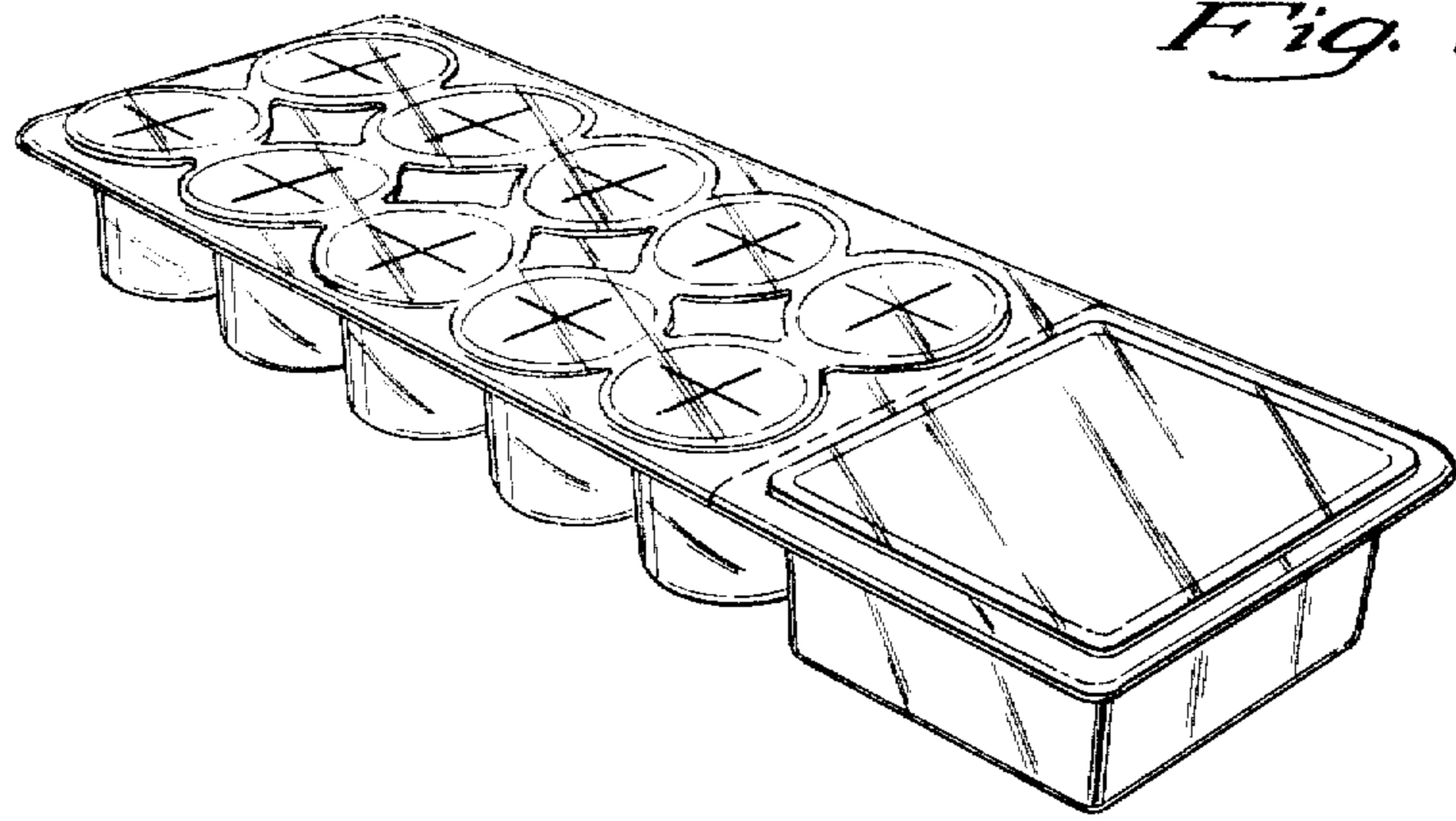
*Fig. 3*



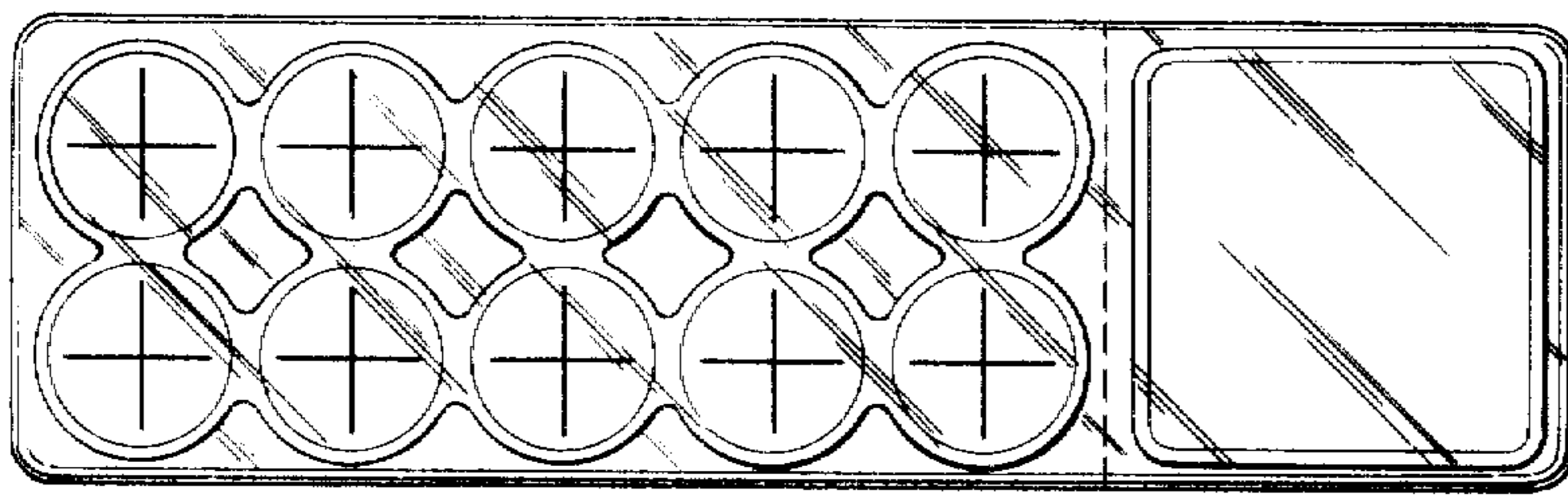
*Fig. 5*



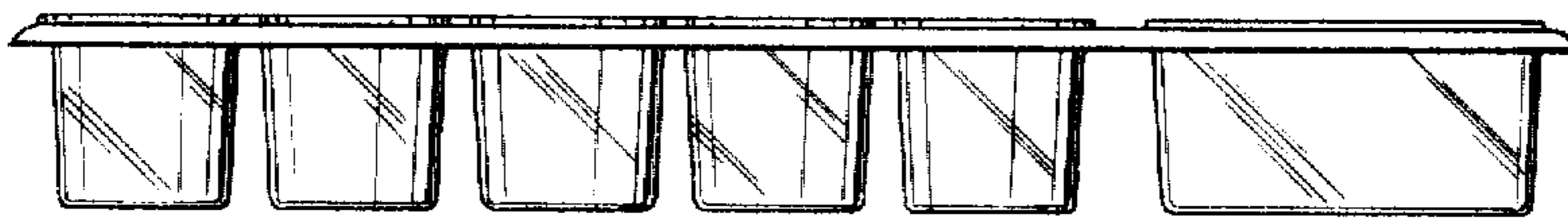
*Fig. 6*



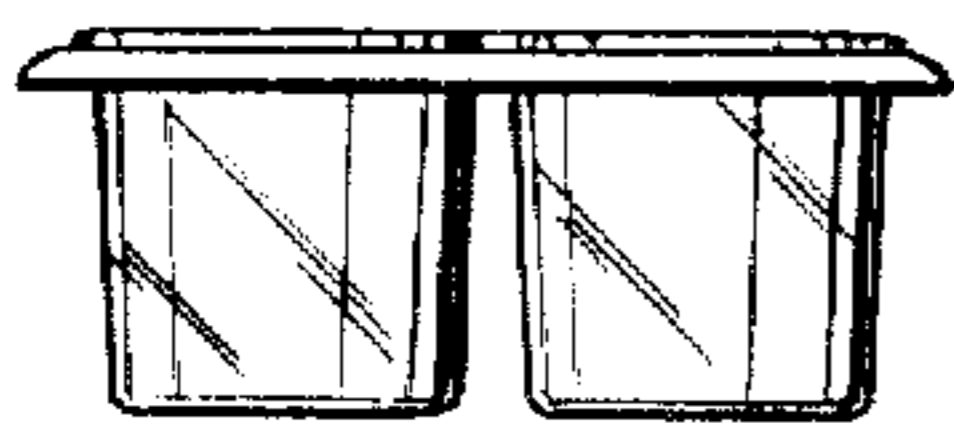
*Fig. 7*



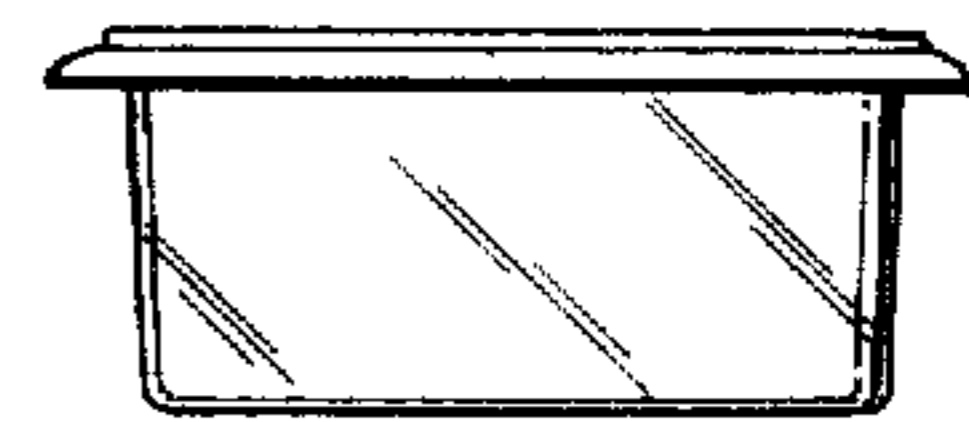
*Fig. 8*



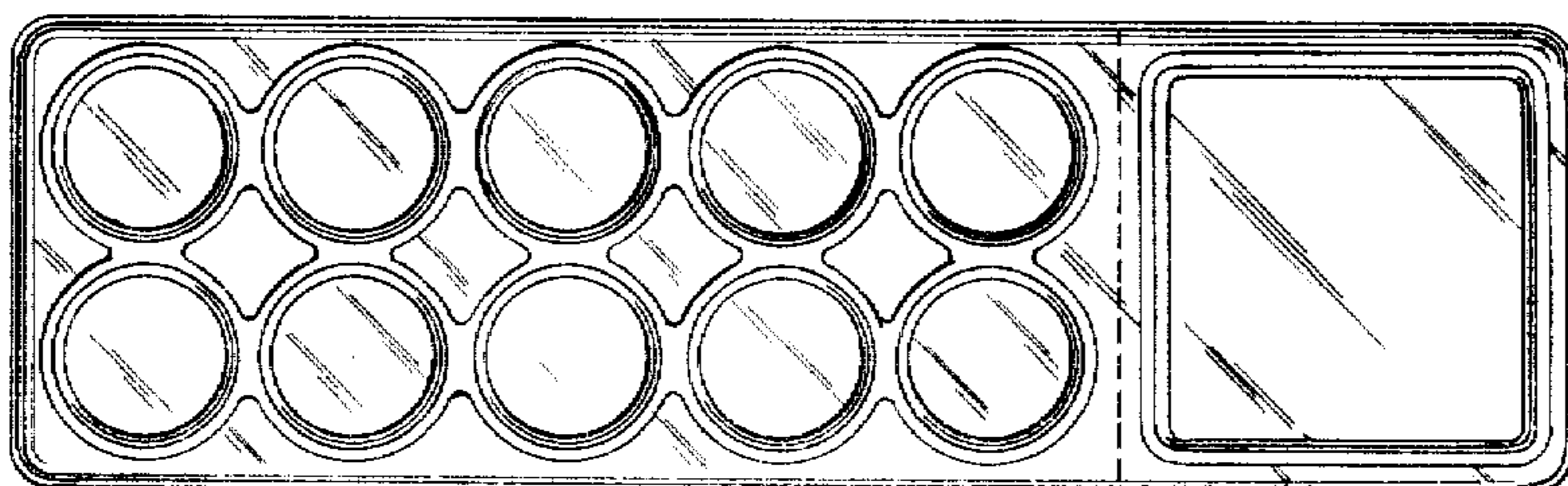
*Fig. 9*



*Fig. 10*



*Fig. 11*



*Fig. 12*