

[54] EXERCISER

[75] Inventors: Raymond L. McCaleb, Edina; Johnnie W. Norwood, Minneapolis, both of Minn.

[73] Assignee: Normac, Inc., Edina, Minn.

[**] Term: 14 Years

[21] Appl. No.: 75,748

[22] Filed: Sep. 14, 1979

[51] Int. Cl. D21-02

[52] U.S. Cl. D21/198

[58] Field of Search D21/191, 195, 196, 197, D21/198, 199; 272/67, 68, 118, 117

[56] References Cited

U.S. PATENT DOCUMENTS

D. 224,935	10/1972	Winger	D21/198
2,475,656	7/1949	Bidak	272/67
2,973,962	3/1961	Griffin	272/67

OTHER PUBLICATIONS

American Bicyclist & Motorcyclist, 10-1958, p. 18, Item #5, Grip.

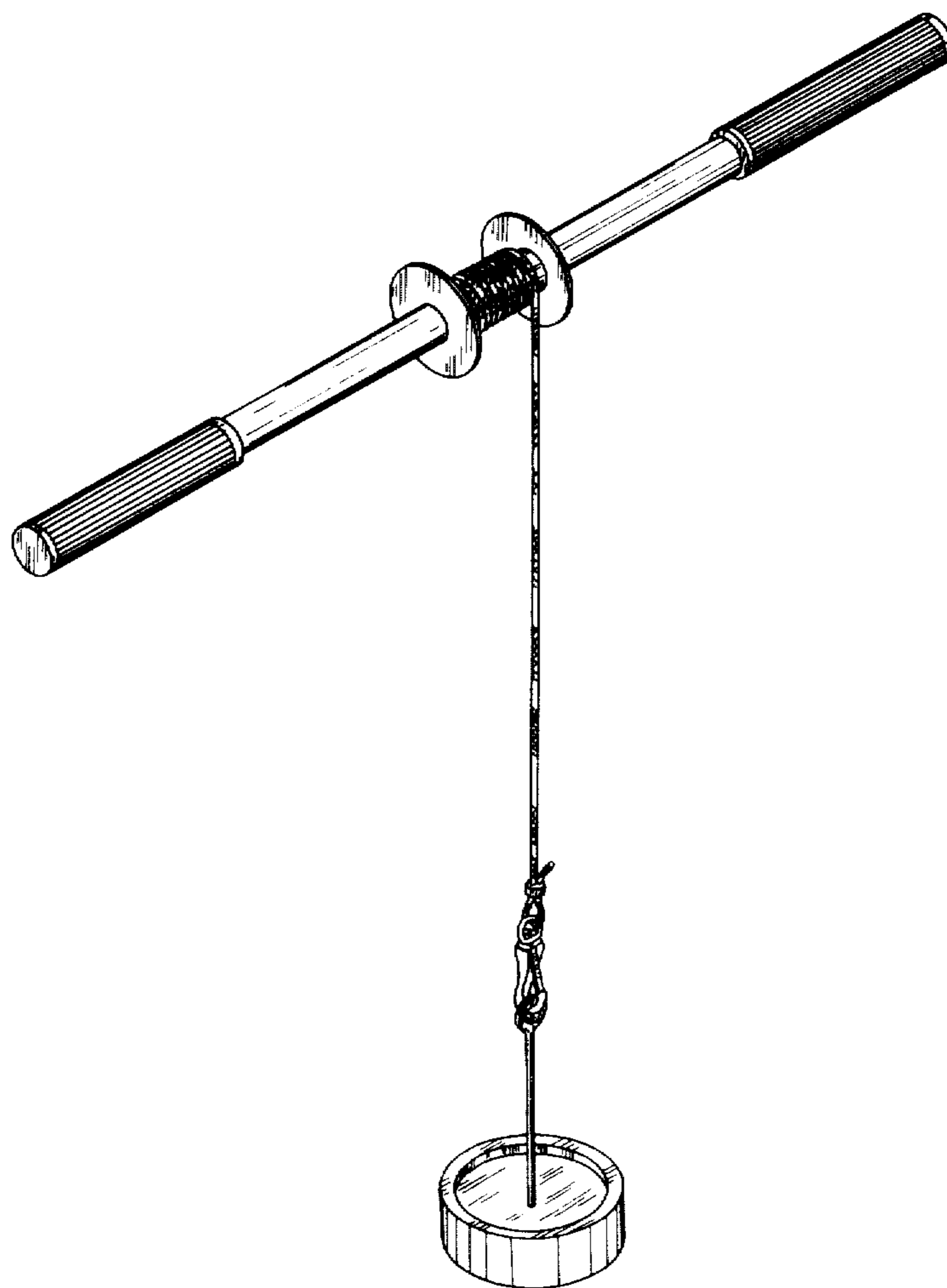
Primary Examiner—Charles A. Rademaker
Attorney, Agent, or Firm—Orrin M. Haugen; Thomas J. Nikolai

[57] CLAIM

The ornamental design for an exerciser, substantially as shown.

DESCRIPTION

FIG. 1 is a perspective view of an exerciser showing our new design;
FIG. 2 is a top plan view thereof;
FIG. 3 is a front elevational view thereof;
FIG. 4 is a rear elevational view thereof;
FIG. 5 is a right side elevational view thereof;
FIG. 6 is a left side elevational view thereof; and
FIG. 7 is a bottom plan view thereof.



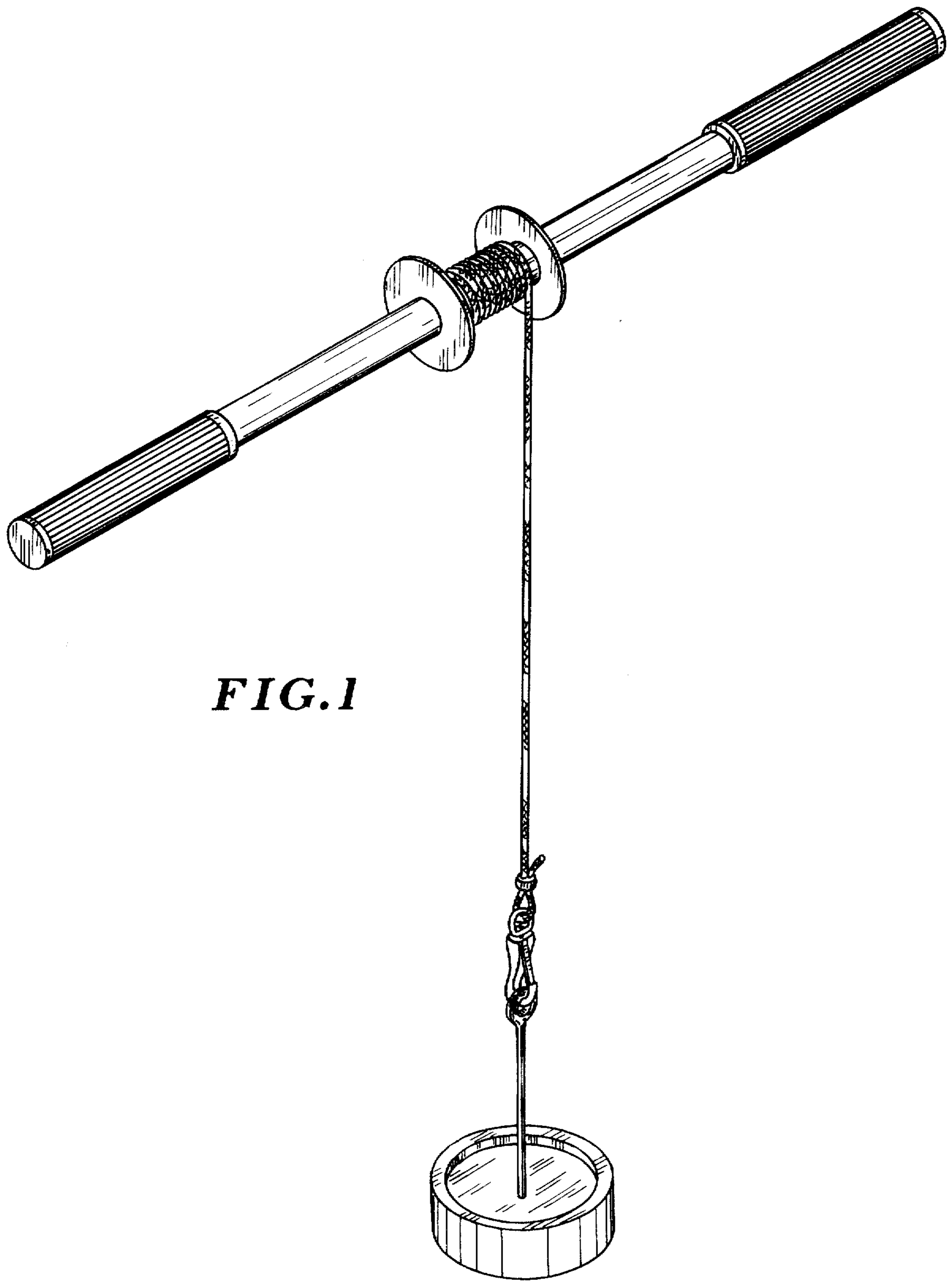


FIG. 1

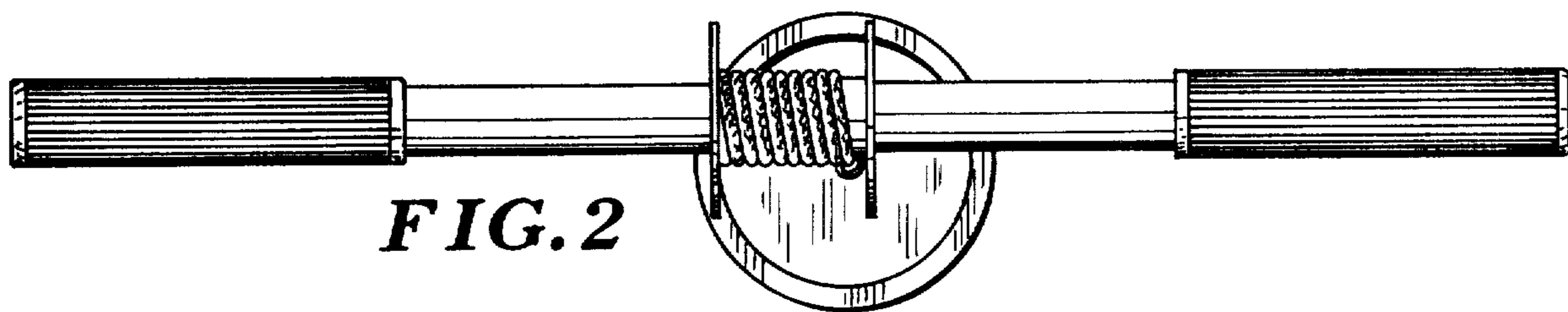


FIG. 2

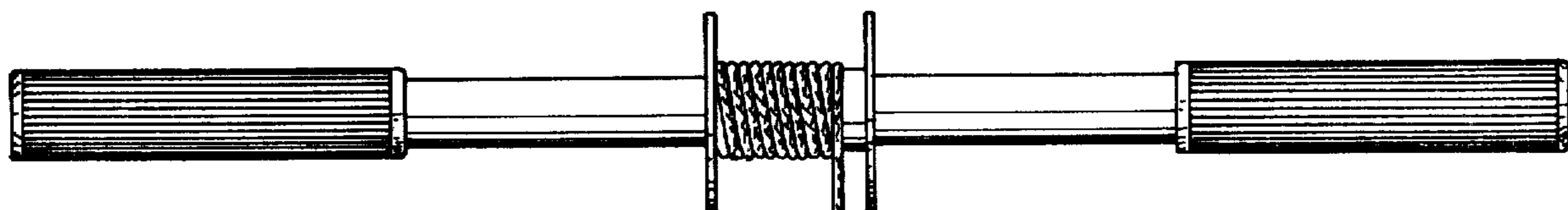


FIG. 3

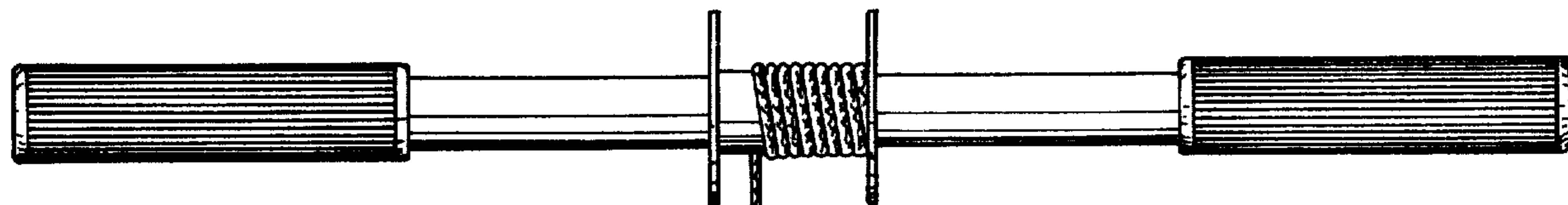


FIG. 4

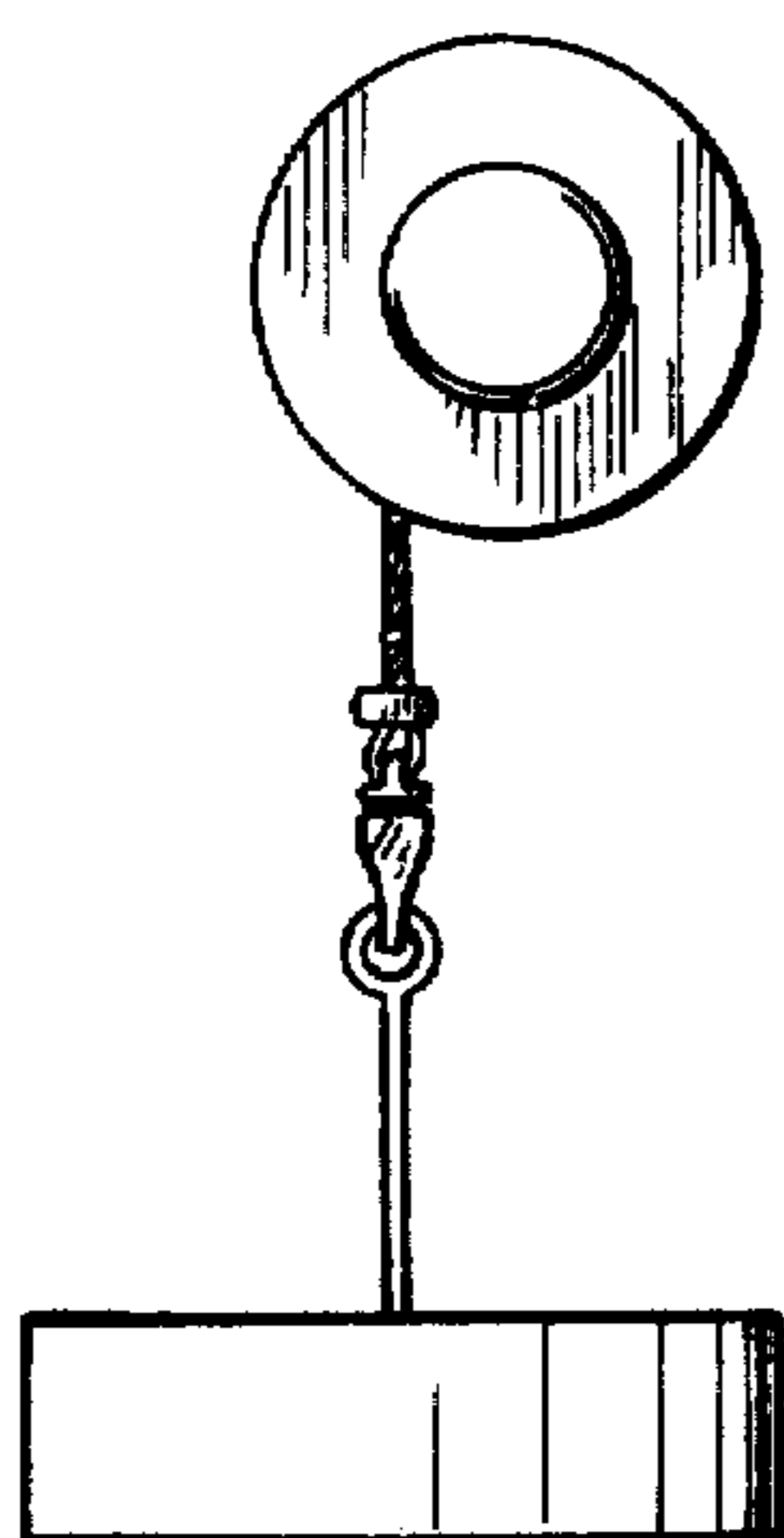


FIG. 5

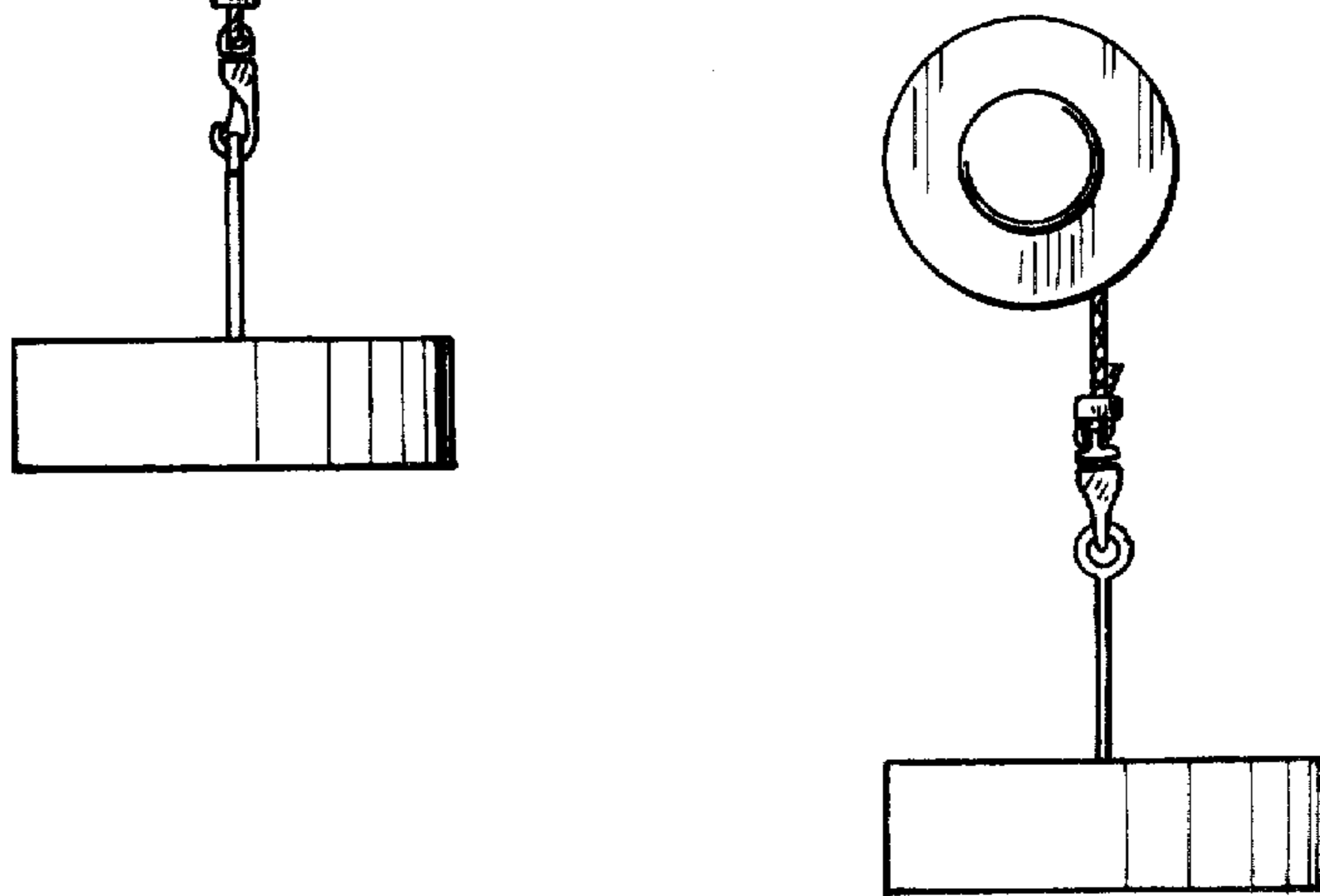


FIG. 6

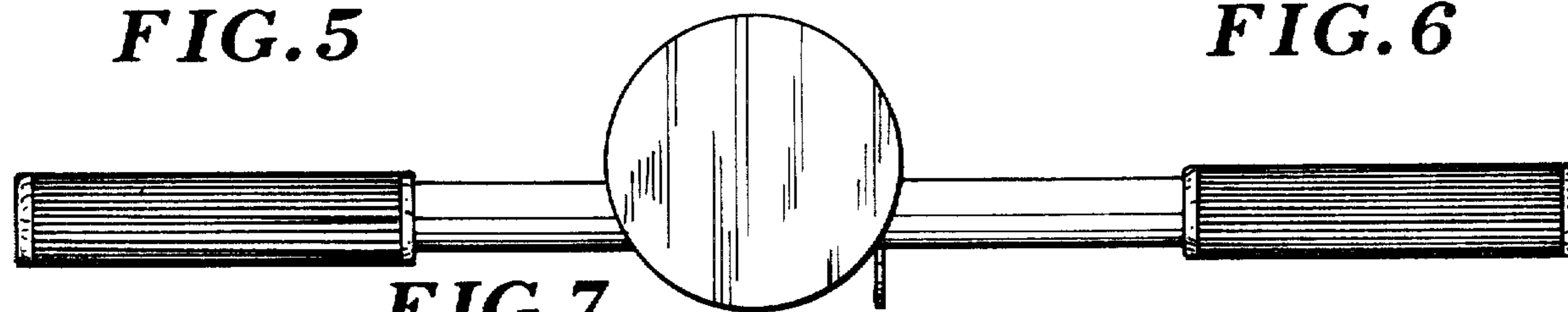


FIG. 7