

[54] BICYCLE EXERCISER

[75] Inventor: Jose L. Beistegui Chirapozu, Vitoria, Spain

[73] Assignee: Beistegui Hermanos, S.A., Vitoria, Spain

[\*\*] Term: 14 Years

[21] Appl. No.: 69,109

[22] Filed: Aug. 21, 1979

[51] Int. Cl. .... D21-02

[52] U.S. Cl. .... D21/194

[58] Field of Search ..... D21/191, 192, 193, 194, D21/199; 272/109, 73, 194, 132

[56] References Cited

U.S. PATENT DOCUMENTS

D. 250,135	10/1978	Moyski et al. ....	D21/194
D. 251,309	3/1979	Nelson .....	D21/194
3,940,128	2/1976	Ragone .....	272/73
4,007,927	2/1977	Proctor .....	272/132

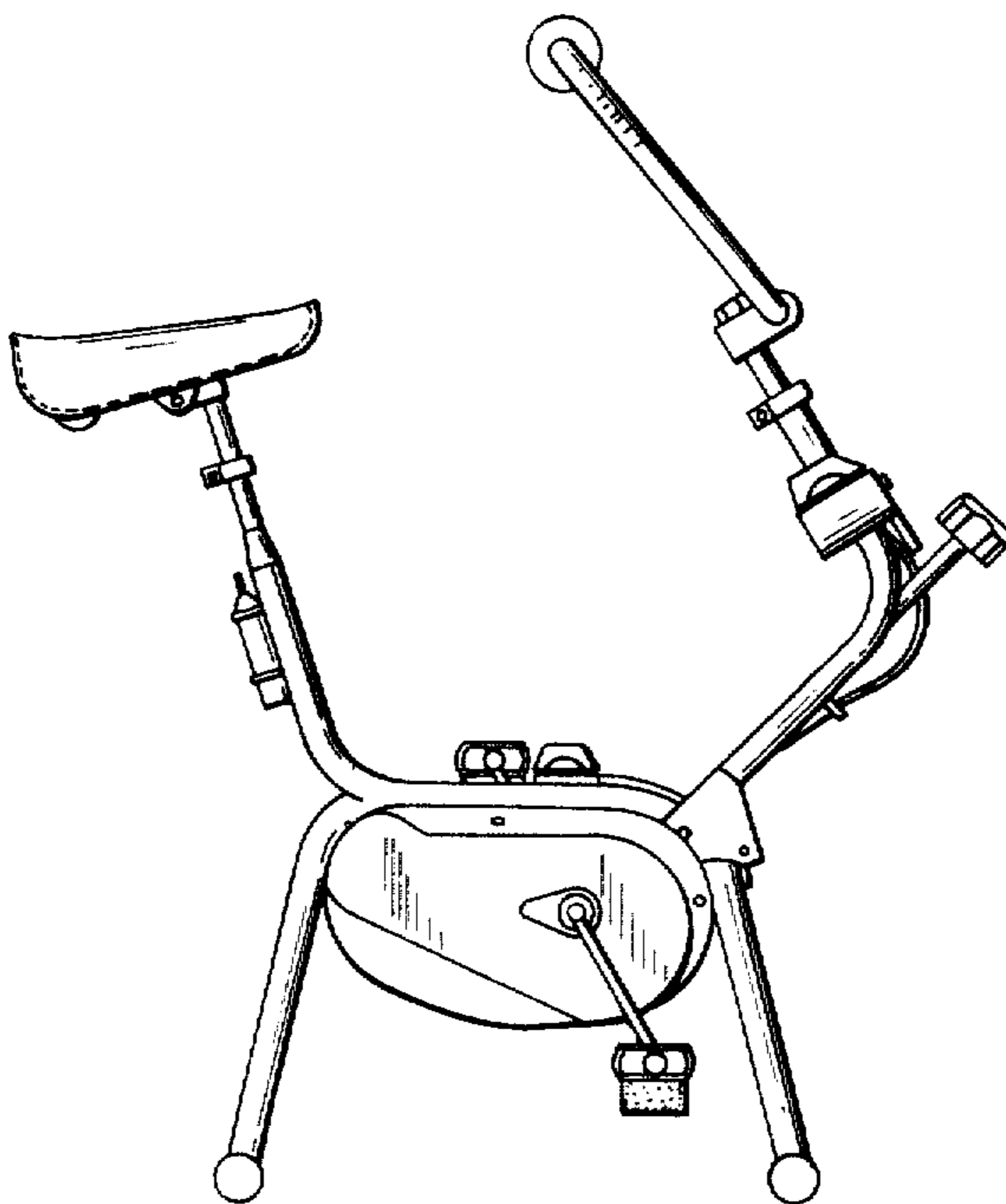
Primary Examiner—Charles A. Rademaker  
Attorney, Agent, or Firm—Wenderoth, Lind & Ponack

[57] CLAIM

The ornamental design for a bicycle exerciser, substantially as shown.

DESCRIPTION

FIG. 1 is a front elevational view of a bicycle exerciser showing my new design;  
FIG. 2 is a left side elevational view thereof;  
FIG. 3 is a top plan view thereof;  
FIG. 4 is a bottom plan view thereof;  
FIG. 5 is a rear elevational view thereof; and  
FIG. 6 is a right side elevational view thereof.



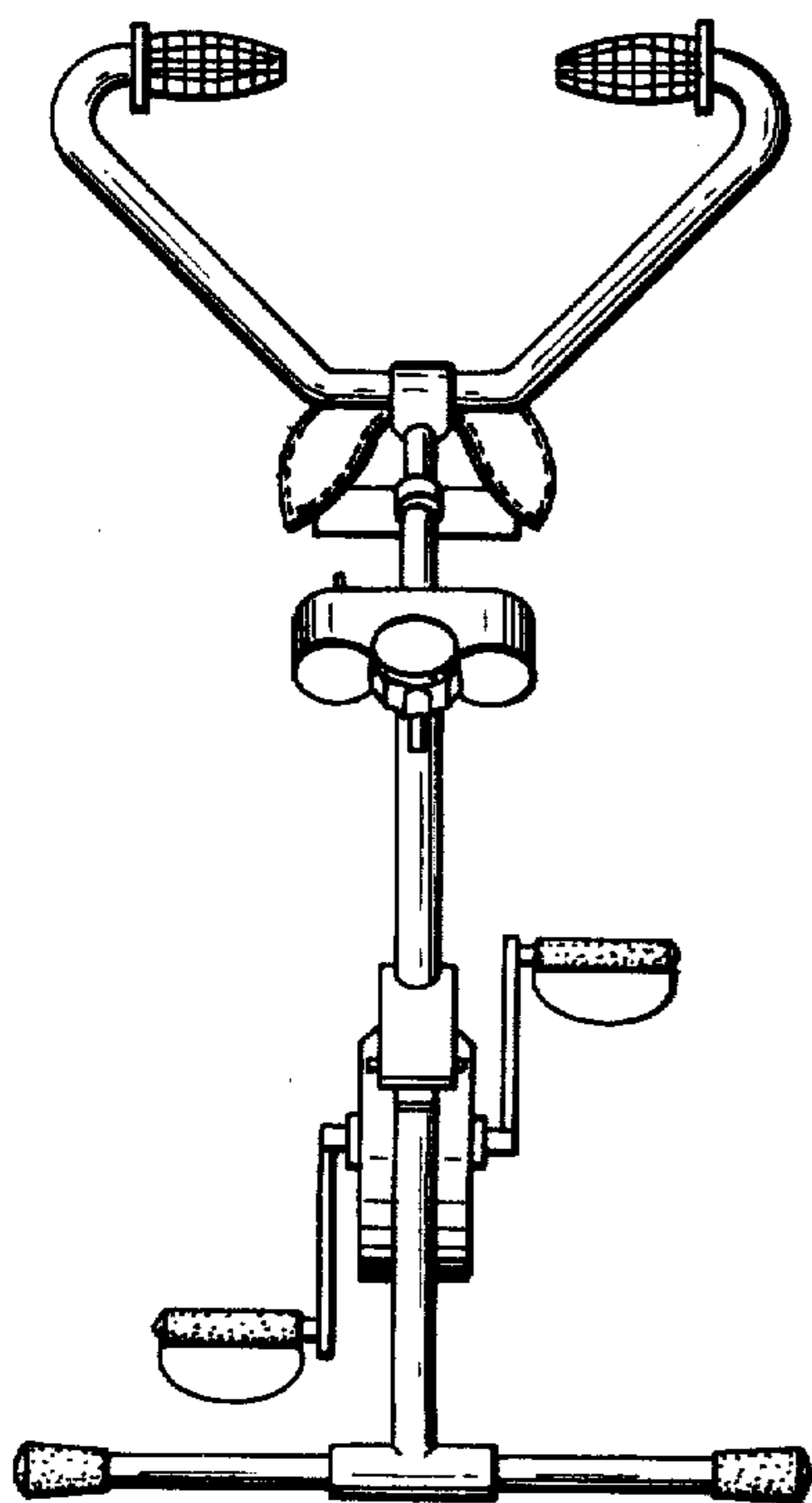


FIG. 1

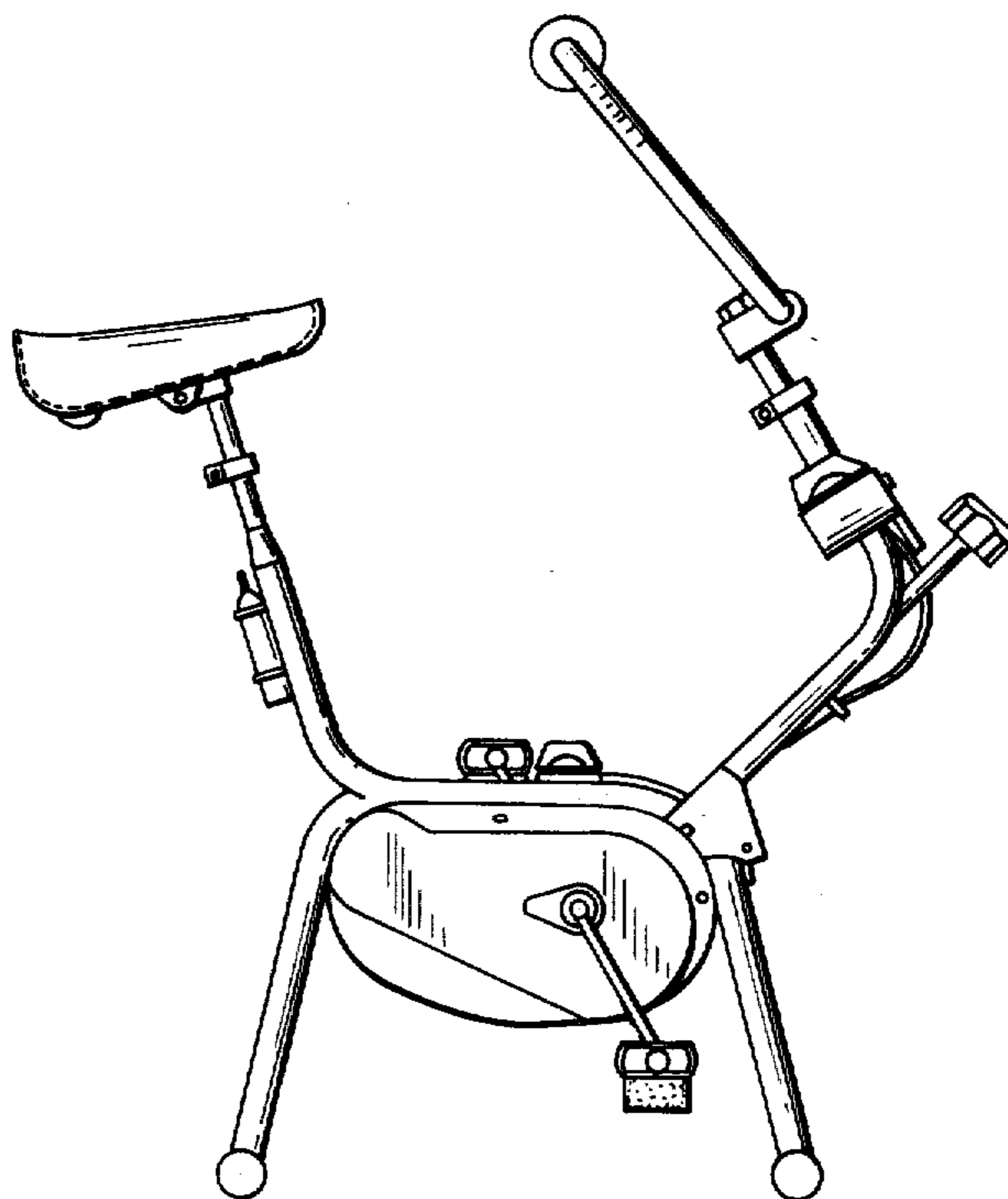


FIG. 2

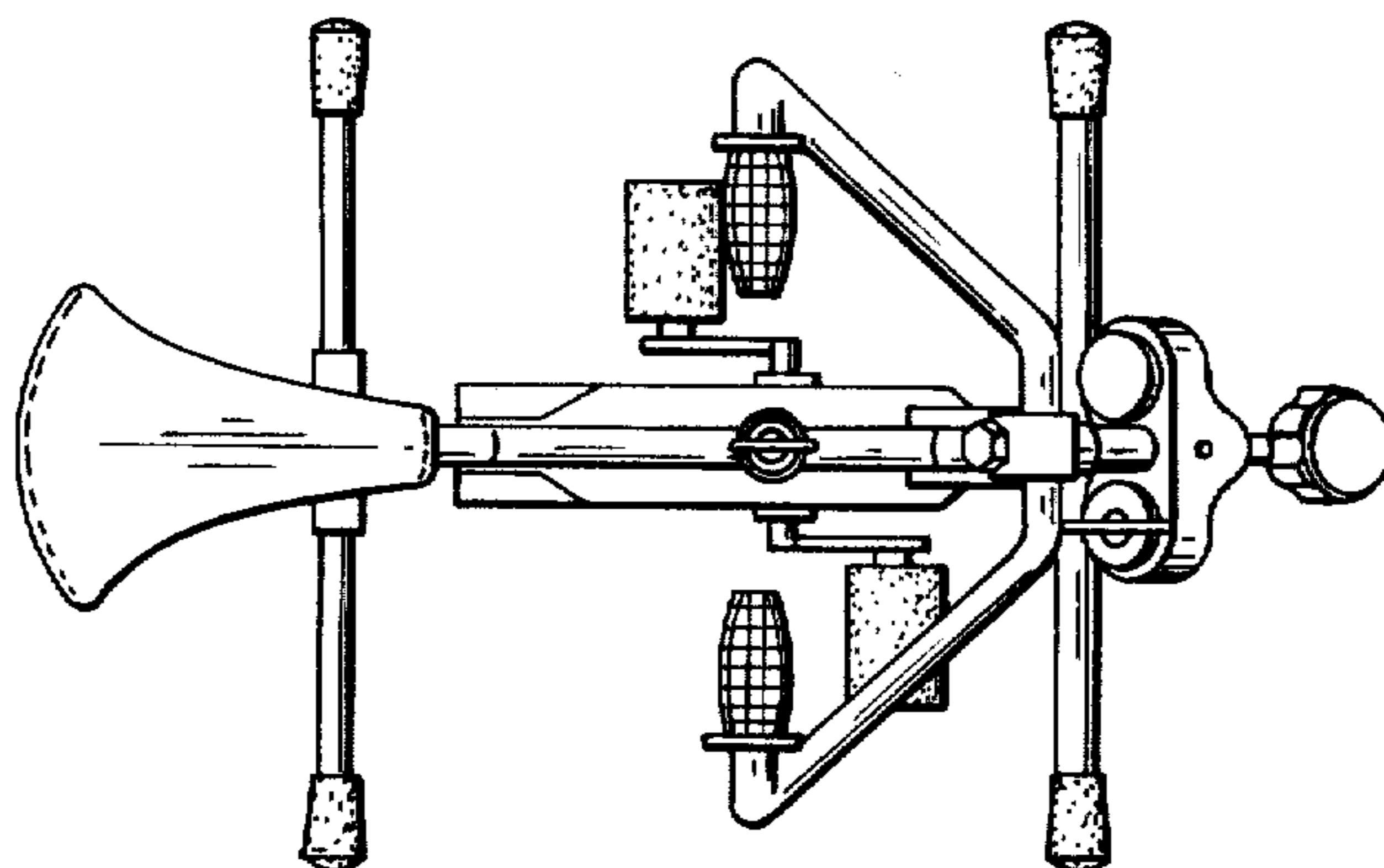


FIG. 3

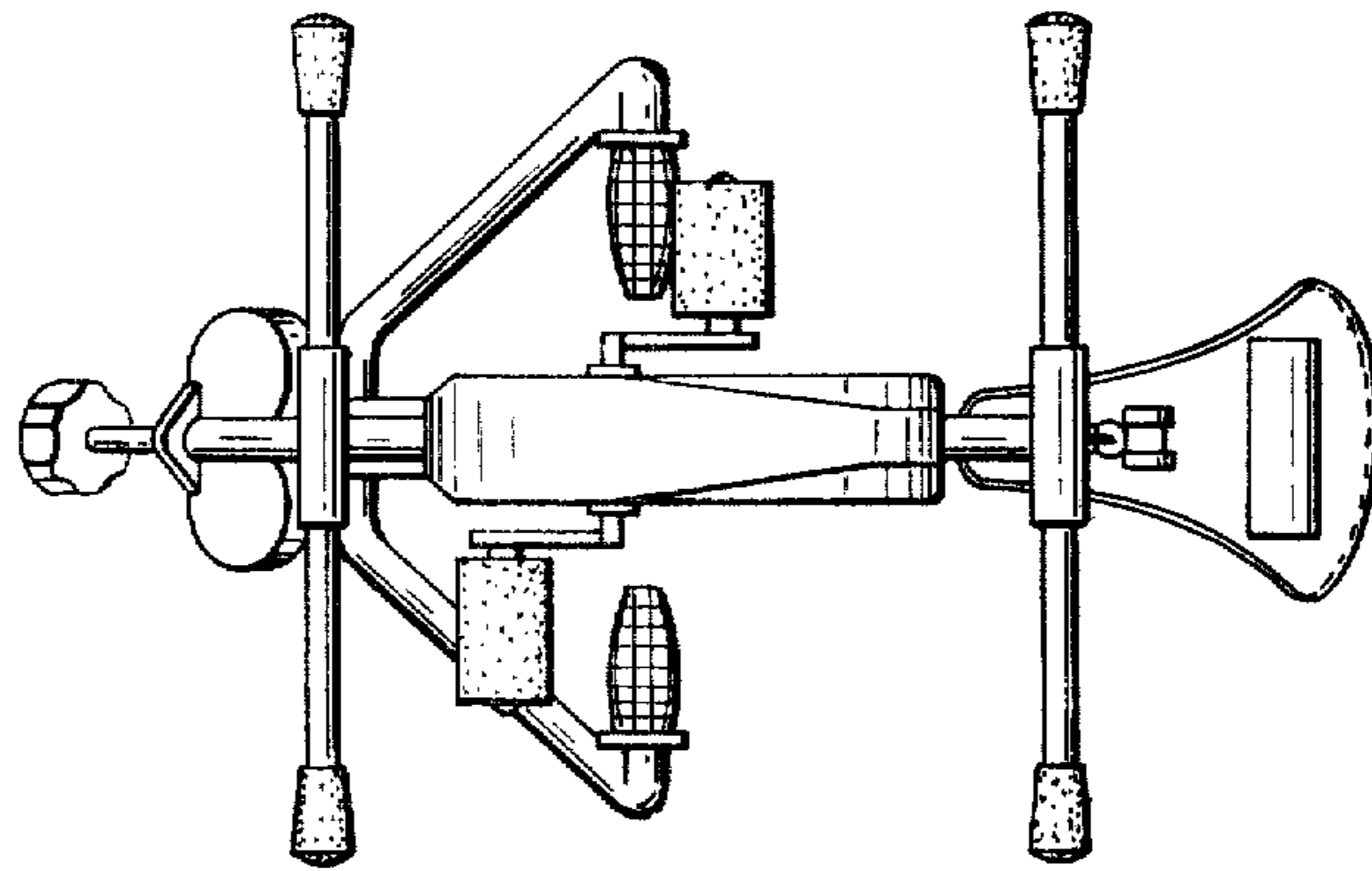


FIG. 4

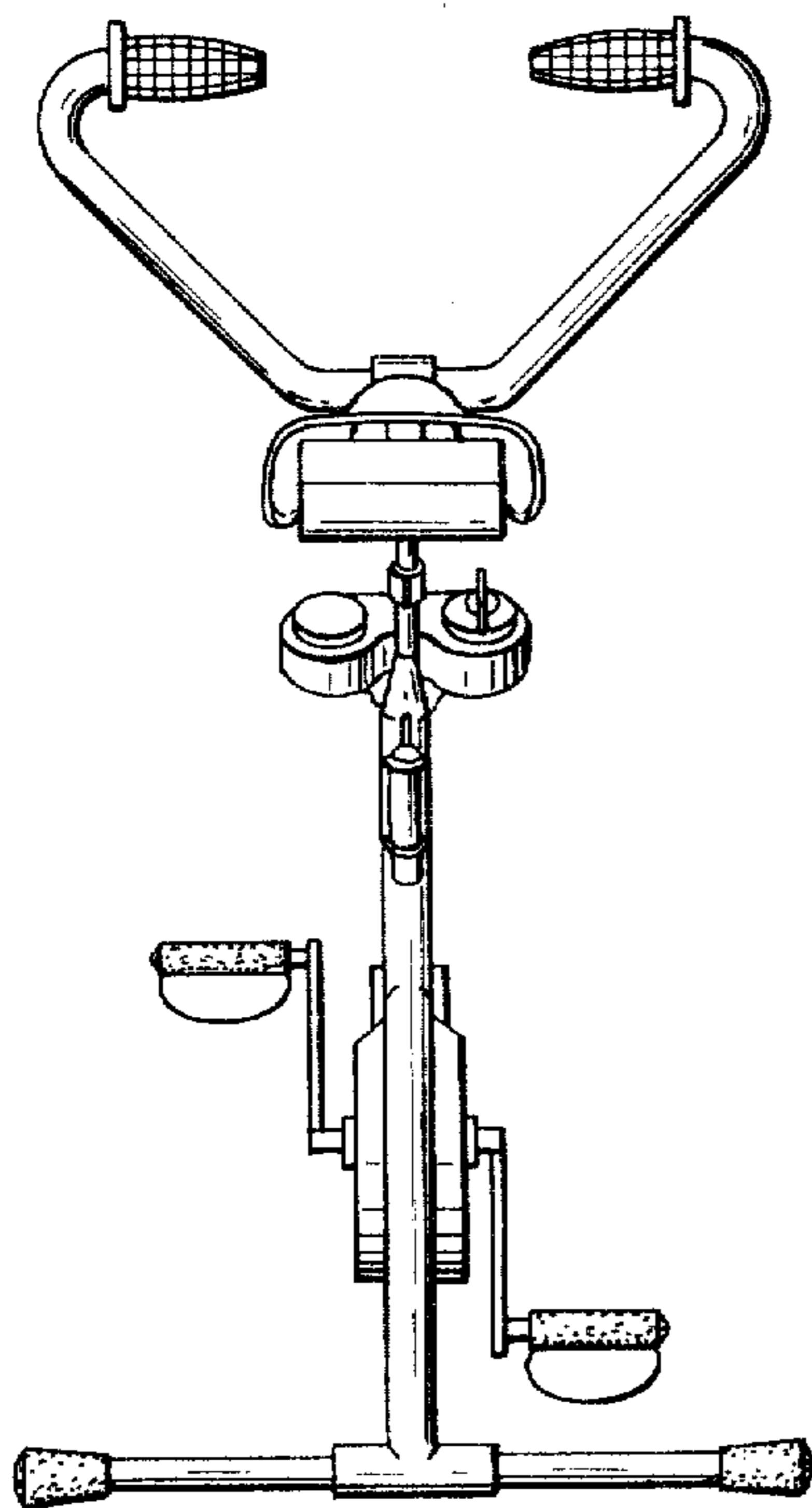


FIG. 5

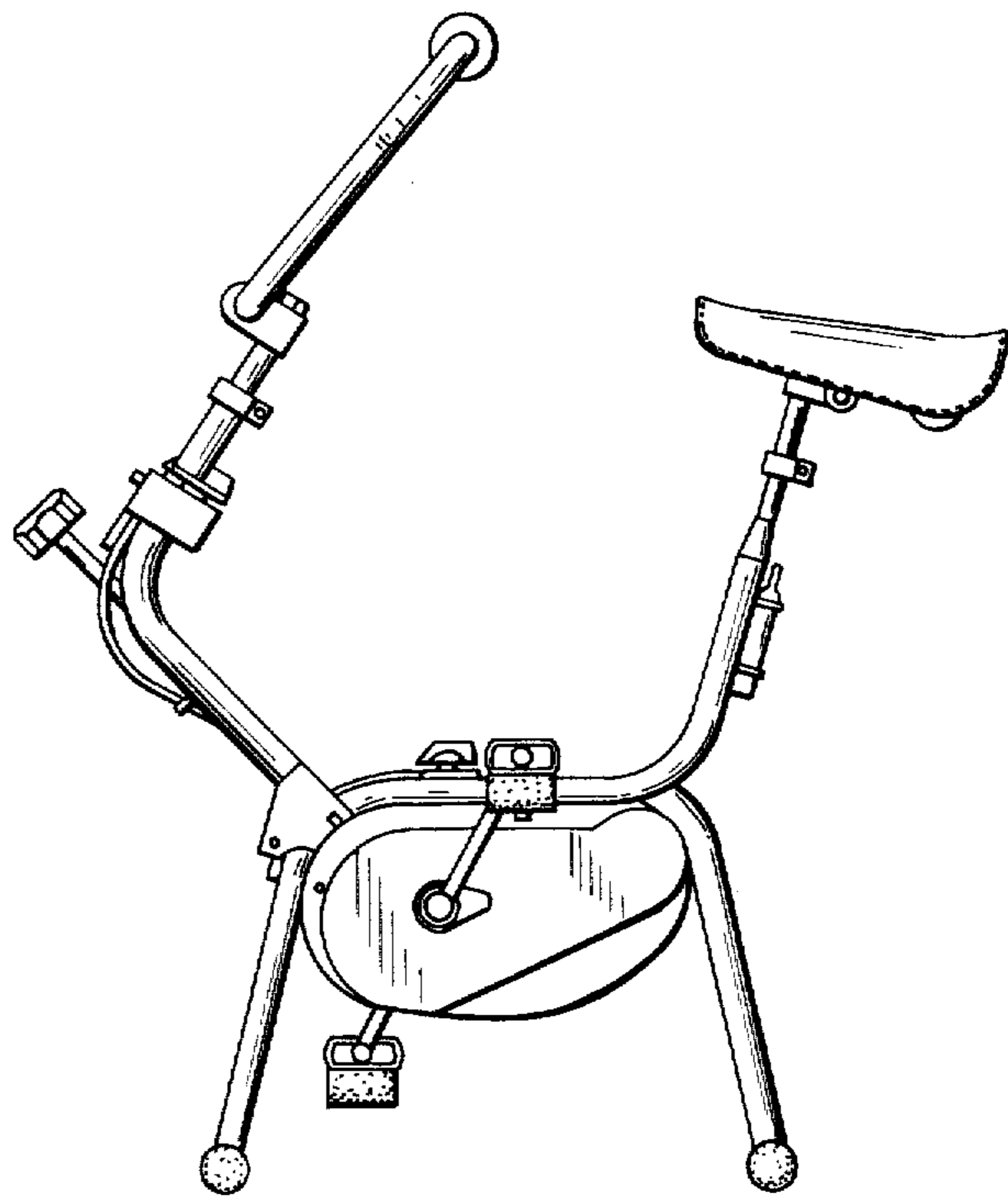


FIG. 6

**Disclaimer**

Des. 264,235.—*Jose L.B. Chirapozu*, Vitoria, Spain. BICYCLE EXERCISER.  
Patent dated May 4, 1982. Disclaimer filed Mar. 28, 1983, by the inventor.

Hereby enters this disclaimer to the sole claim of said patent.  
[*Official Gazette June 7, 1983.*]