

[54] **HOLDER FOR FIXEDLY RETAINING TOY TEMPLATES**

[75] Inventor: **Karen E. Lang**, Rosemead, Calif.

[73] Assignee: **Tomy Corporation**, Carson, Calif.

[**] Term: **14 Years**

[21] Appl. No.: **125,375**

[22] Filed: **Feb. 28, 1980**

[51] Int. Cl. **D21-99**

[52] U.S. Cl. **D21/59; D3/74; D6/158; D28/83**

[58] Field of Search **D3/74; D6/158, 159; D10/64; D19/39; D21/59, 126; D28/83**

[56] **References Cited**

U.S. PATENT DOCUMENTS

D. 139,428 11/1944 Morris D28/83

D. 241,380 9/1976 Graviner D3/74
D. 257,438 10/1980 Tsuyuki D21/59
2,389,788 11/1945 Lathrop D28/83 X

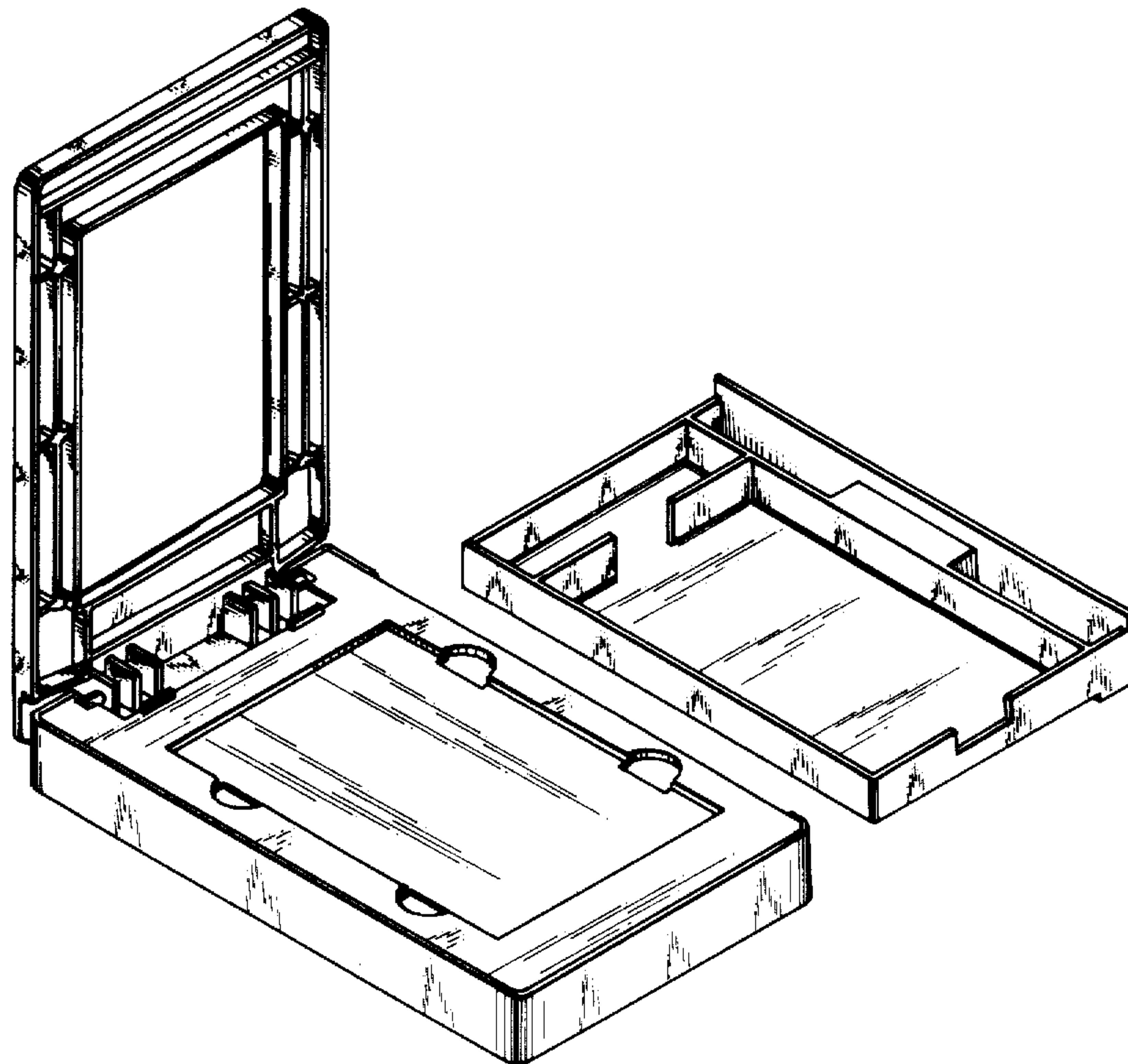
Primary Examiner—Leland A. Sebastian
Attorney, Agent, or Firm—K. H. Boswell; Edward D. O'Brian

[57] **CLAIM**

The ornamental design for a holder for fixedly retaining toy templates, substantially as shown and described.

DESCRIPTION

FIG. 1 is a top, left and front perspective view of a holder for fixedly retaining toy templates showing my new design in a closed position; FIG. 2 is a rear elevational view; FIG. 3 is a right side elevational view; FIG. 4 is a bottom plan view; and FIG. 5 is an exploded perspective view in an opened position with the drawer removed.



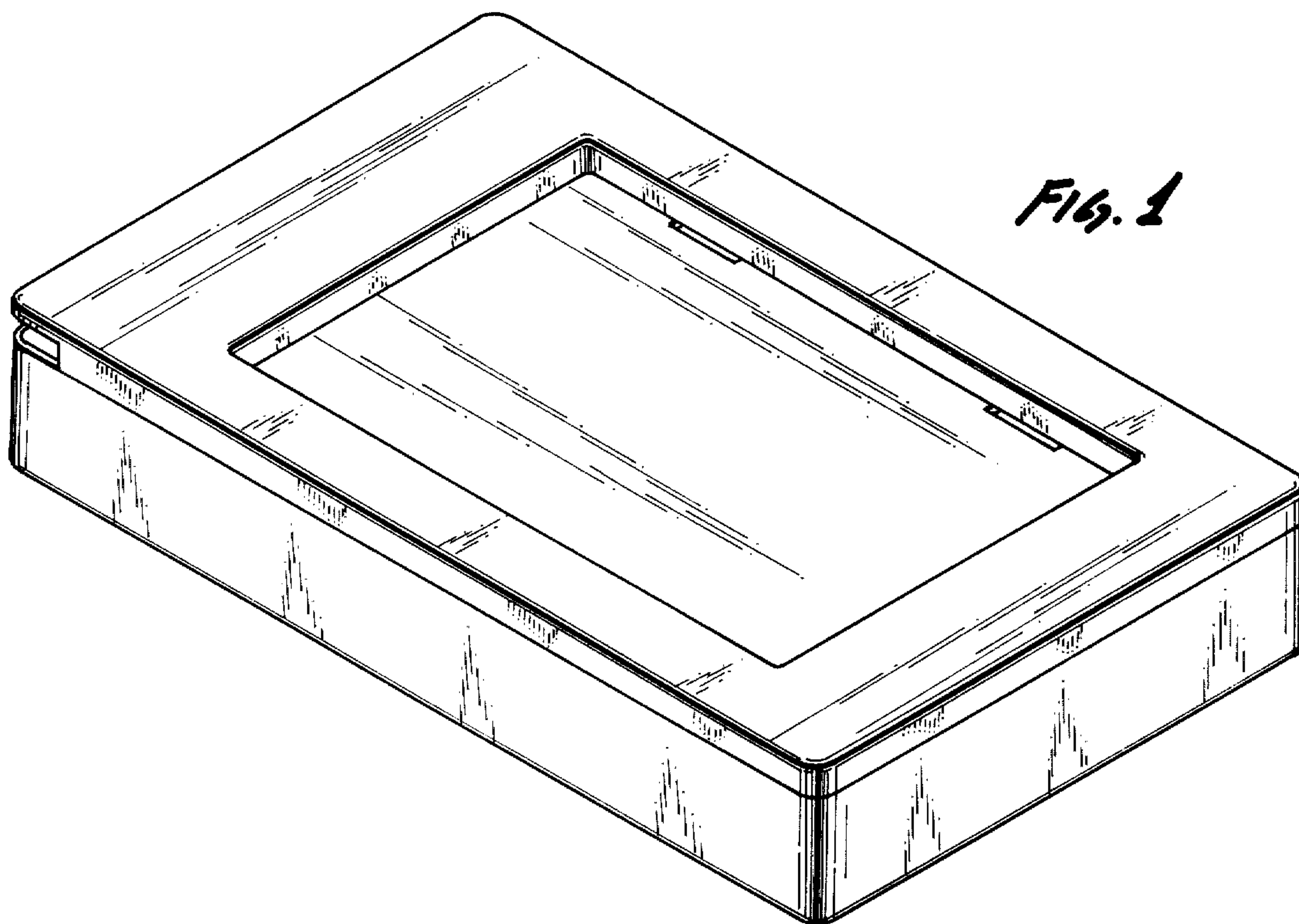


FIG. 1

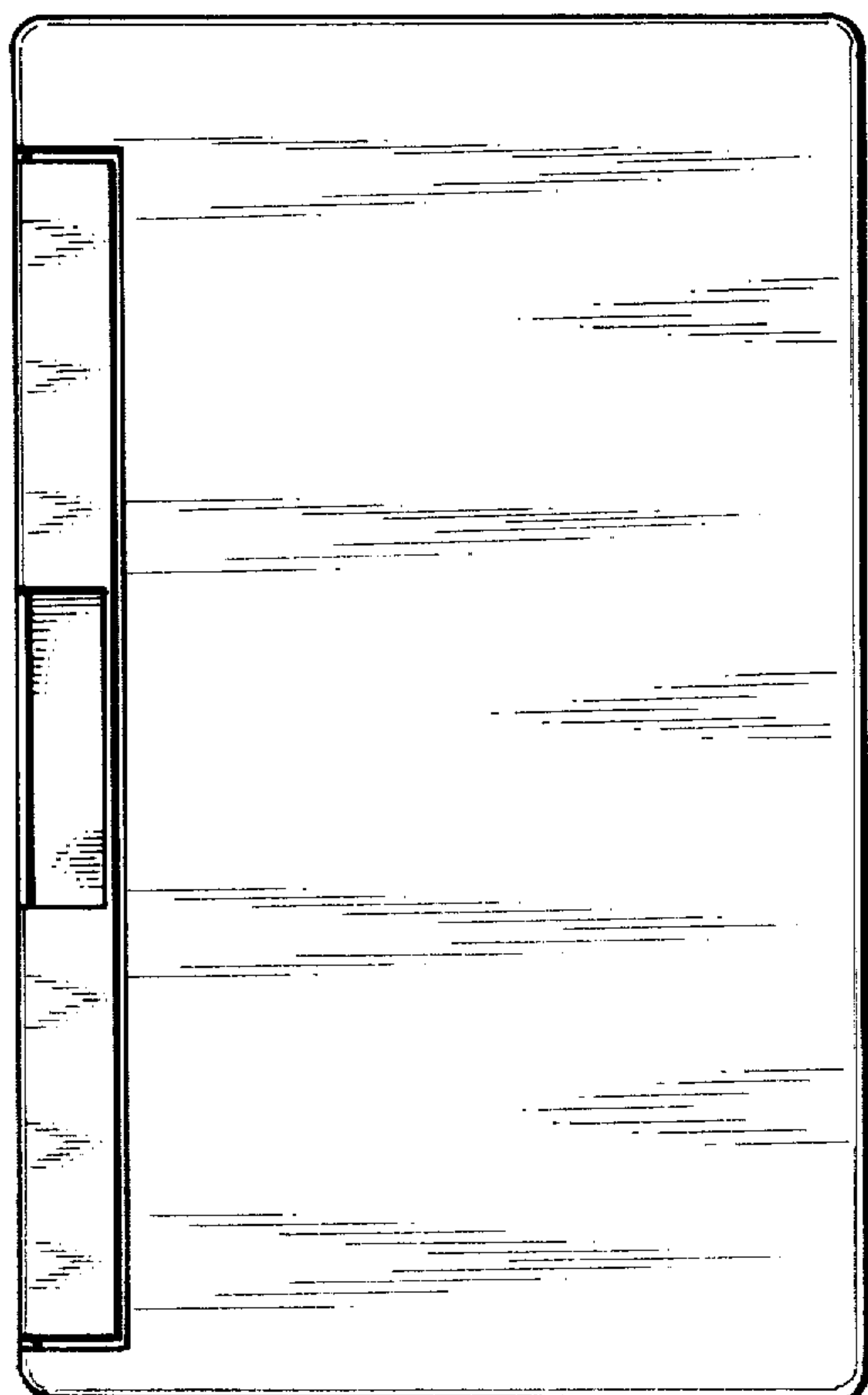


FIG. A

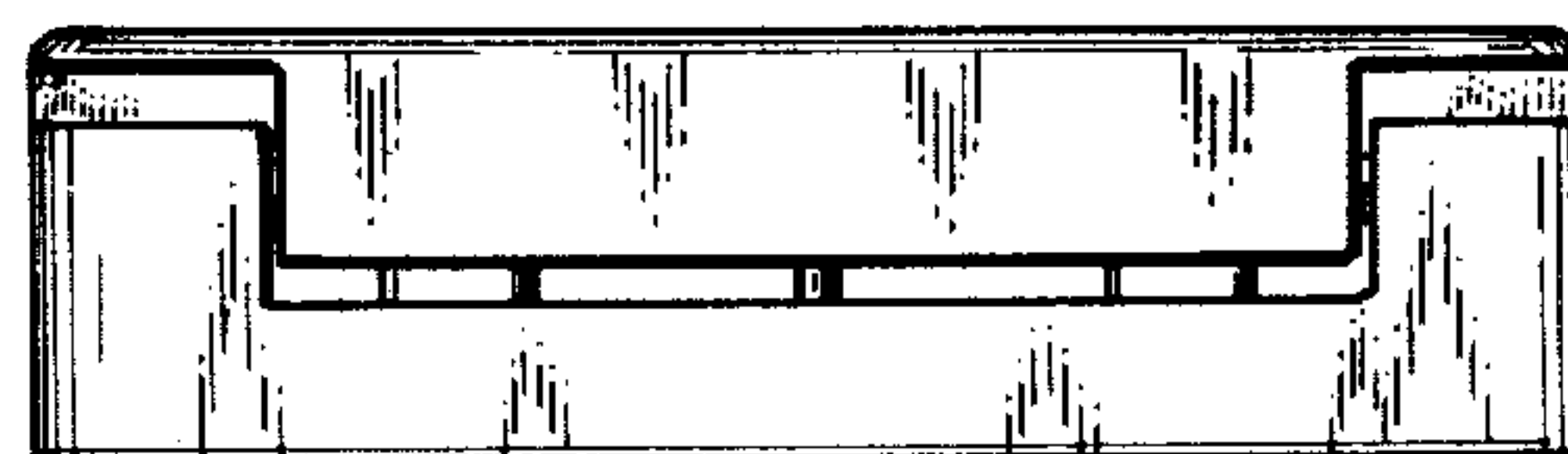


FIG. 2

