

[54] HOUSING FOR AN ELECTRONIC AMUSEMENT DEVICE

[75] Inventor: Akio Tsuyuki, Tokyo, Japan  
[73] Assignee: Tomy Kogyo Co., Inc., Tokyo, Japan  
[\*\*] Term: 14 Years  
[21] Appl. No.: 141,473  
[22] Filed: Apr. 18, 1980

[30] Foreign Application Priority Data

Oct. 9, 1979 [JP] Japan ..... 54-42681

[51] Int. Cl. .... D21-01  
[52] U.S. Cl. .... D21/13  
[58] Field of Search ..... D21/13; D18/7; 273/1 E,  
273/DIG. 28, 138 A, 85 R

[56] References Cited

U.S. PATENT DOCUMENTS

D. 252,773 8/1979 Sulek et al. .... D18/7

OTHER PUBLICATIONS

Playthings, Jul., 1979, p. 6, Electronic Concentration.  
Consumer Reports, Nov., 1979, p. 636, bottom, Fonas  
Tri-1.

Primary Examiner—Melvin B. Feifer  
Attorney, Agent, or Firm—Staas and Halsey

[57] CLAIM

The ornamental design for a housing for an electronic amusement device, as shown.

DESCRIPTION

FIG. 1 is a perspective view of a housing for an electronic amusement device showing my new design; FIG. 2 is a left side elevational view thereof; FIG. 3 is a rear elevational view thereof; FIG. 4 is a bottom plan view thereof; FIG. 5 is a right side elevational view thereof; FIG. 6 is a front elevational view thereof; and FIG. 7 is a top plan view thereof.

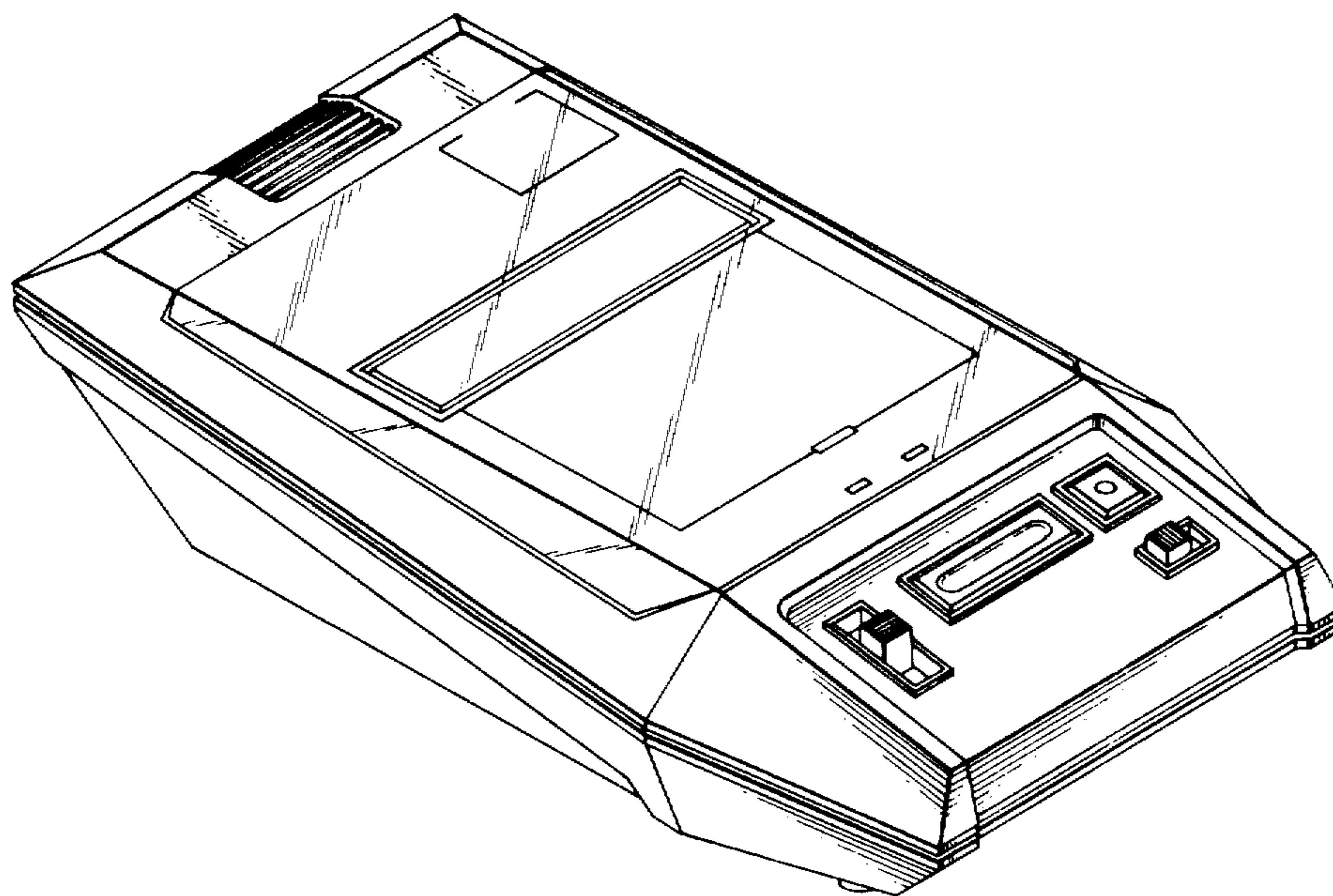


FIG. 1.

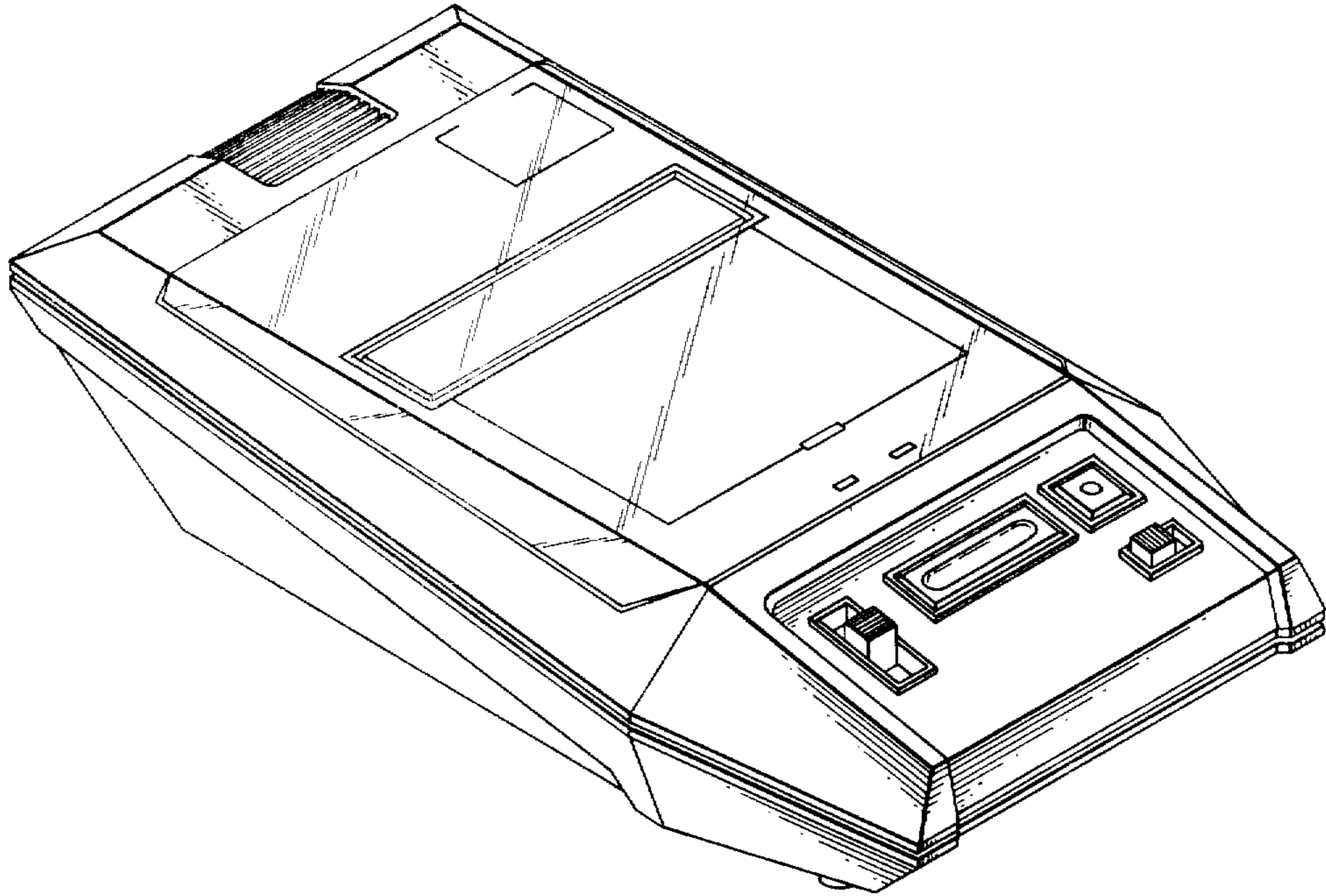


FIG. 2.

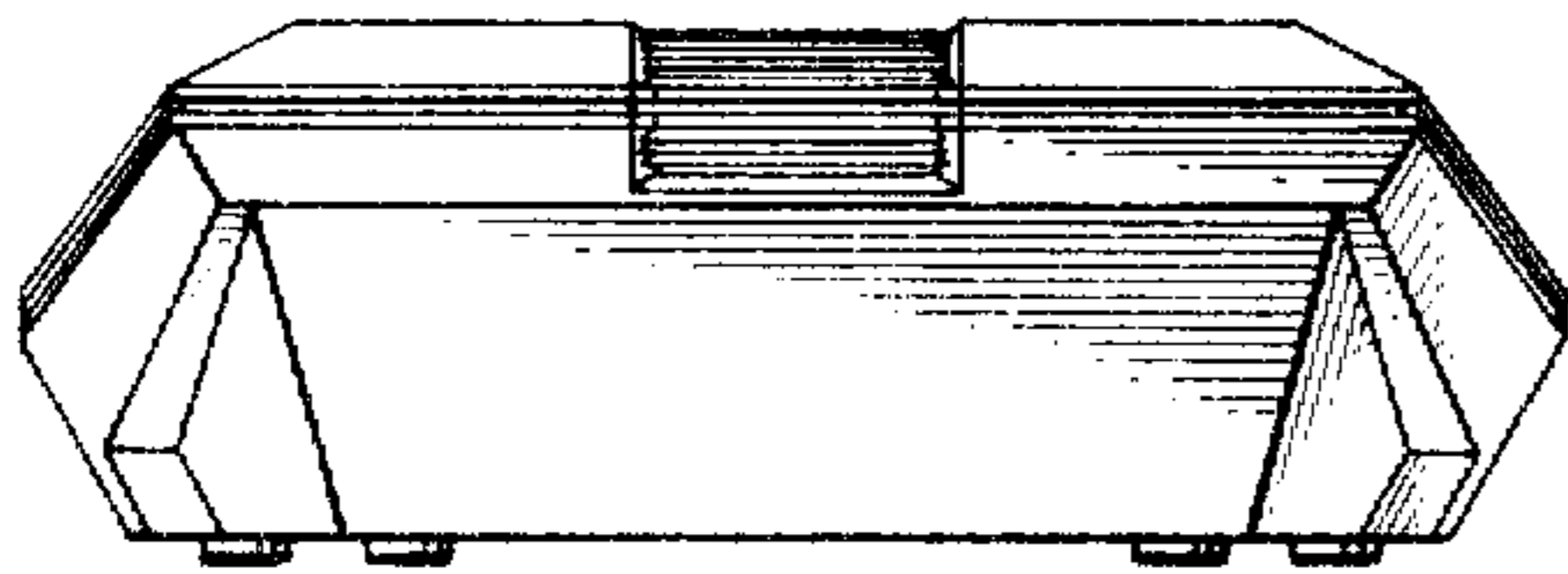


FIG. 4.

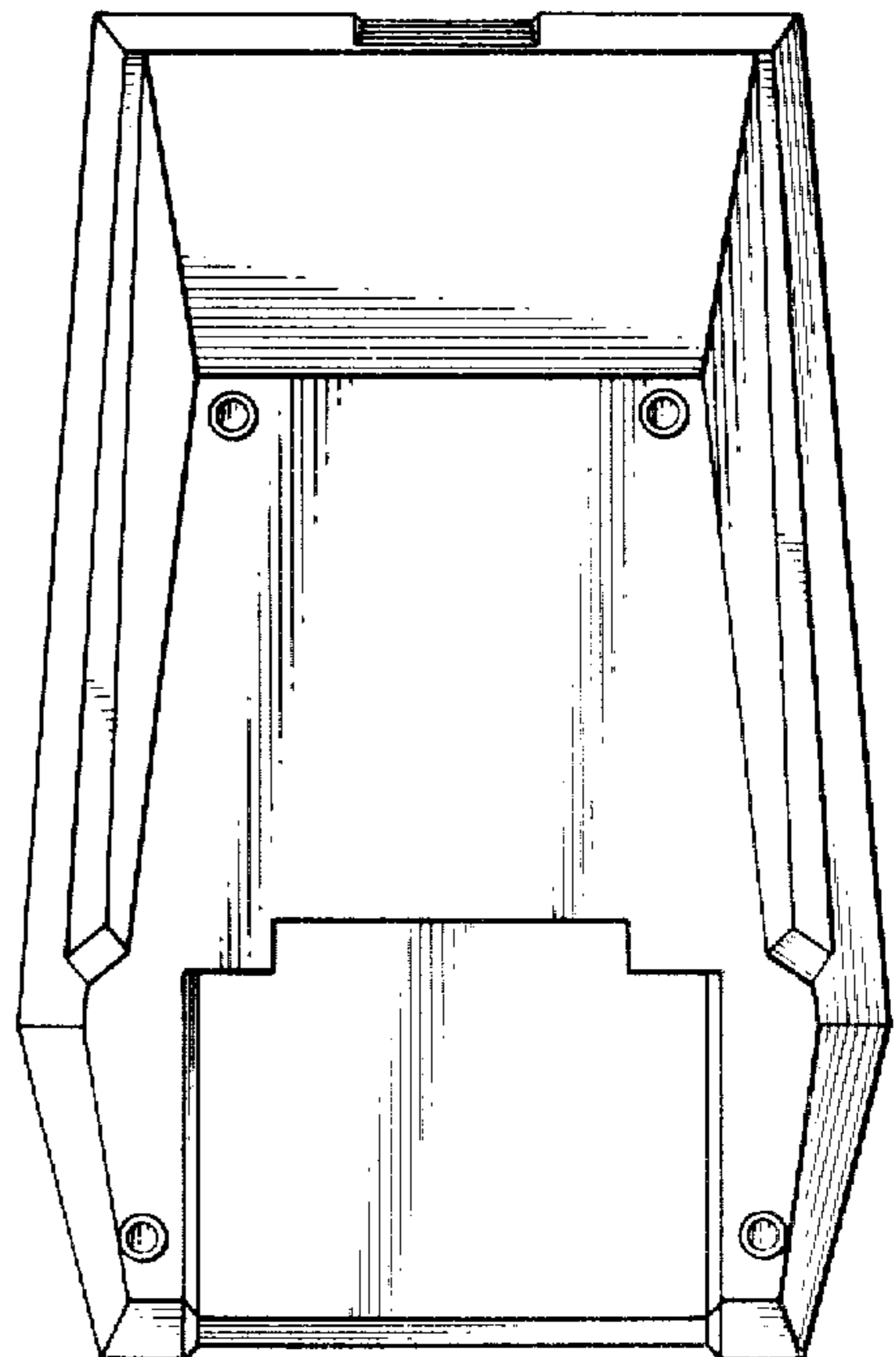


FIG. 3.

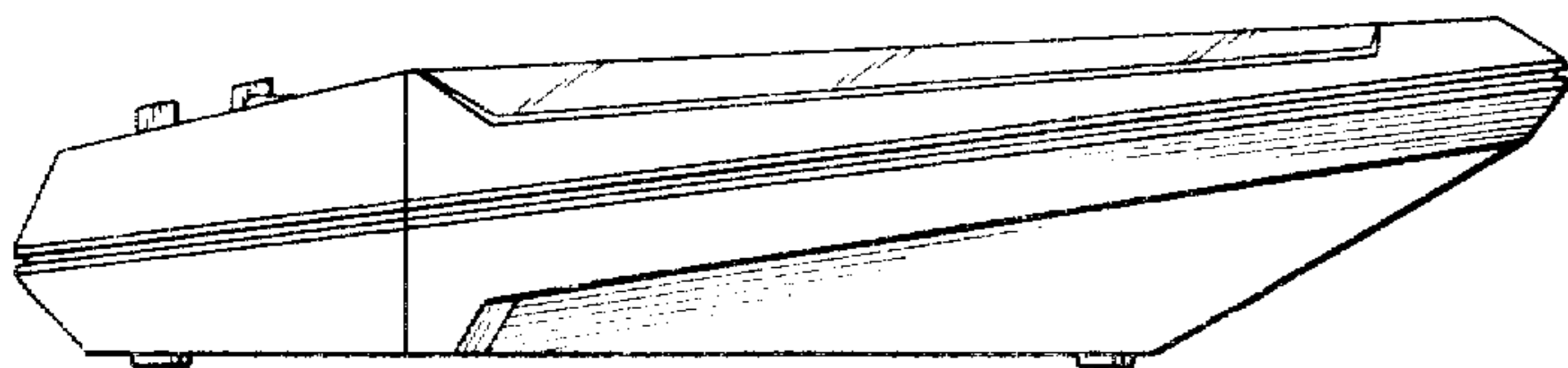


FIG. 5.

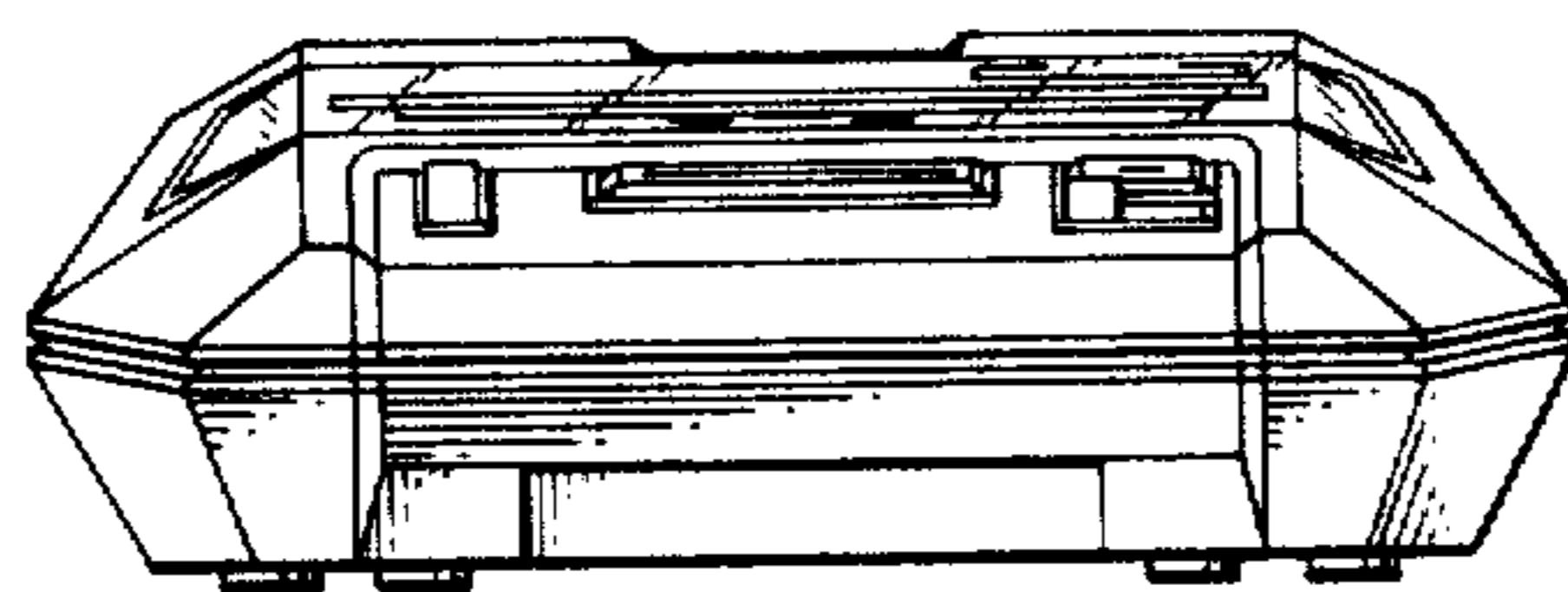


FIG. 6.

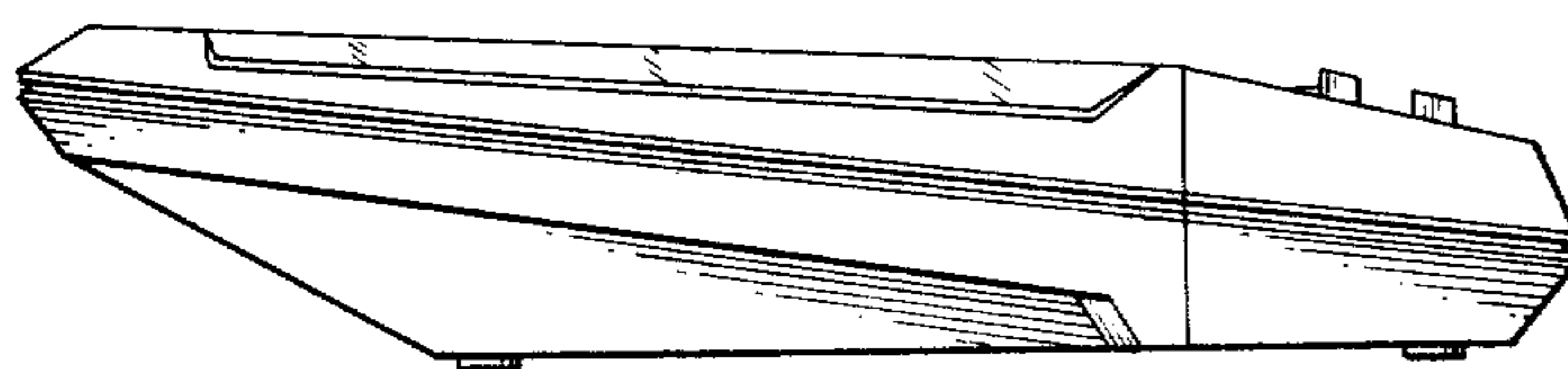


FIG. 7.

