

[54] DRAFTING TABLE ORGANIZER

[76] Inventor: Glenn P. Hermes, 295 E. River St., New Braunfels, Tex. 78130

[\*\*] Term: 14 Years

[21] Appl. No.: 85,026

[22] Filed: Oct. 15, 1979

[51] Int. Cl. .... D19-02

[52] U.S. Cl. .... D19/77; D19/69; D19/85

[58] Field of Search ..... D19/35, 65, 67-69, D19/75-80, 84, 85, 93, 95; 211/69-69.4; 206/371, 379; D3/30

[56] References Cited

U.S. PATENT DOCUMENTS

- D. 165,645 1/1952 Fretz, Jr. .... D19/77
- D. 183,031 6/1958 Tarte, Jr. .... D19/77

- D. 183,053 6/1958 Lindemann et al. .... D19/69
- D. 184,610 3/1959 Doman .... D19/78
- D. 202,393 9/1965 Wallerstein .... D19/79
- D. 239,334 3/1976 Lowenstein .... D19/77

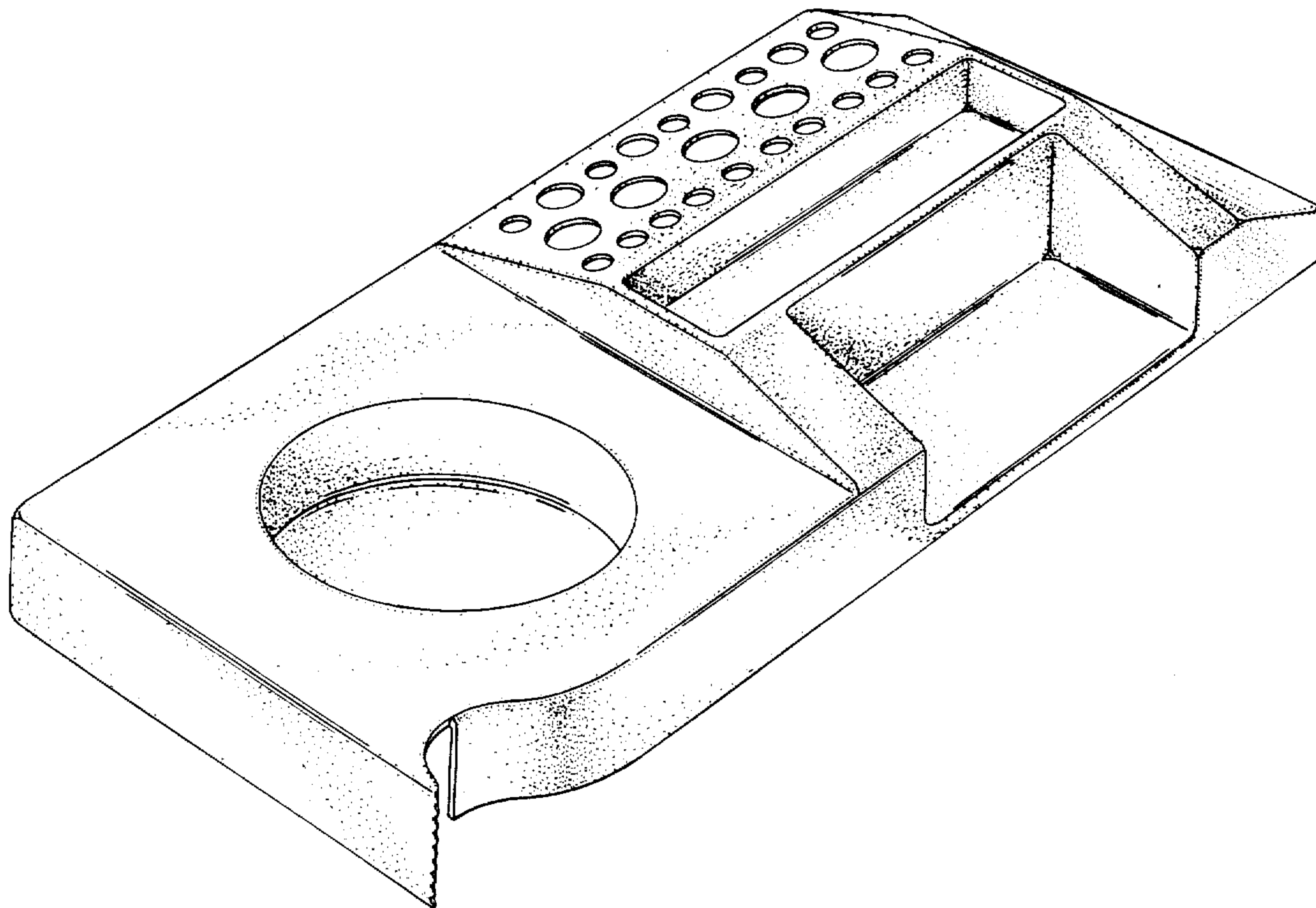
Primary Examiner—George P. Word  
Attorney, Agent, or Firm—Gale R. Peterson

[57] CLAIM

The ornamental design for a drafting table organizer, as shown.

DESCRIPTION

FIG. 1 is a perspective view of a drafting table organizer showing my new design;  
 FIG. 2 is a top plan view thereof;  
 FIG. 3 is a front elevational view thereof;  
 FIG. 4 is a bottom plan view thereof;  
 FIG. 5 is a left-end elevational view thereof;  
 FIG. 6 is a right-end elevational view thereof; and  
 FIG. 7 is a rear elevational view thereof.



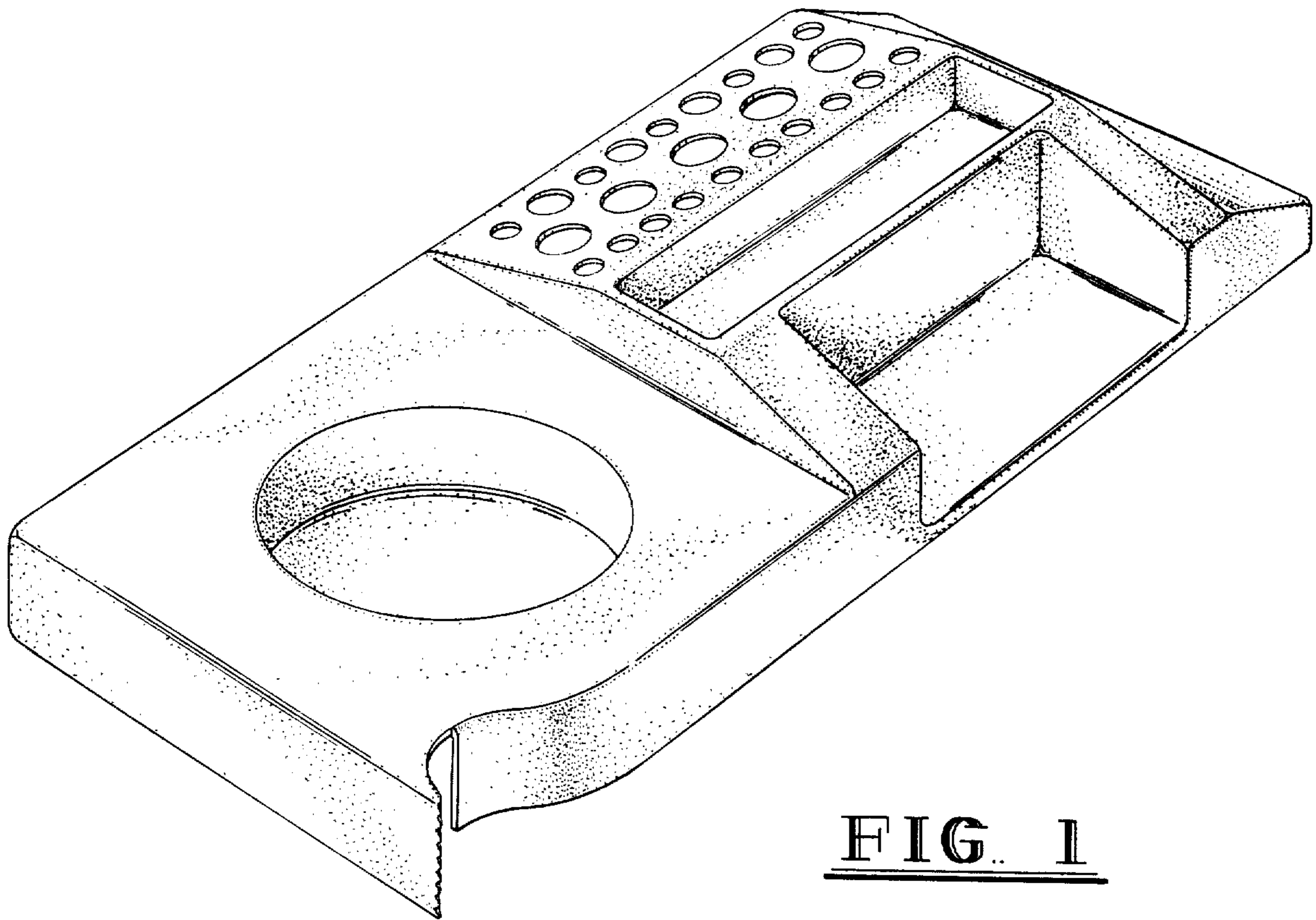


FIG. 1

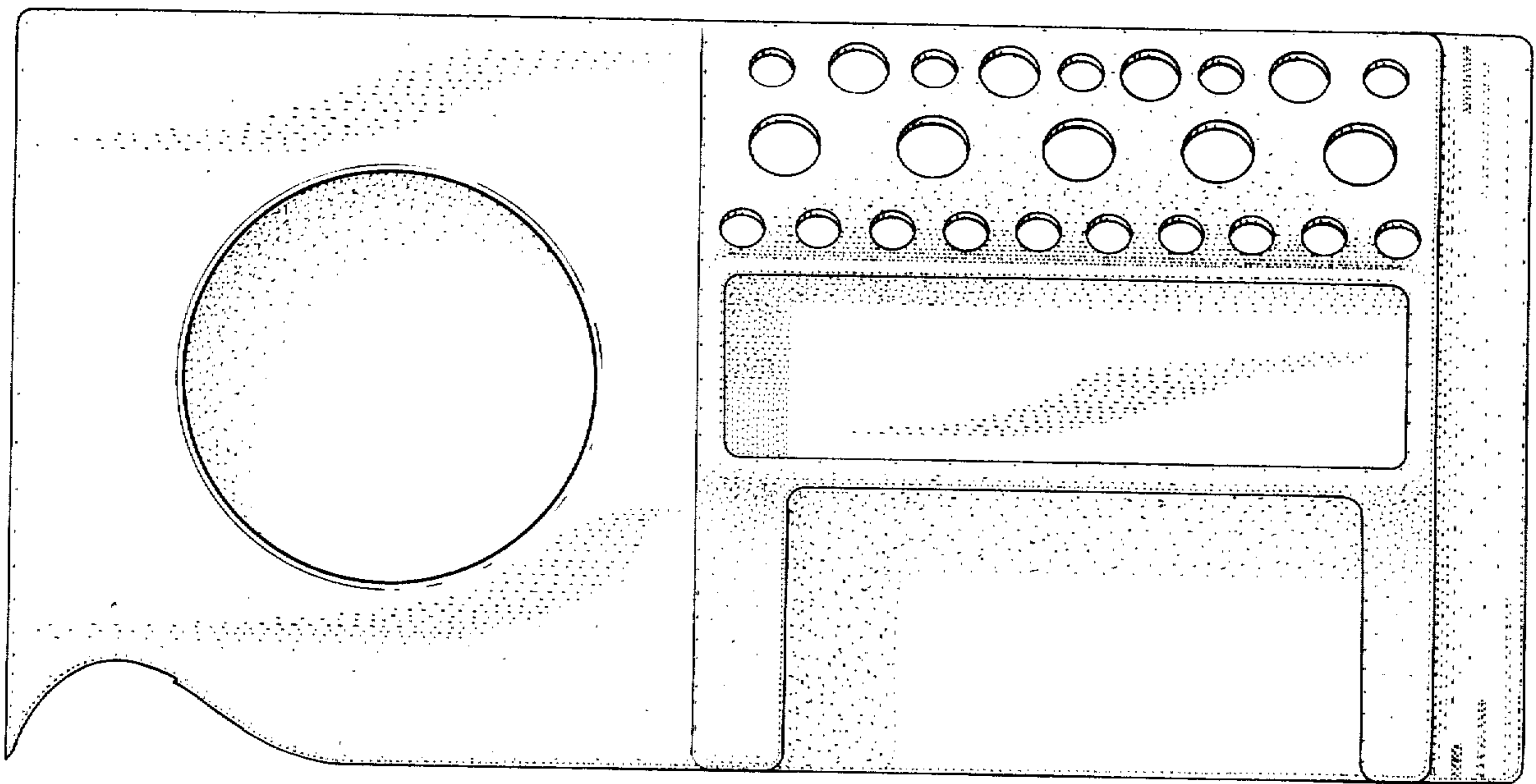


FIG. 2

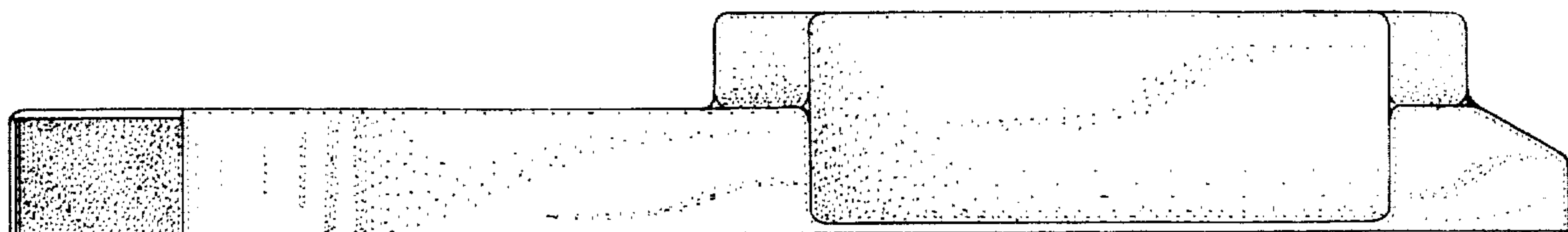


FIG. 3

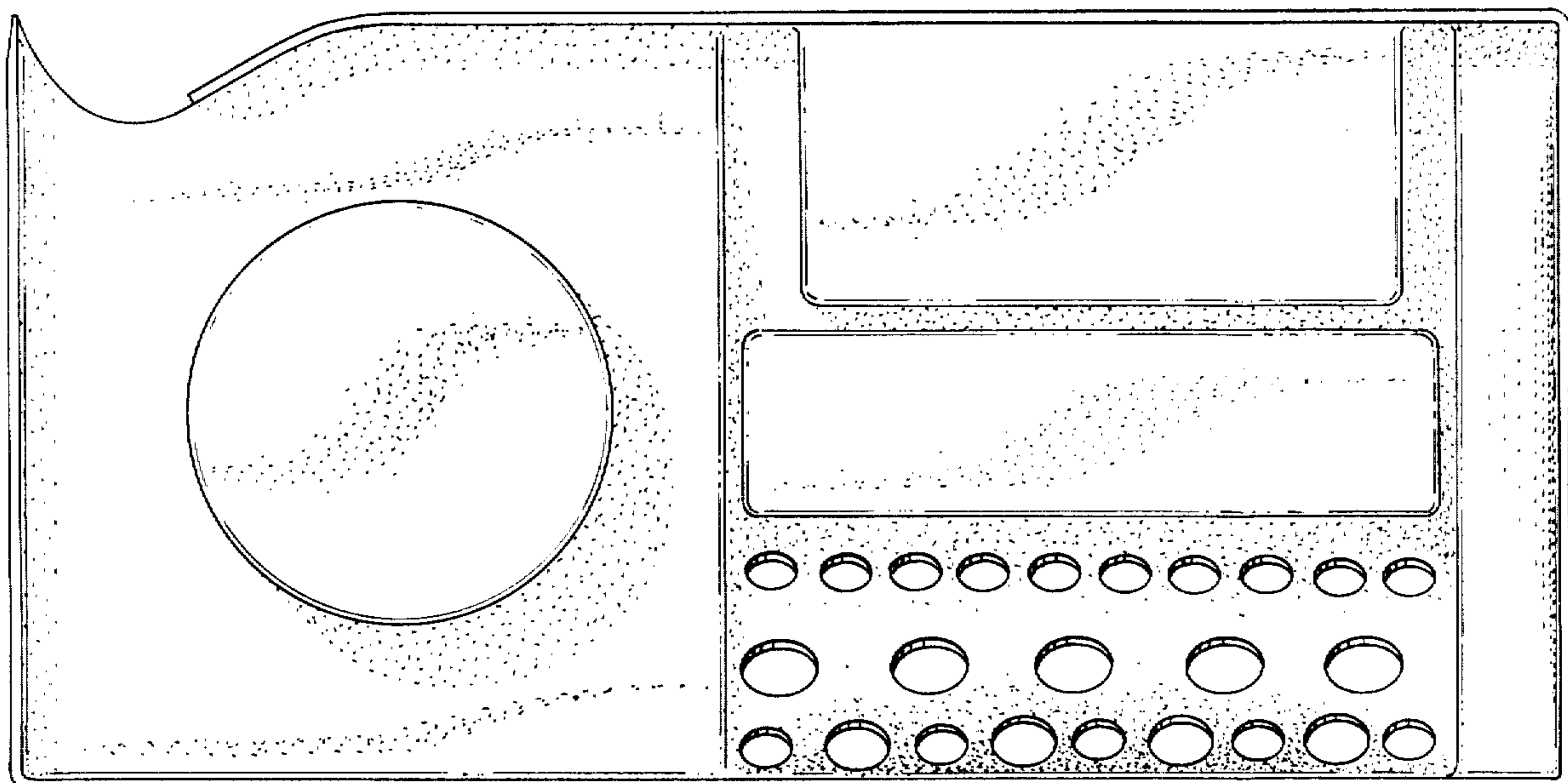


FIG. 4

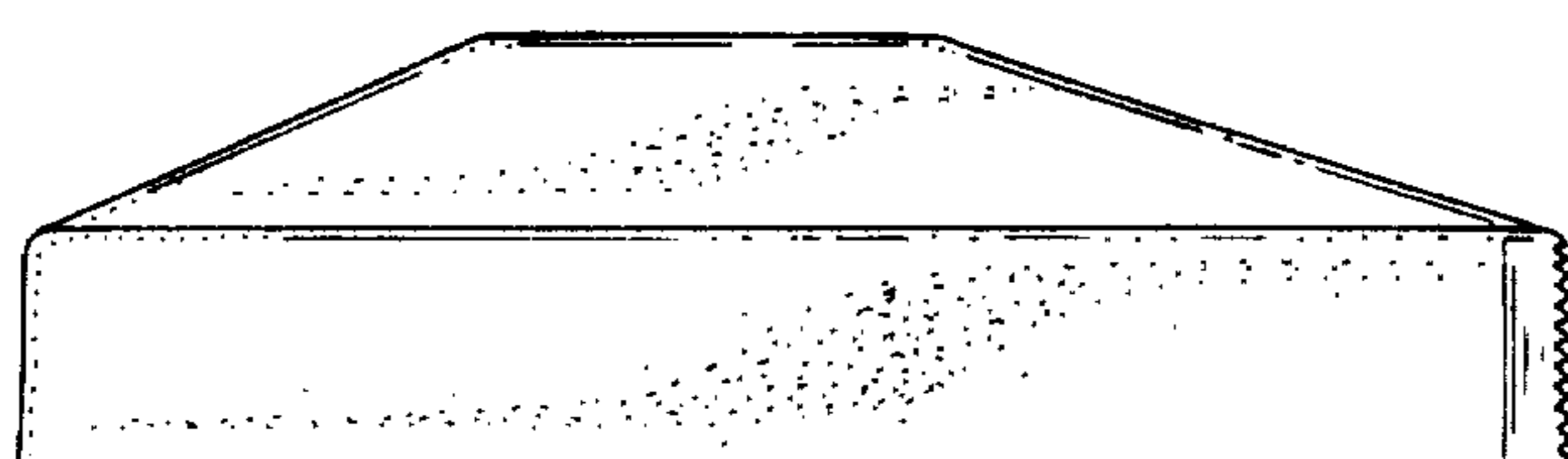


FIG. 5

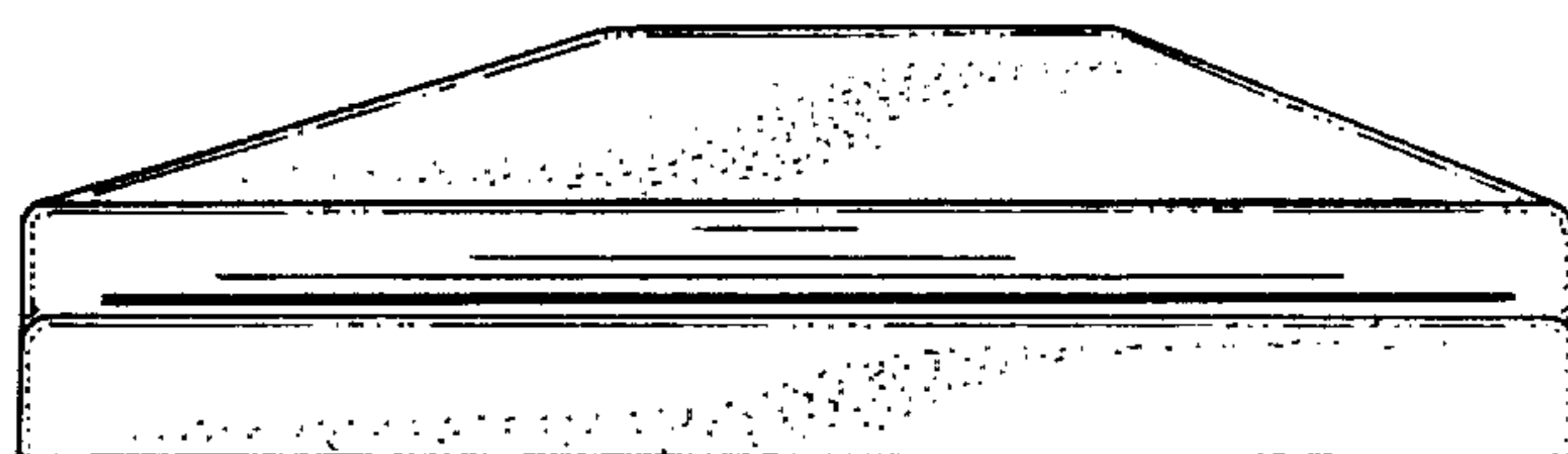


FIG. 6

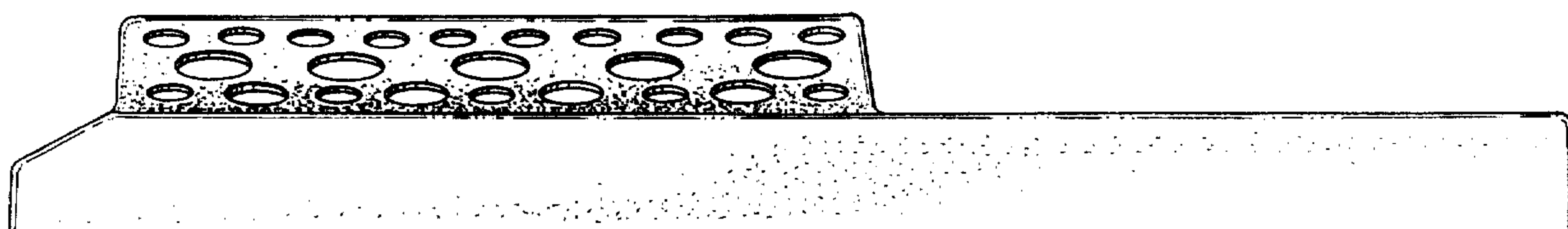


FIG. 7