

[54] WIND INSTRUMENT

4,116,108 9/1978 Hyman 84/330

[76] Inventor: Frank H. Lawson, 1608 Trona Way,
San Jose, Calif. 95125

FOREIGN PATENT DOCUMENTS

2014865 10/1970 Fed. Rep. of Germany 84/402

[**] Term: 14 Years

Primary Examiner—Jane E. Corrigan
Attorney, Agent, or Firm—Claude A. S. Hamrick

[21] Appl. No.: 106,949

[57] CLAIM

[22] Filed: Dec. 26, 1979

The ornamental design for a wind instrument, substantially as shown and described.

[51] Int. Cl. D17-02

[52] U.S. Cl. D17/10

[58] Field of Search D17/10, 99; D21/64;
84/330, 383, 402

DESCRIPTION

FIG. 1 is a front, bottom and right side perspective view of a wind instrument showing my new design, with the coiled tube shown as broken off in order to indicate indeterminate length;

FIG. 2 is a front elevational view;

FIG. 3 is a right side elevational view;

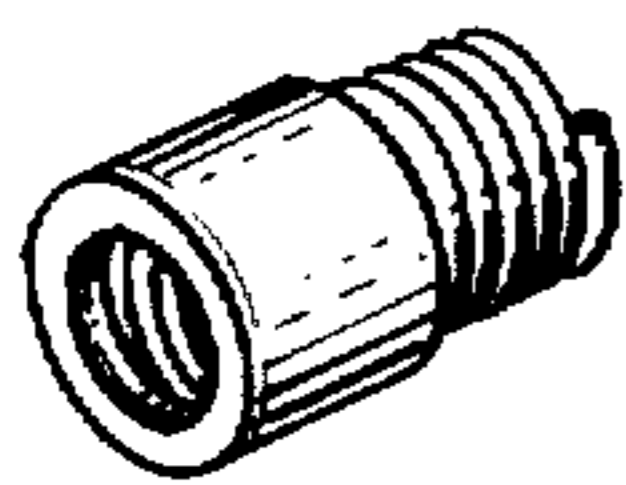
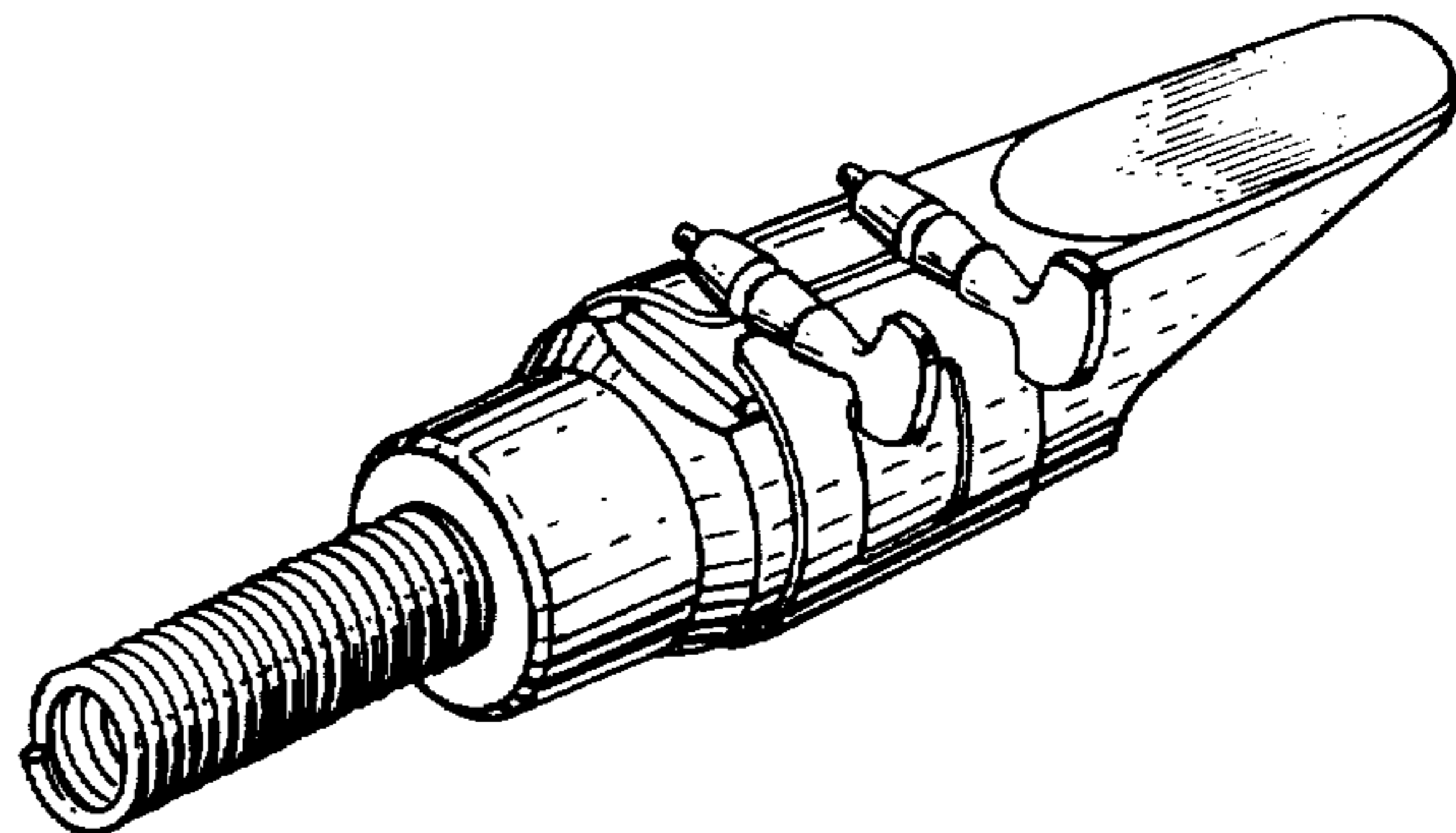
FIG. 4 is a bottom plan view; and

FIG. 5 is a top plan view.

[56] References Cited

U.S. PATENT DOCUMENTS

- 1,526,030 2/1925 Ward 84/330 X
- 1,621,608 3/1927 Slechta 84/383
- 2,242,912 5/1941 Healy 84/330



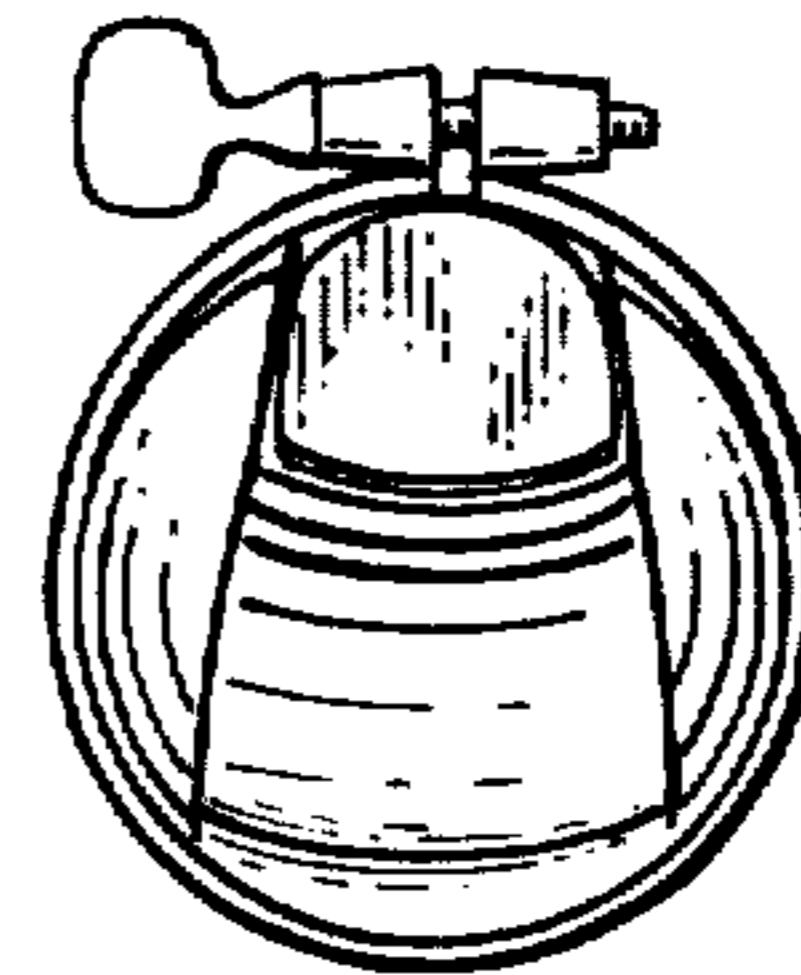
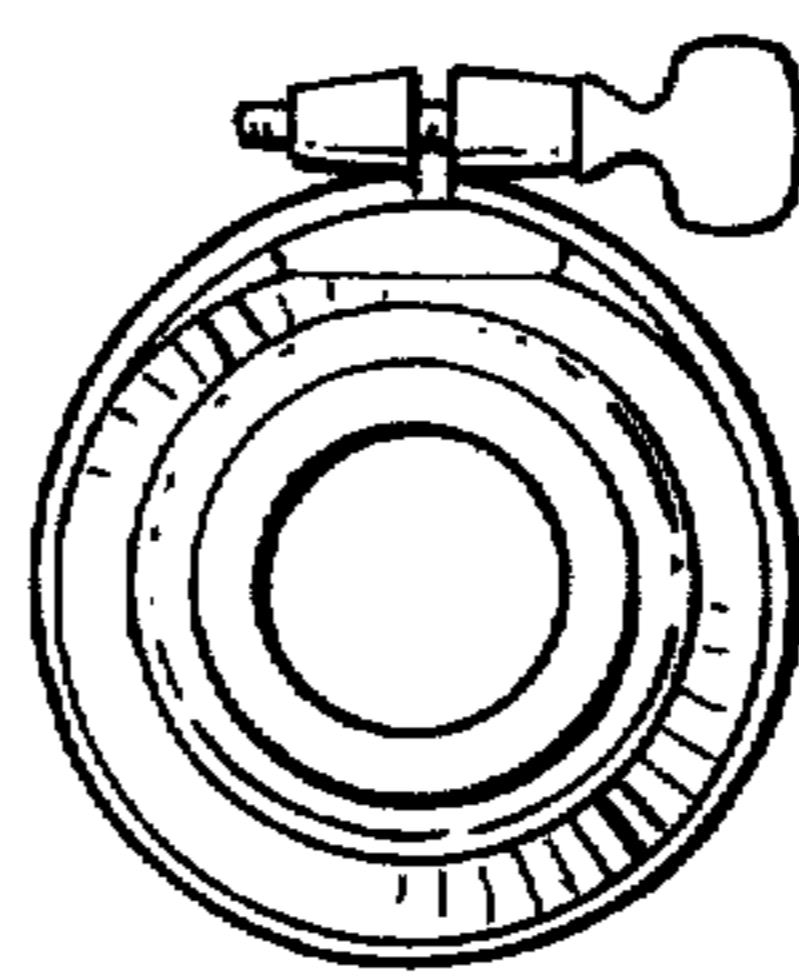
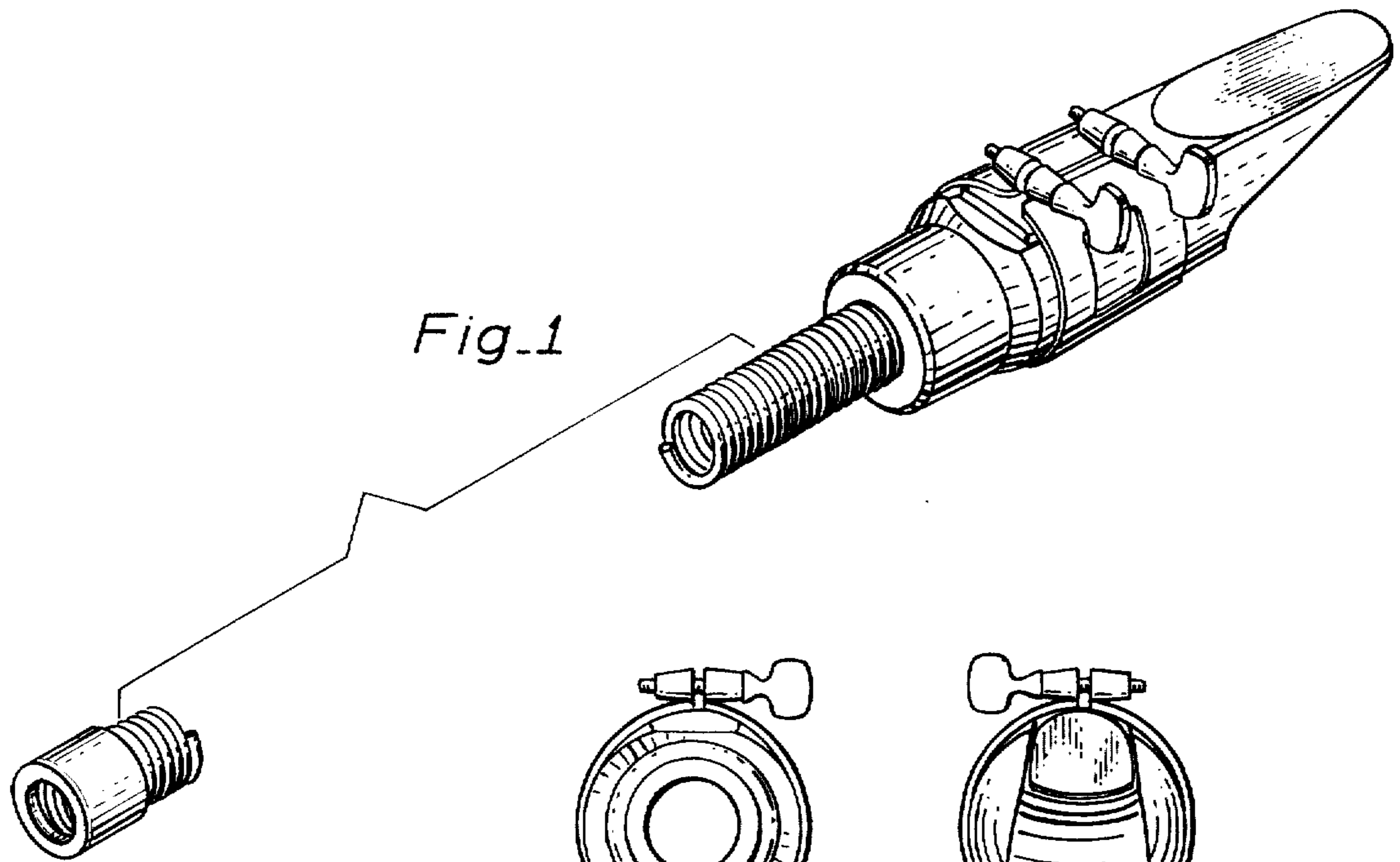


Fig. 4

Fig. 5

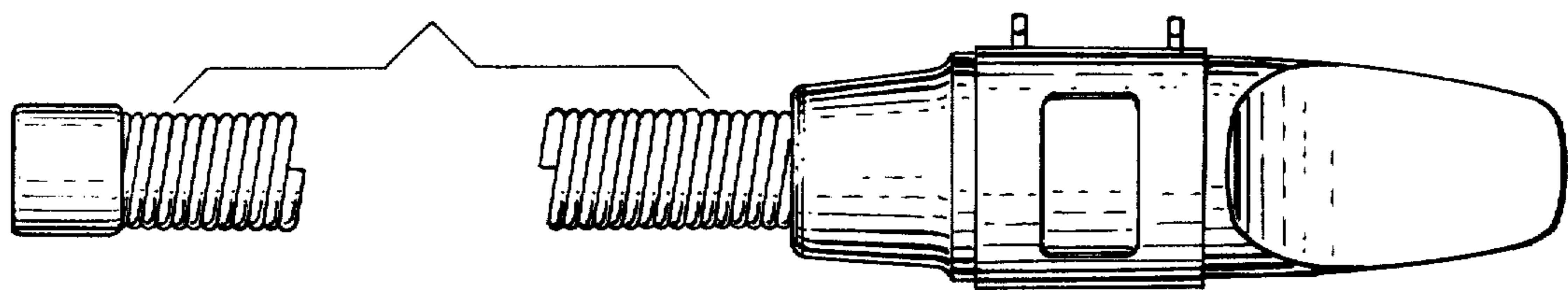


Fig. 2

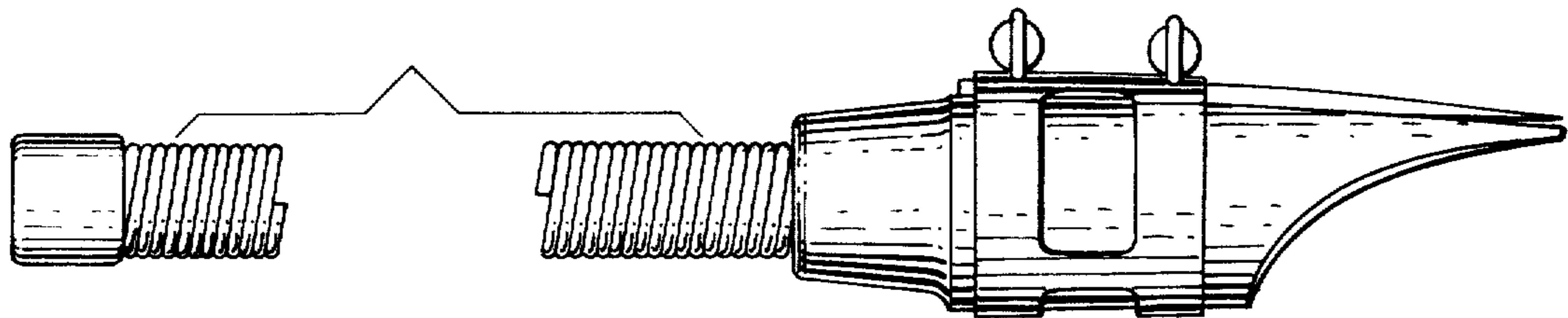


Fig. 3