

[54] **COPYING MACHINE**

[75] **Inventors:** William L. Plumb, New York;
Andrew T. Serbinski, Brooklyn;
Steven Bellofatto, New York;
Melinda M. Currier, New York;
Edward C. H. Lai, New York, all of
N.Y.

[73] **Assignee:** Savin Corporation, Valhalla, N.Y.

[**] **Term:** 14 Years

[21] **Appl. No.:** 129,040

[22] **Filed:** Mar. 10, 1980

[51] **Int. Cl.** D16-03

[52] **U.S. Cl.** D16/31

[58] **Field of Search** D16/27-32;
271/3.1, 4, 9; 355/3 R, 3 SH, 14 SH

[56] **References Cited**

U.S. PATENT DOCUMENTS

- D. 236,915 9/1975 Hideshima D16/31
- D. 251,912 5/1979 Nakade D16/31
- D. 257,984 1/1981 Kurozumi et al. D16/31

Primary Examiner—Leland A. Sebastian
Attorney, Agent, or Firm—Shenier & O'Connor

[57] **CLAIM**

The ornamental design for a copying machine, substantially as shown and described.

DESCRIPTION

FIG. 1 is a perspective view from the top right front end of a copying machine showing our new design; FIG. 2 is a rear elevational view thereof; and, FIG. 3 is a left end elevational view thereof. The bottom is not shown and is planar and substantially unornamented.

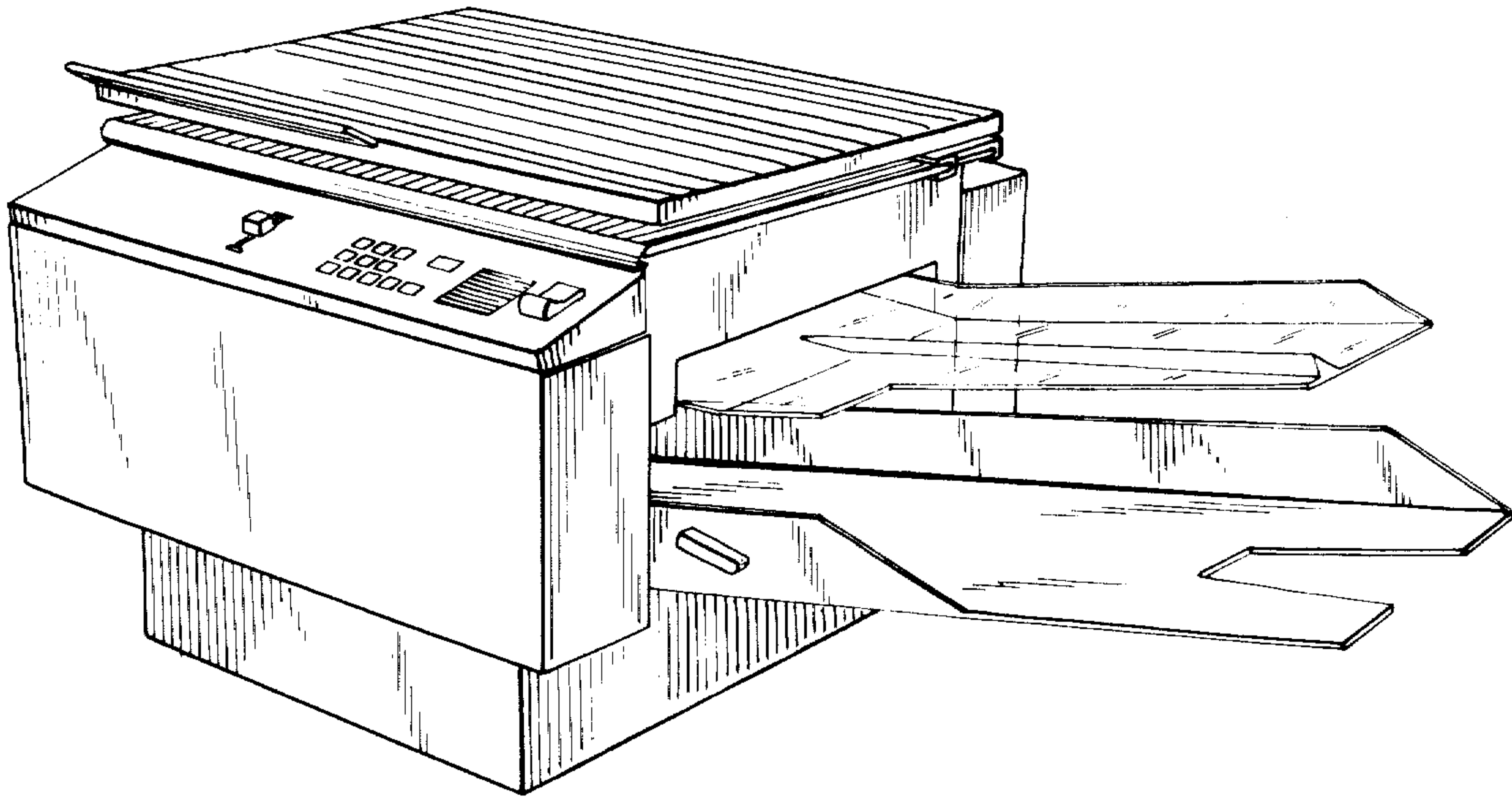


FIG. 1

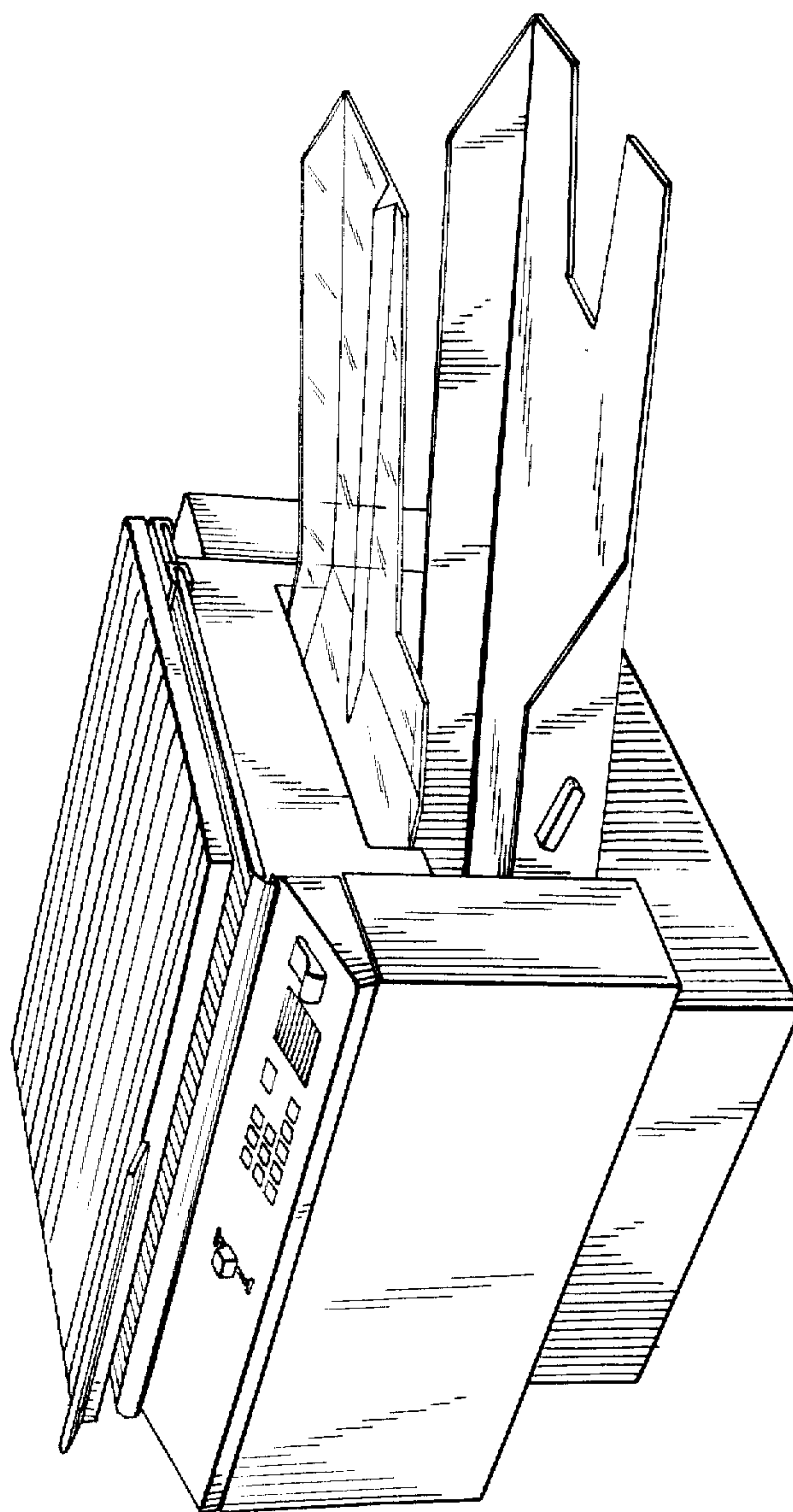


FIG 2

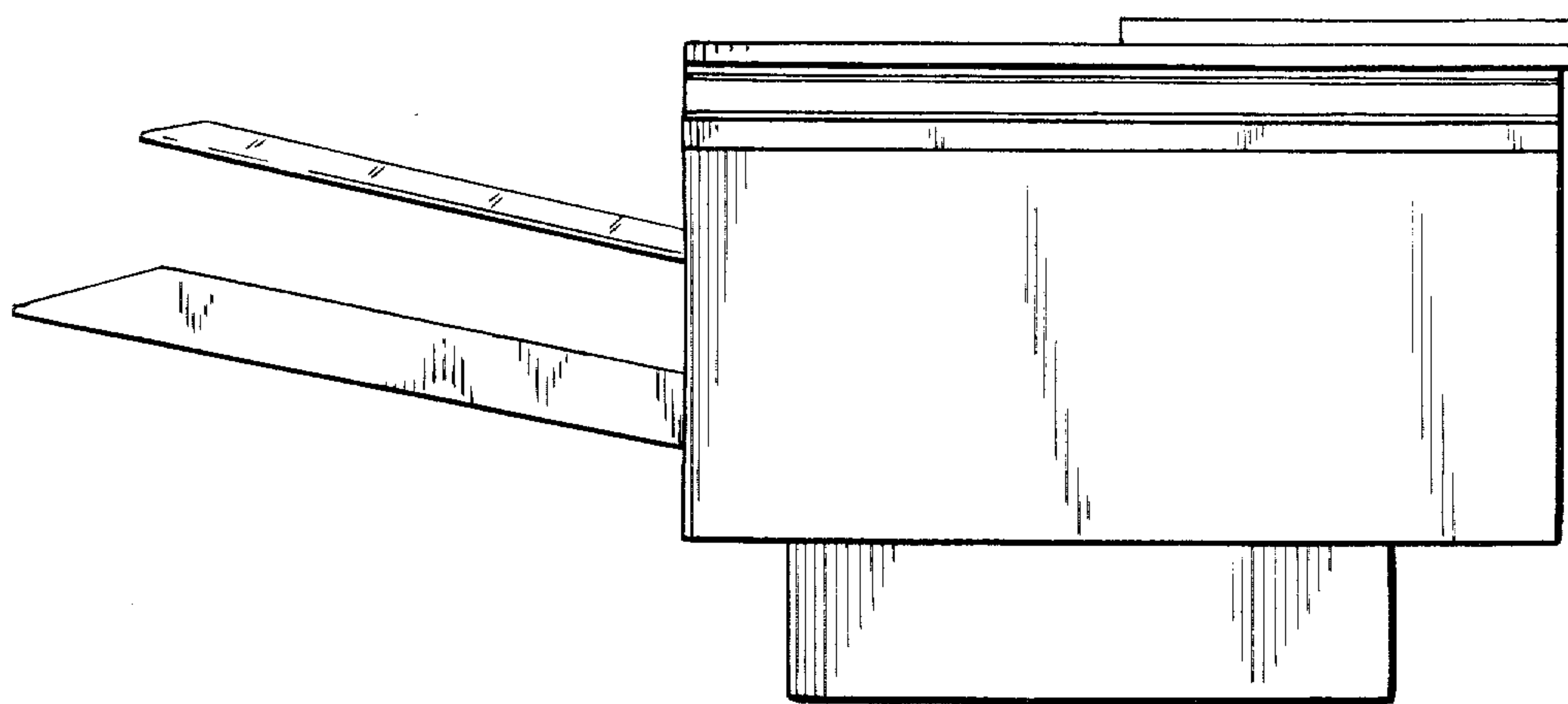


FIG 3

