

[54] **AUTOMATED MIXING MACHINE**

[76] Inventors: **Terry E. Neuner**, 504 Westmount Ave., Columbia, Mo. 65201; **Michael E. Gresham**, Rte. 5, Box 360, Fulton, Mo. 65251

[\*\*] Term: **14 Years**

[21] Appl. No.: **126,544**

[22] Filed: **Mar. 3, 1980**

[51] Int. Cl. .... **D15—99**

[52] U.S. Cl. .... **D15/147; D15/124**

[58] Field of Search ..... **D15/122, 124, 147, 199; 366/213, 214, 220**

1,301,536 4/1919 Bee ..... 366/213

2,284,991 6/1942 Sewell et al. .... 366/214

2,994,165 8/1961 Brevik ..... 366/220

*Primary Examiner*—B. J. Bullock  
*Attorney, Agent, or Firm*—Lowe, Kokjer, Kircher, Wharton & Bowman

[57] **CLAIM**

The ornamental design for an automated mixing machine, as shown and described.

**DESCRIPTION**

FIG. 1 is a front elevational view of an automated mixing machine embodying the new design;

FIG. 2 is a side elevational view taken from the right of FIG. 1;

FIG. 3 is a rear elevational view thereof;

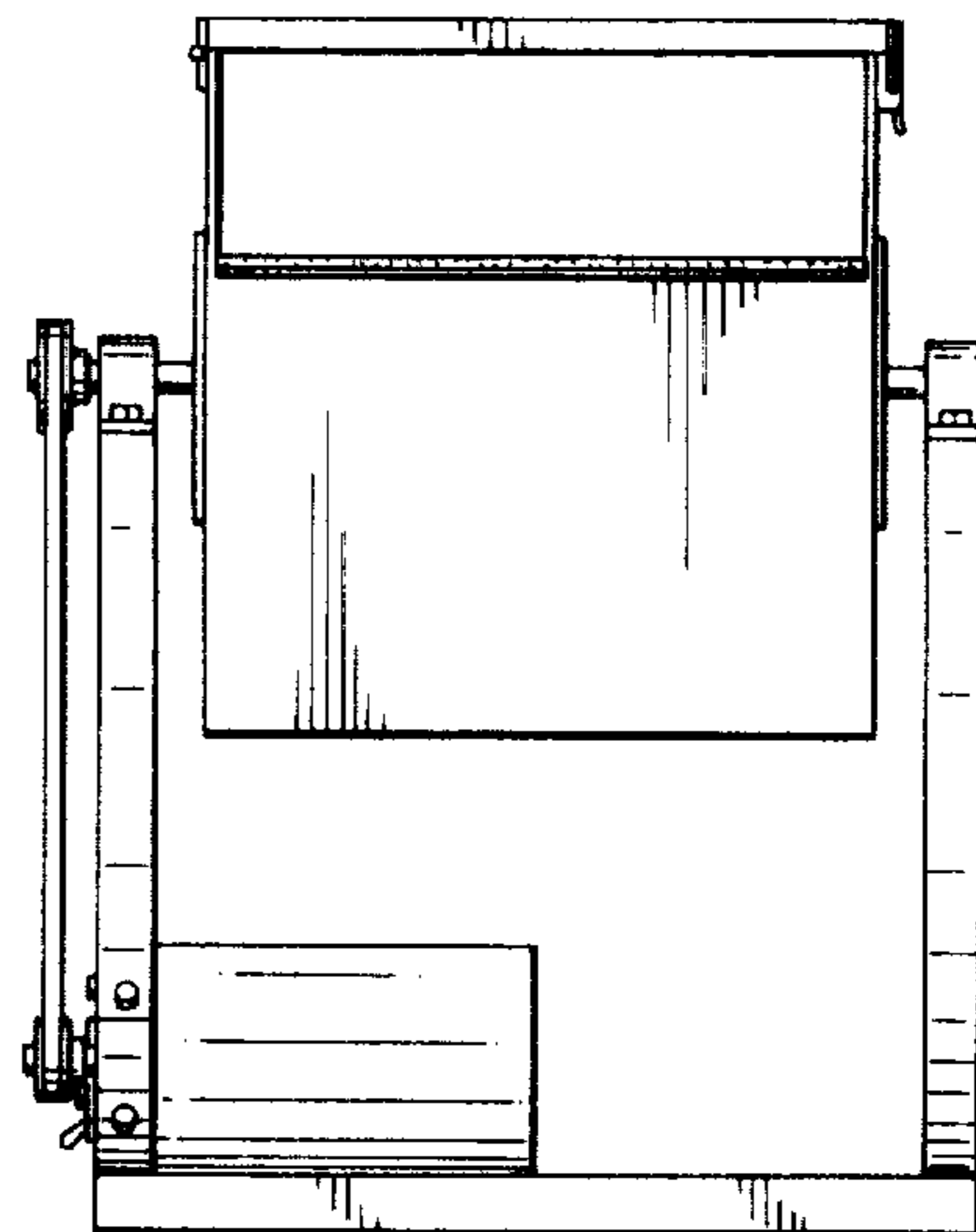
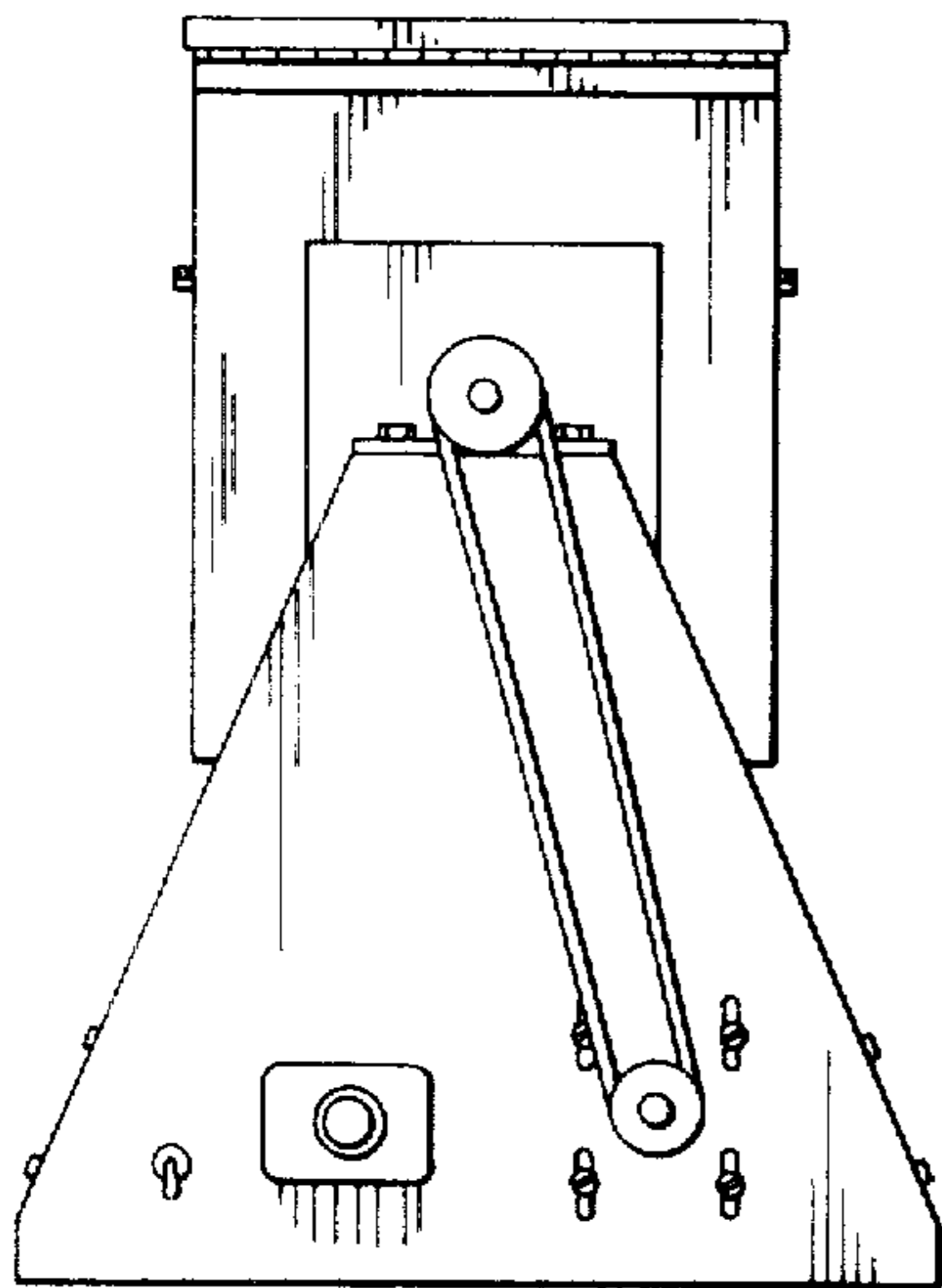
FIG. 4 is a side elevational view taken from the left of FIG. 1;

FIG. 5 is a top plan view thereof, the bottom being flat and unornamented.

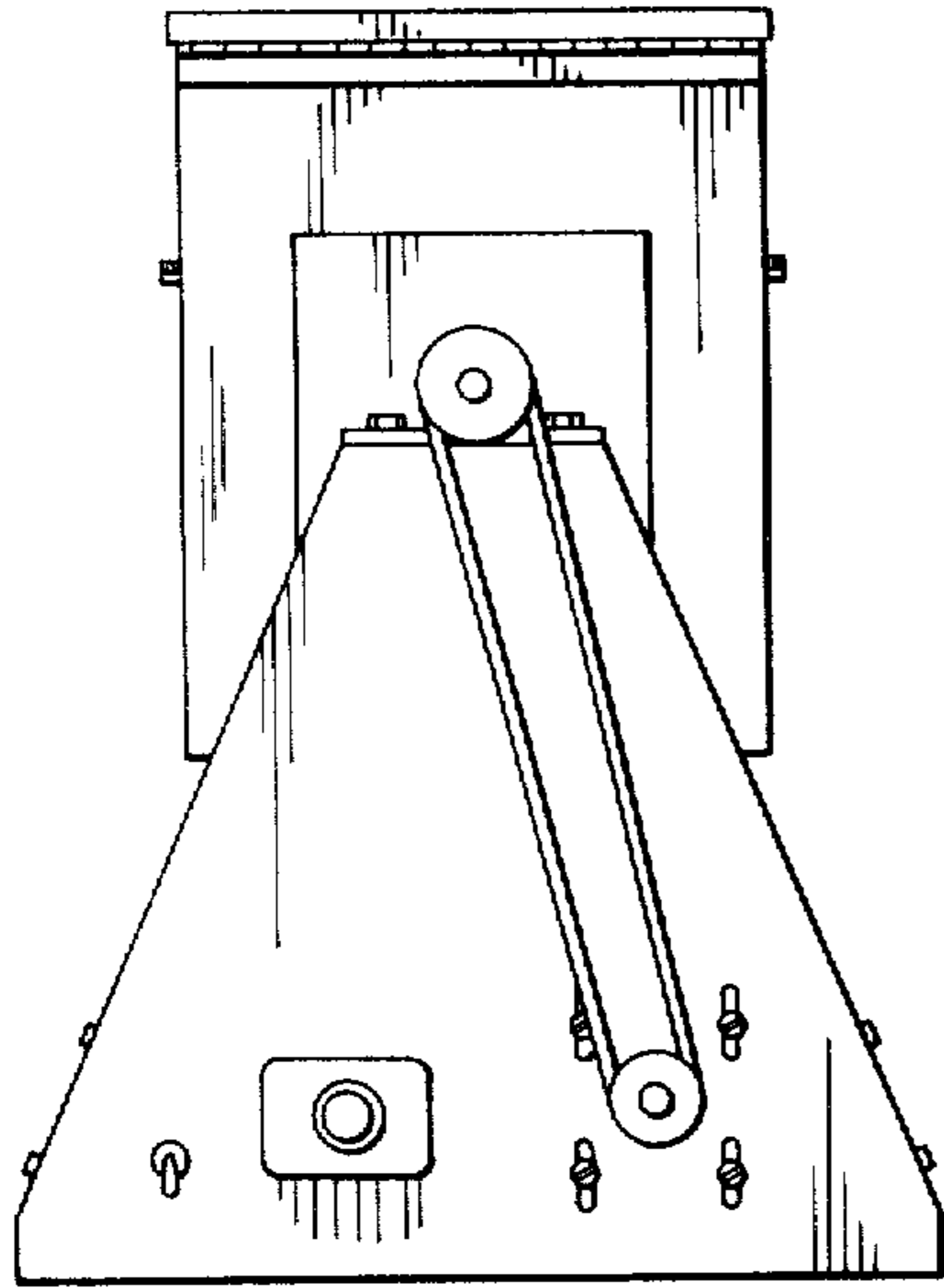
[56] **References Cited**  
**U.S. PATENT DOCUMENTS**

99,612 2/1870 Wells ..... 366/220

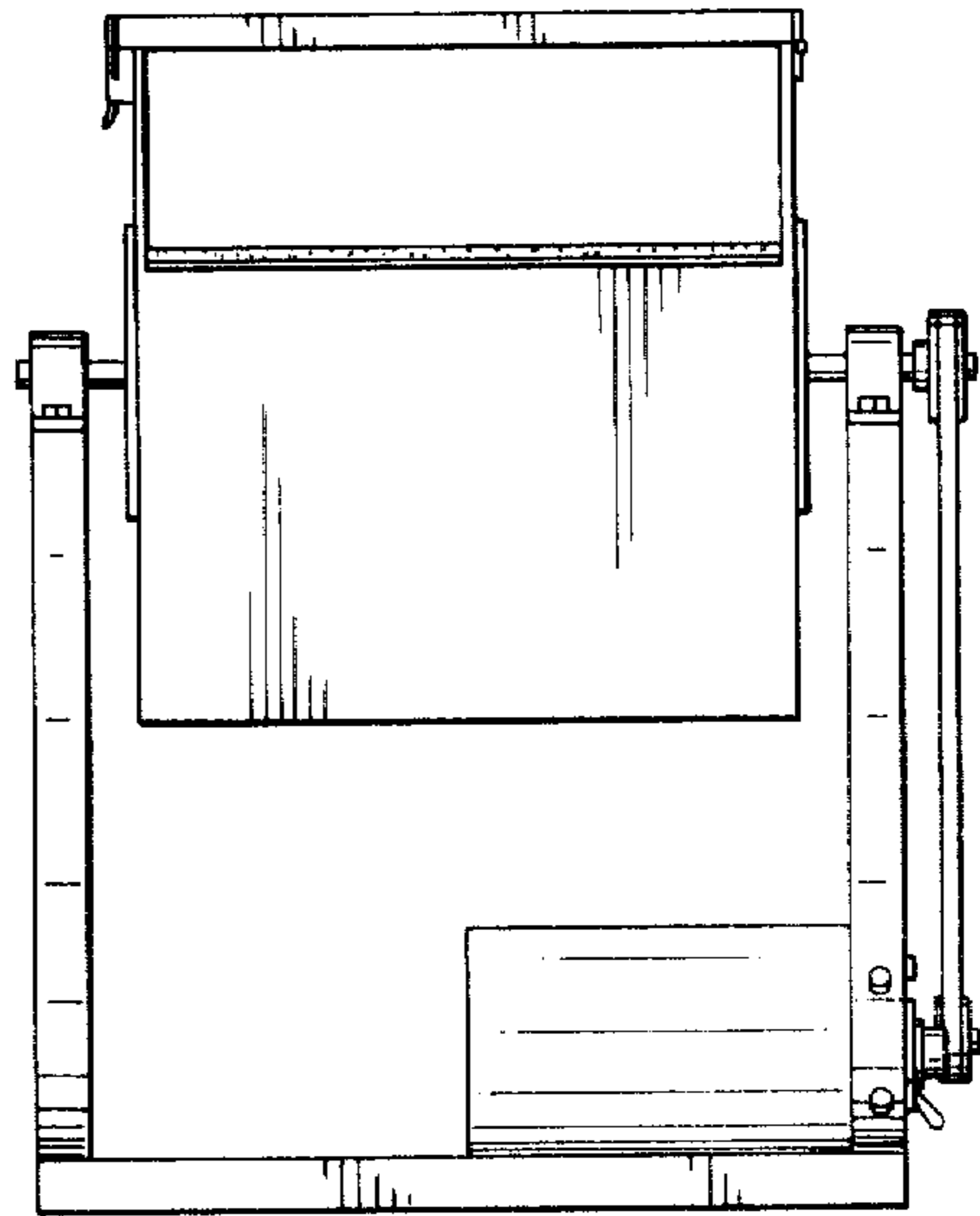
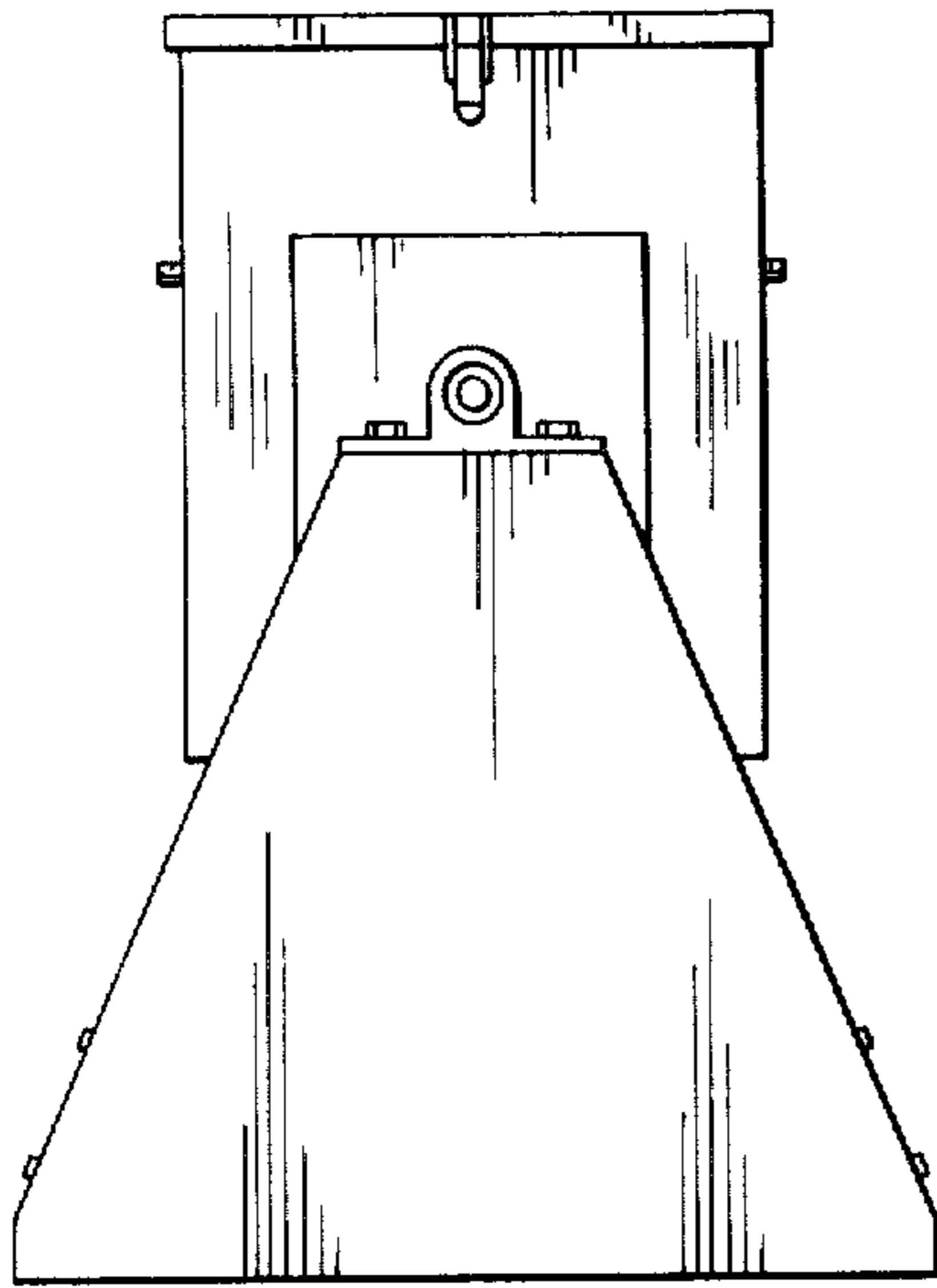
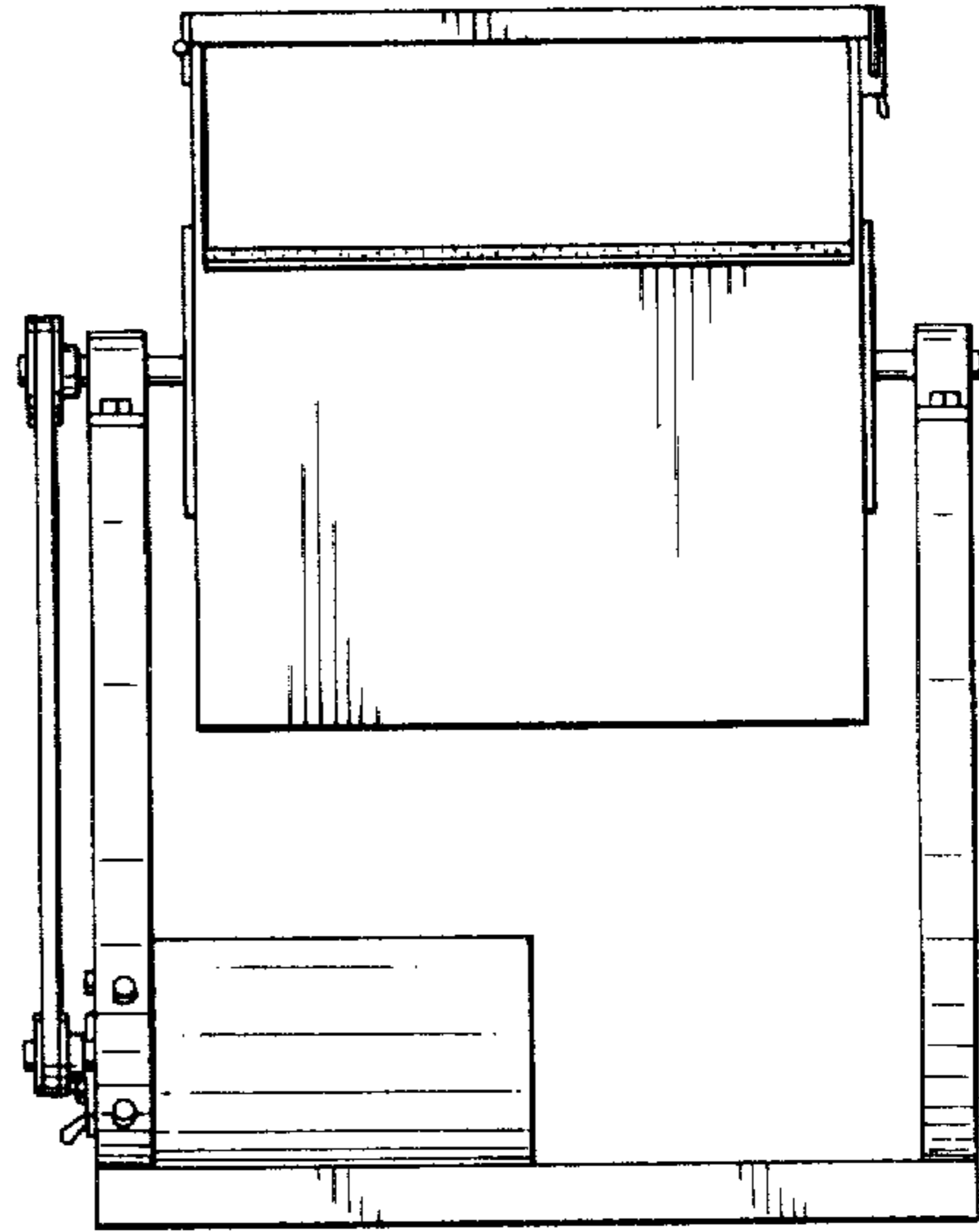
1,207,805 12/1916 Sjaugen ..... 366/214



*Fig. 1.*



*Fig. 2.*



*Fig. 3.*

*Fig. 4.*

*Fig. 5.*

