

[54] ADJUSTABLE STOP FOR POSITIONING A WORKPIECE IN A MILLING MACHINE OR THE LIKE

[75] Inventors: Walter E. Saupe, Corfu; Gregory D. Crawford, Batavia, both of N.Y.

[73] Assignee: Trison Manufacturing Inc., Corfu, N.Y.

[**] Term: 14 Years

[21] Appl. No.: 129,416

[22] Filed: Mar. 12, 1980

[51] Int. Cl. D15-09

[52] U.S. Cl. D15/131; D15/138

[58] Field of Search D15/131, 138, 140; 409/218

[56] References Cited

U.S. PATENT DOCUMENTS

3,961,557 8/1976 Jezowski 409/218
4,020,742 5/1977 Raymond 409/218

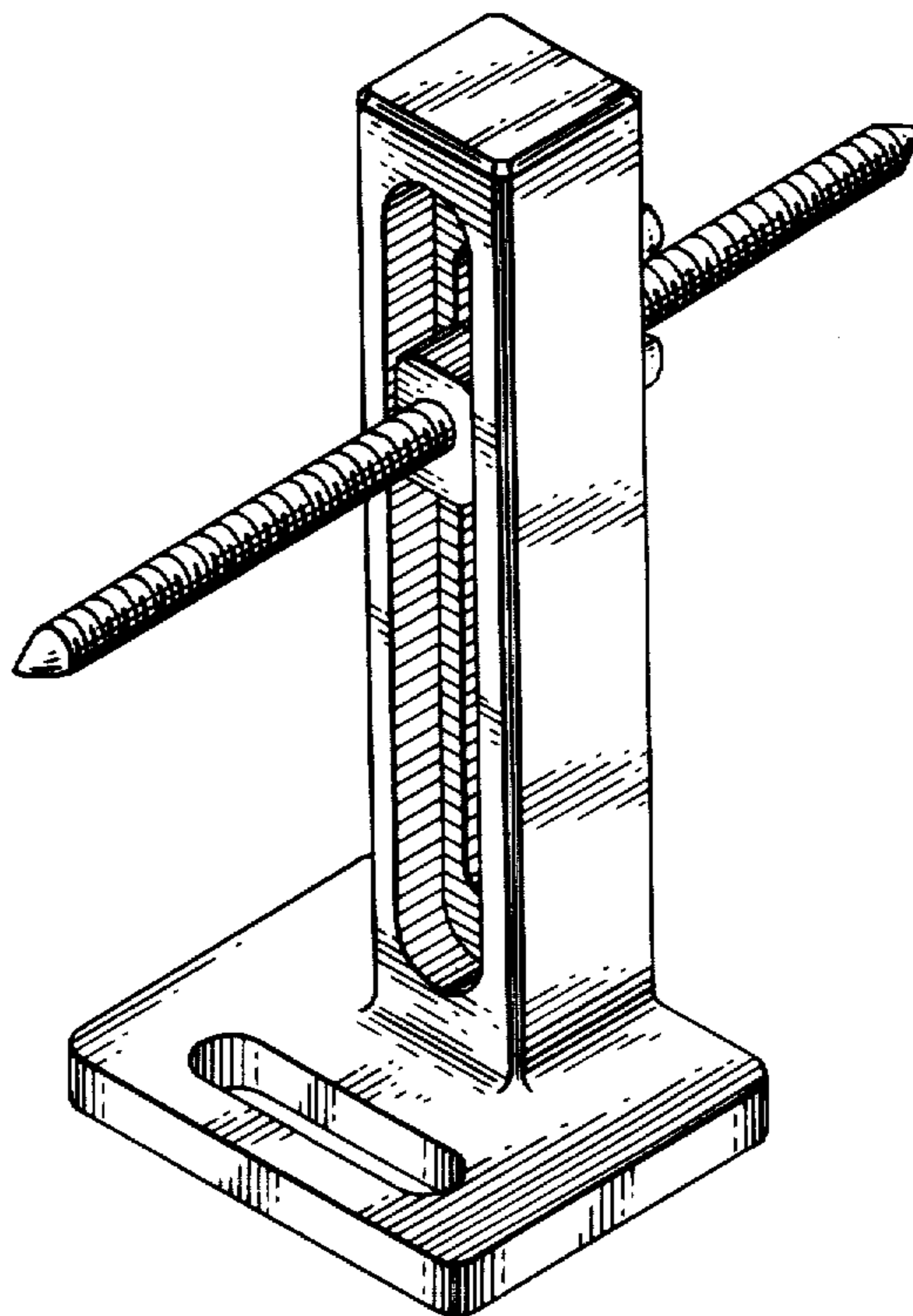
Primary Examiner—B. J. Bullock
Attorney, Agent, or Firm—Bean, Kauffman & Bean

[57] CLAIM

The ornamental design for an adjustable stop for positioning a workpiece in a milling machine or the like, as shown.

DESCRIPTION

FIG. 1 is a front perspective view of an adjustable stop for positioning a workpiece in a milling machine or the like showing our new design;
FIG. 2 is a rear perspective view thereof;
FIG. 3 is a side elevational view taken from the right of FIG. 1;
FIG. 4 is a side elevational view taken from the left of FIG. 1;
FIG. 5 is a sectional view taken in the direction of the arrows on line 5-5 of FIG. 3.



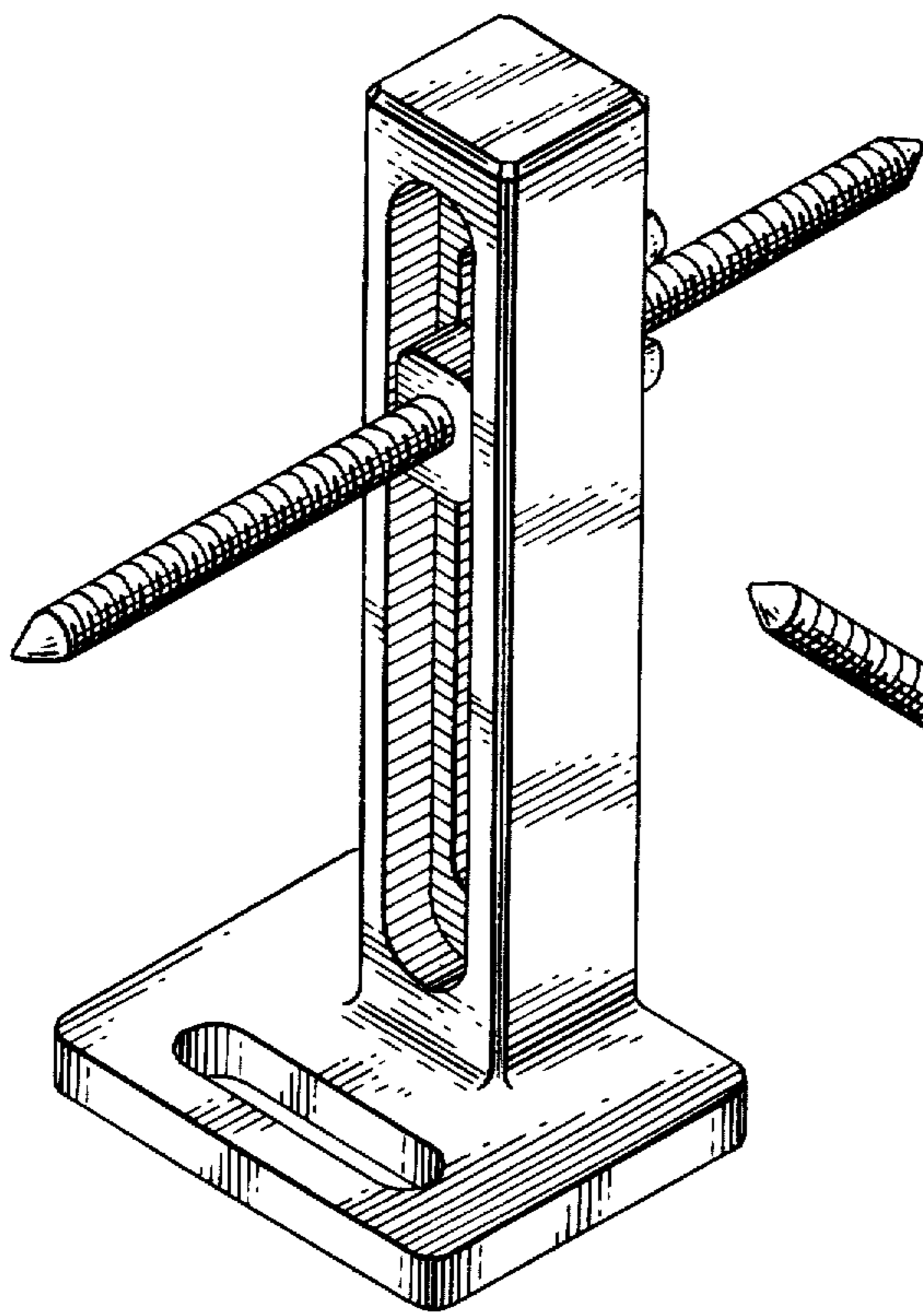


Fig. 1.

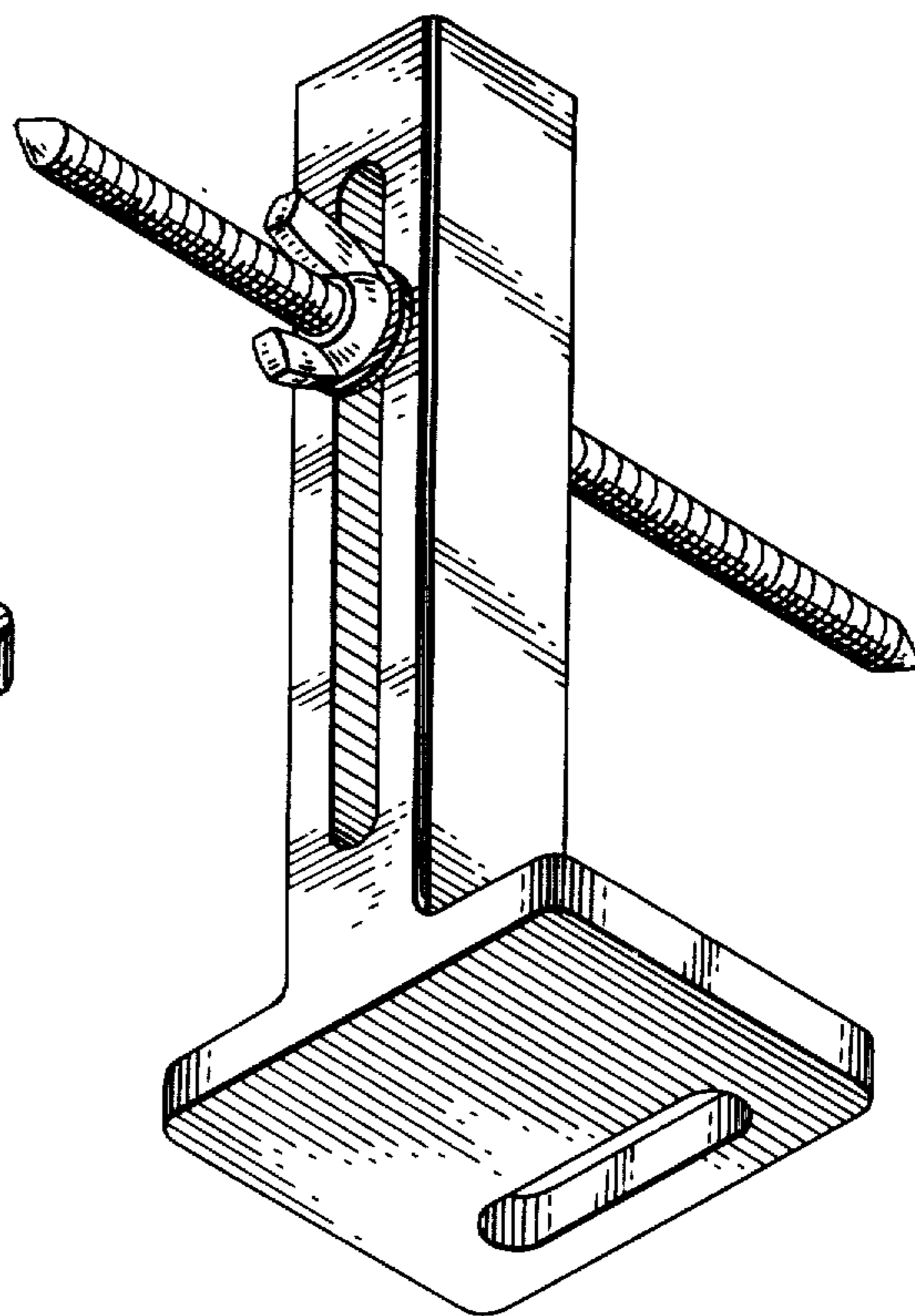


Fig. 2.

Fig. 3.

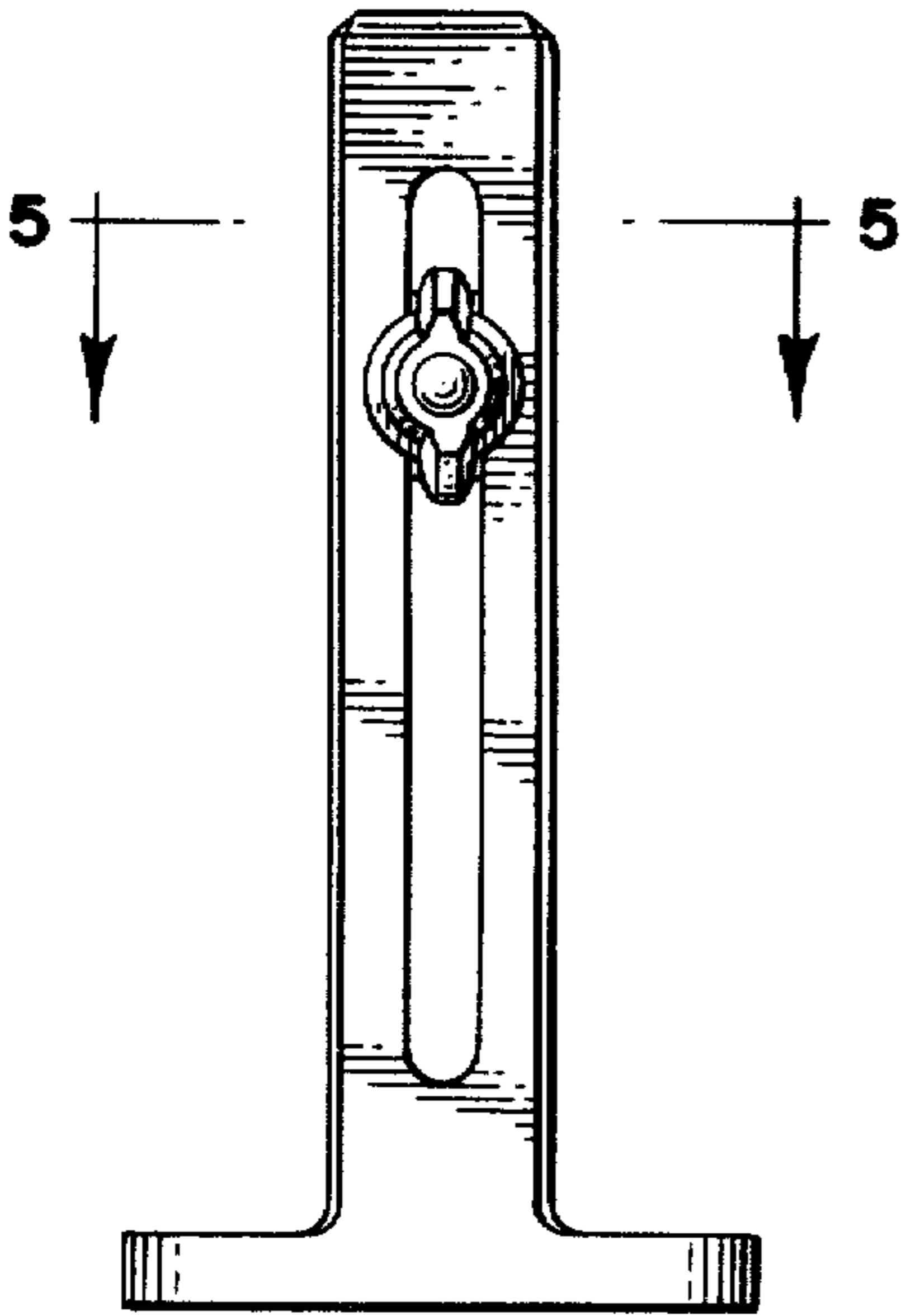


Fig. 4.

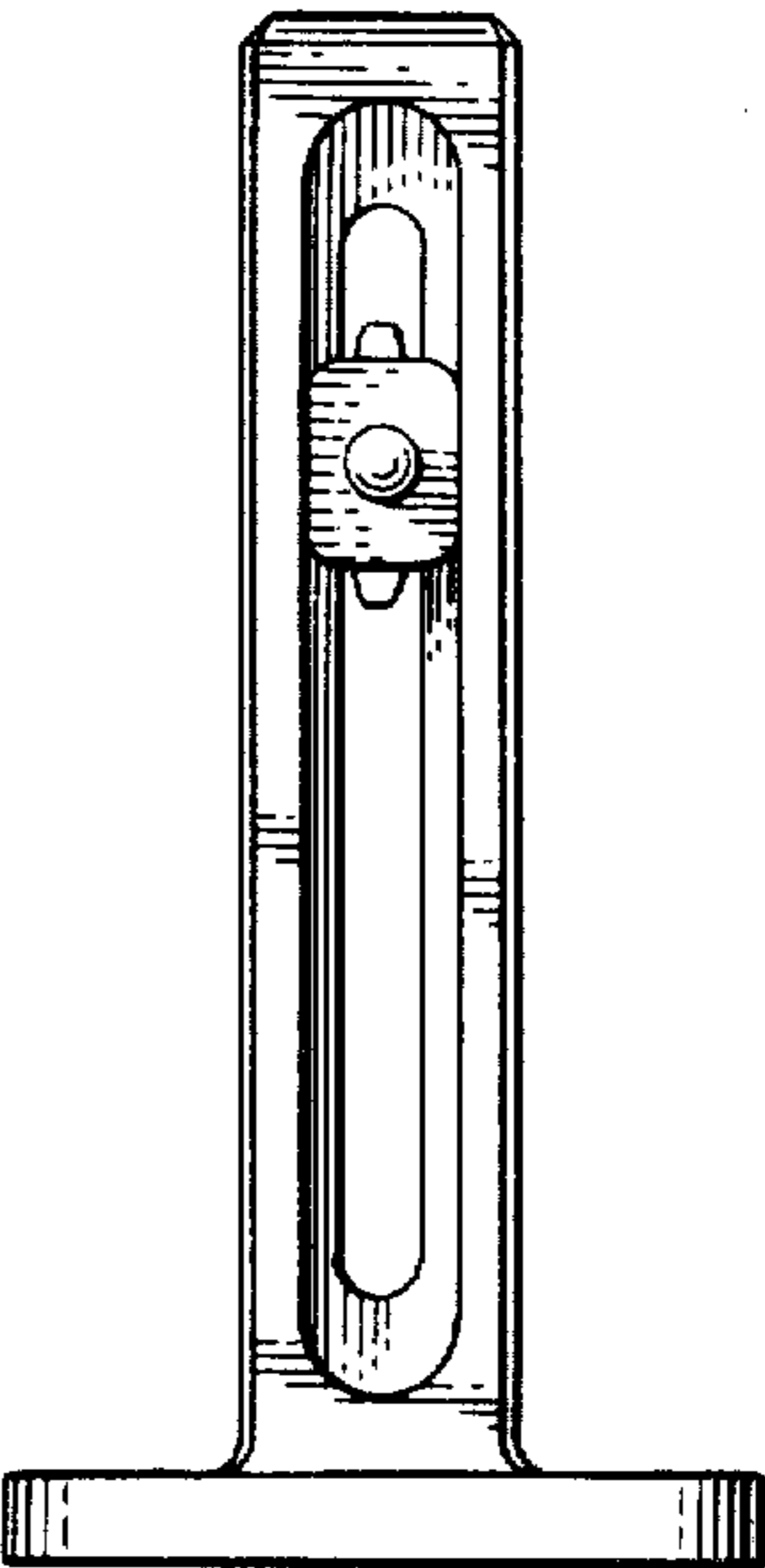


Fig. 5.

