

[54] **DISPENSING HEAD FOR PARTICULATE MATERIAL**

[75] Inventors: **Joel R. Kaplan, Buchanan; Thomas J. Johnston, Mount Kisco, both of N.Y.; Aloysious A. Jendrisak, Cuyahoga Falls, Ohio**

[73] Assignee: **General Foods Corporation, White Plains, N.Y.**

[**] Term: **14 Years**

[21] Appl. No.: **130,324**

[22] Filed: **Mar. 14, 1980**

[51] Int. Cl. **D15—08**

[52] U.S. Cl. **D15/111; D7/52; D9/447**

[58] Field of Search **D7/39, 52, 54, 59, 76, D7/111; D9/336, 352, 359-366, 435, 447, 449, 454; D15/92, 111, 119, 120; D16/27; 141/321; 206/536; 222/106, 142.1-145, 173, 181, 185, 196-196.4, 226, 227, 229, 238, 244, 355, 456, 480, 559**

[56] **References Cited**

U.S. PATENT DOCUMENTS

D. 89,479 3/1933 Bell D7/52

D. 242,517 11/1976 Capron D9/447

3,204,833 9/1965 Weitzner D15/111

Primary Examiner—Leland A. Sebastian

Attorney, Agent, or Firm—Thomas R. Savoie; Daniel J. Donovan

[57] **CLAIM**

The ornamental design for a dispensing head for particulate material, as shown and described.

DESCRIPTION

FIG. 1 is a top perspective view of a dispensing head for particulate material showing our new design in conjunction with a jar or similar vessel, the jar or similar vessel being shown in dashed lines for illustrative purposes only;

FIG. 2 is a side elevational view thereof;

FIG. 3 is a front elevational view thereof;

FIG. 4 is a rear elevational view thereof; and

FIG. 5 is a bottom plan view thereof.

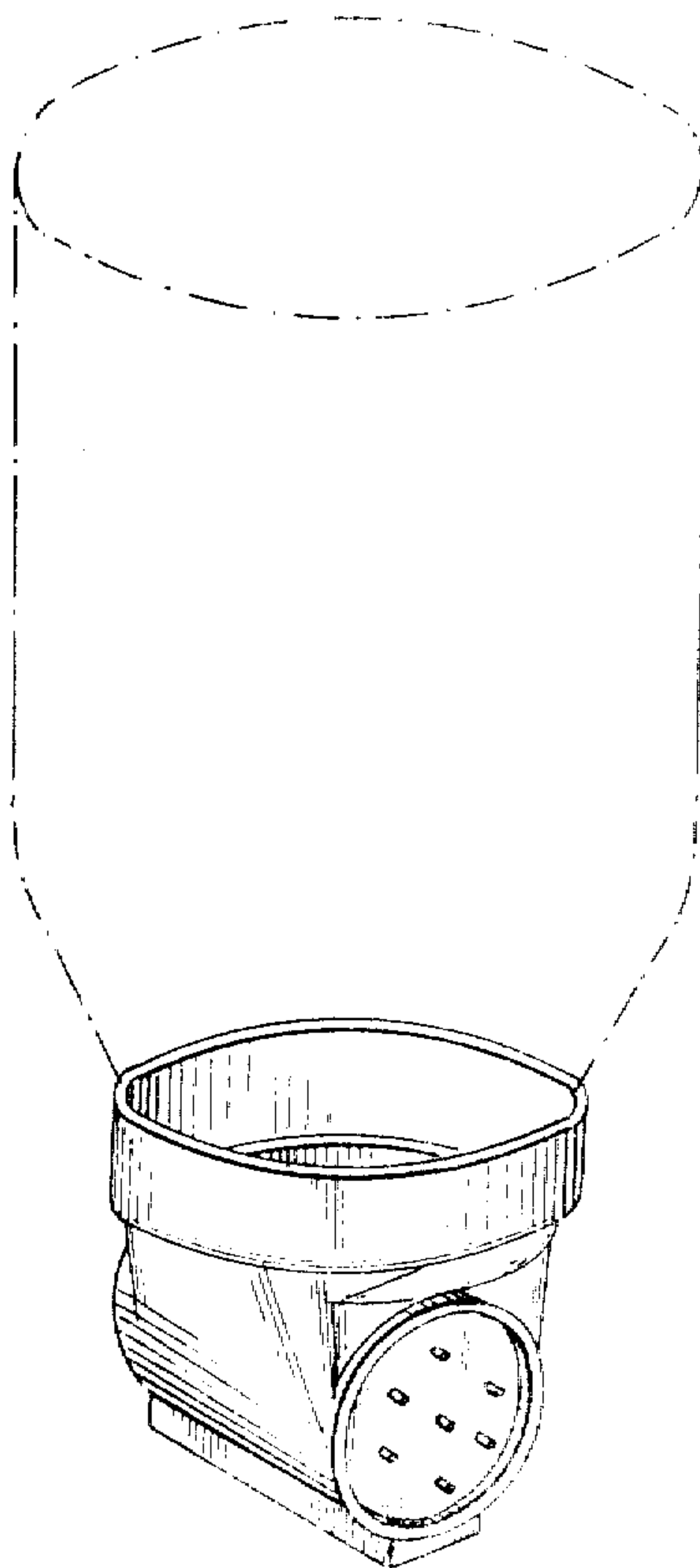


FIG. 1.

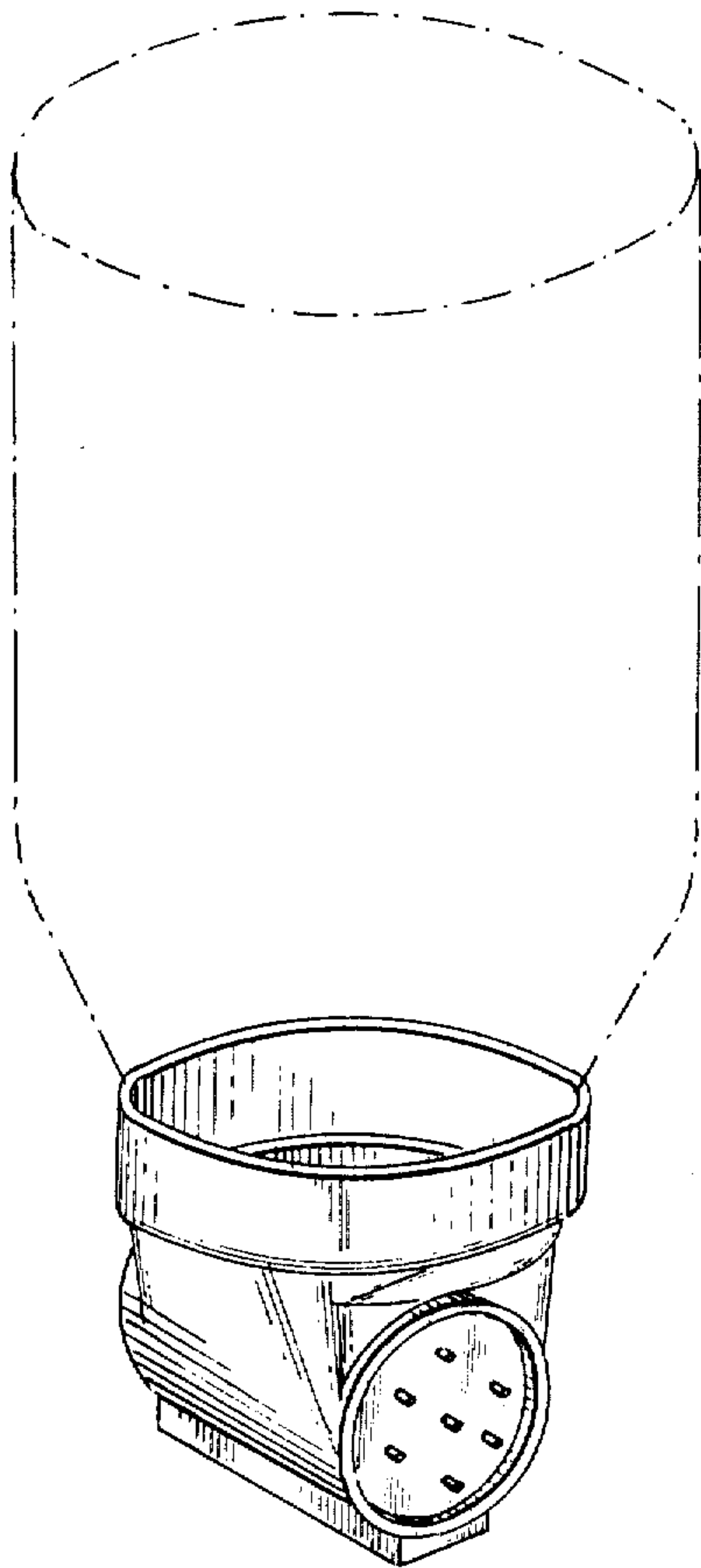


FIG. 2.

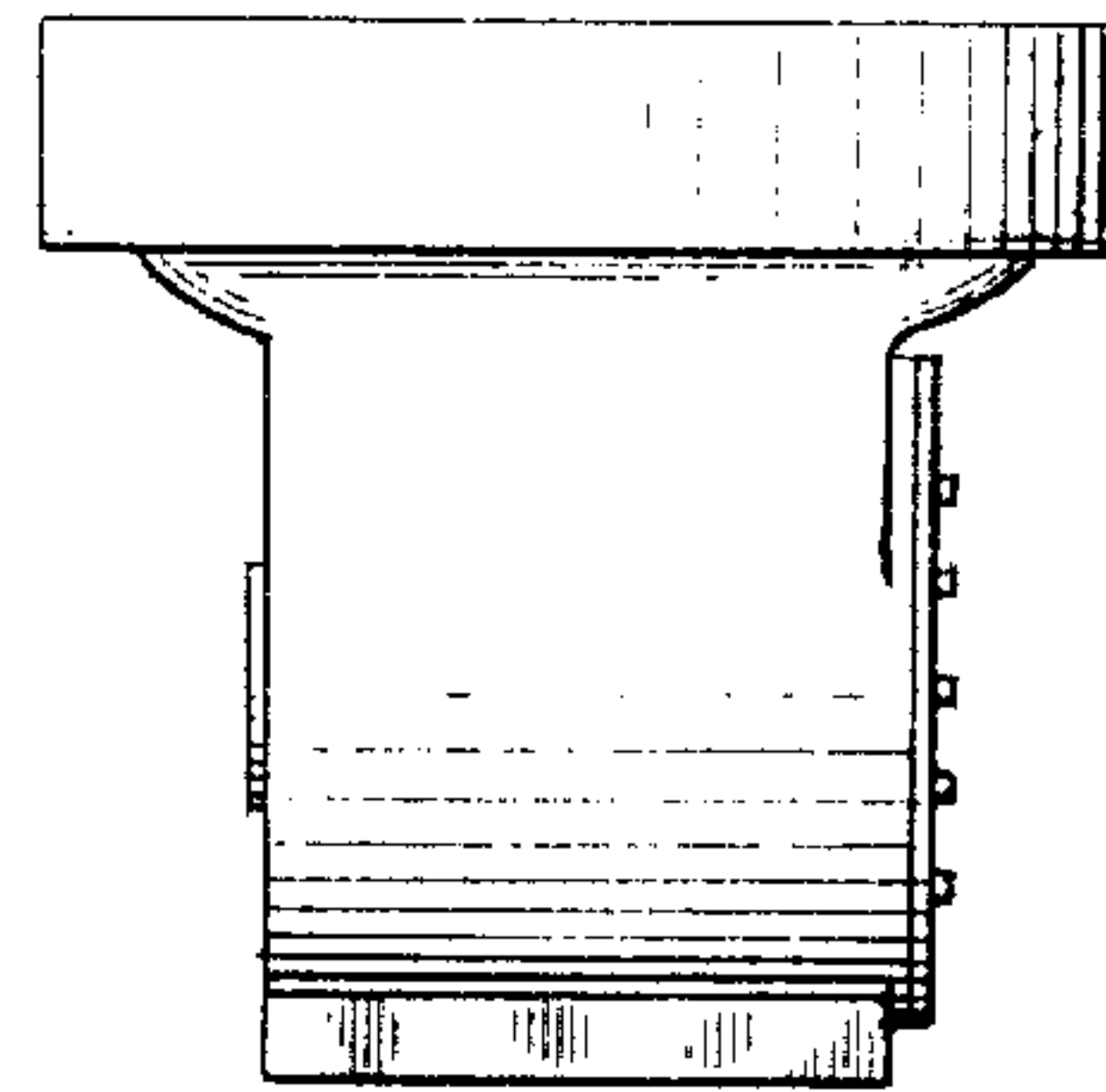


FIG. 3.

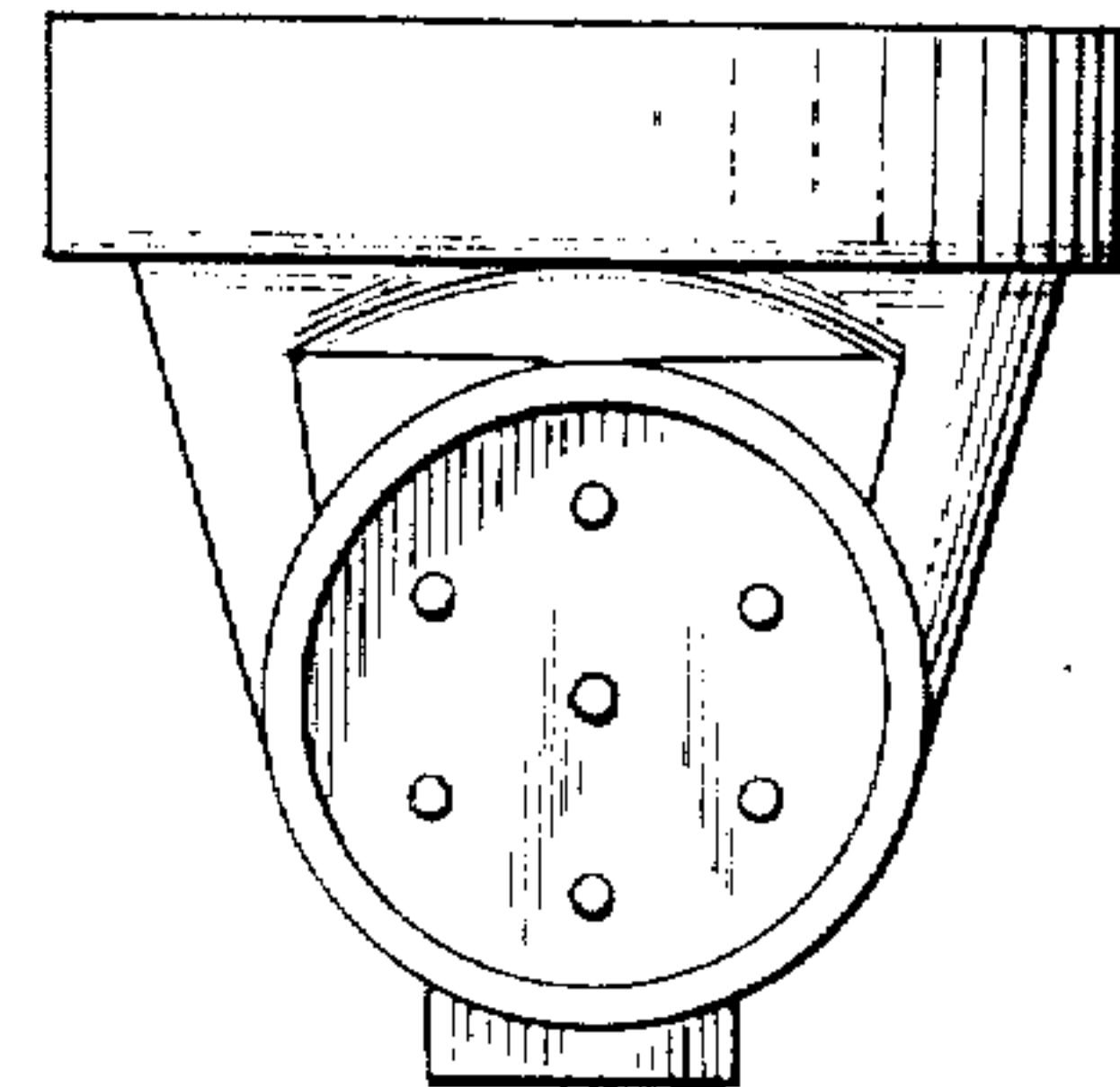


FIG. 4.

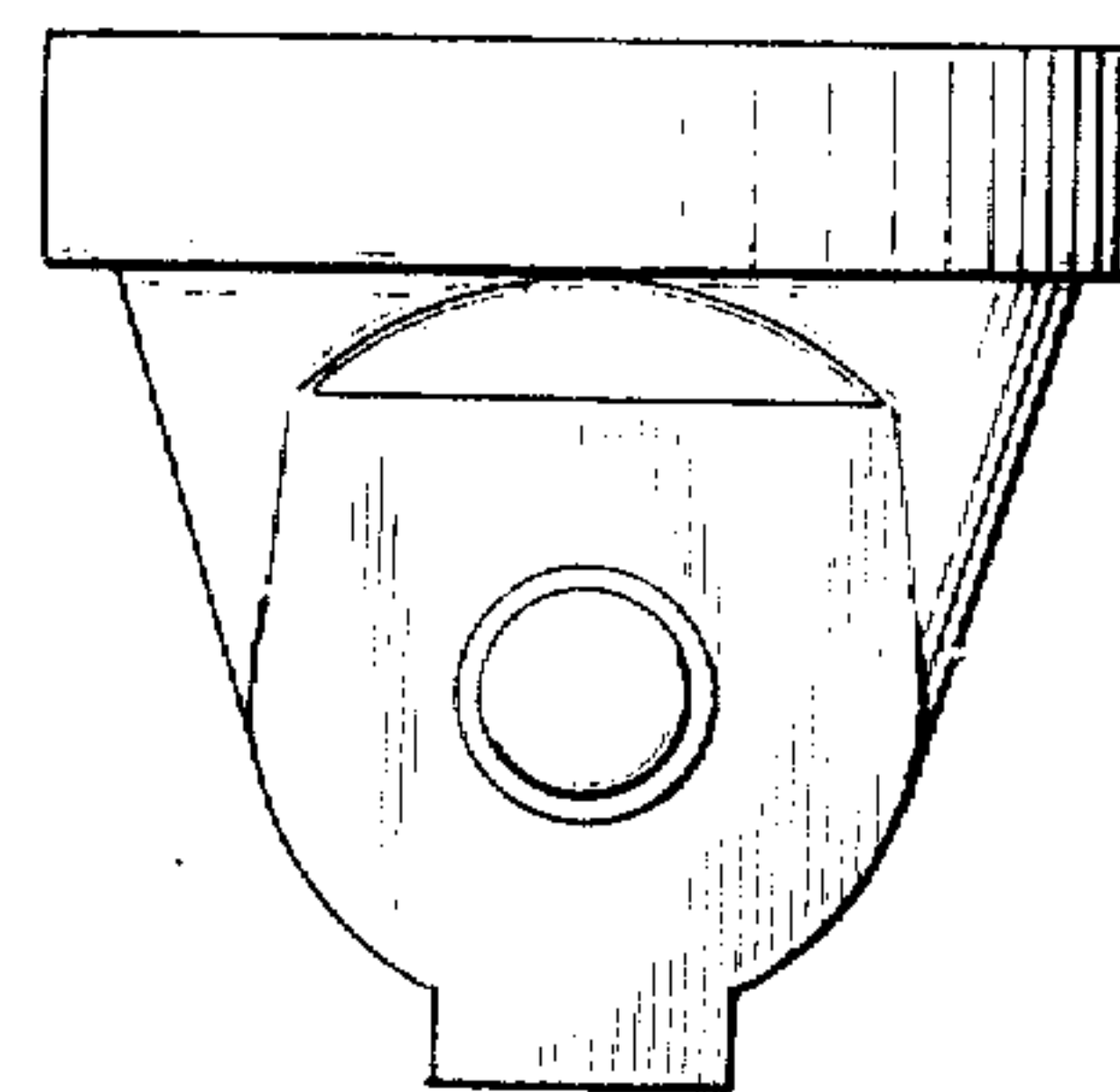


FIG. 5.

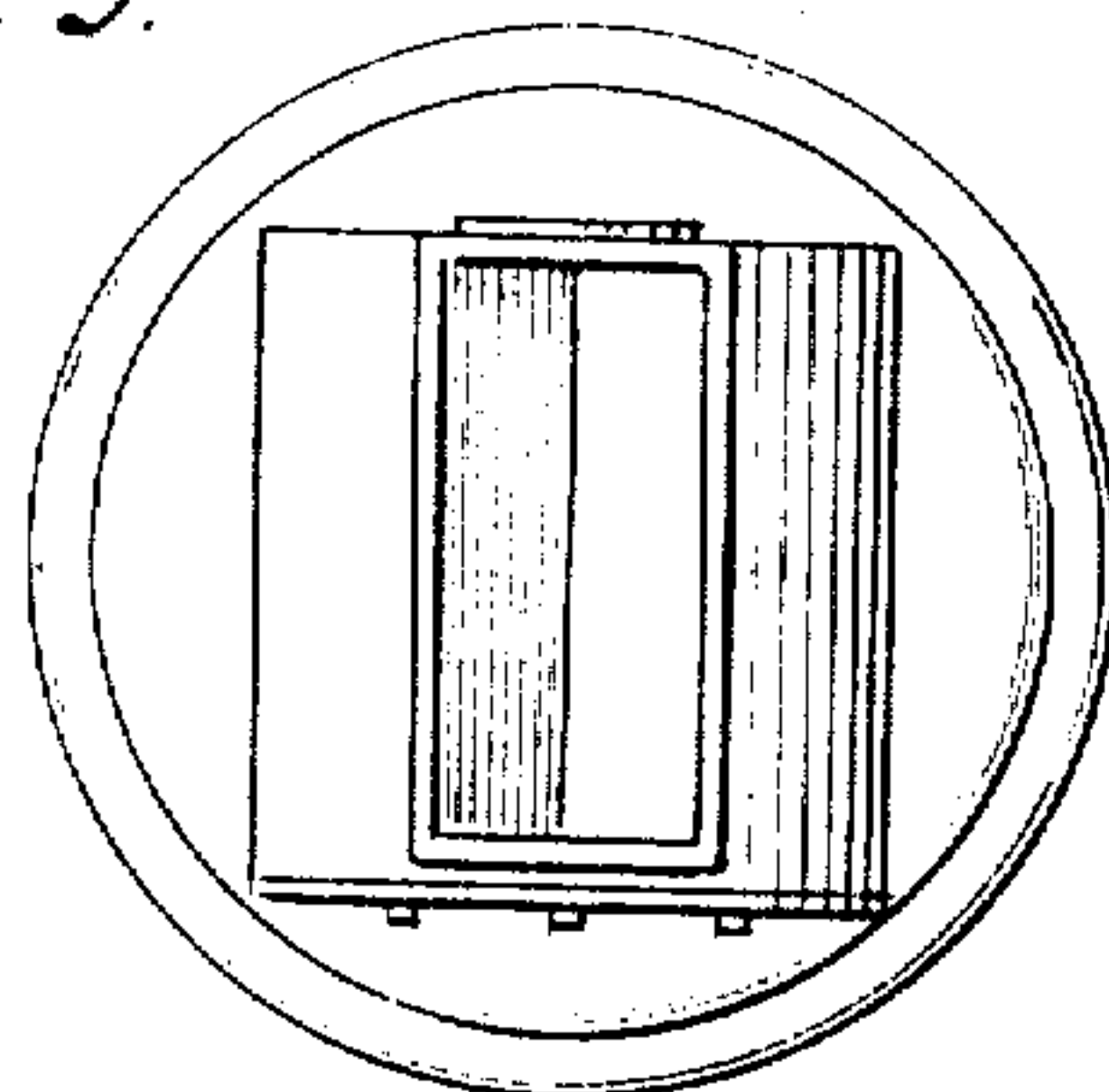


FIG. 1.

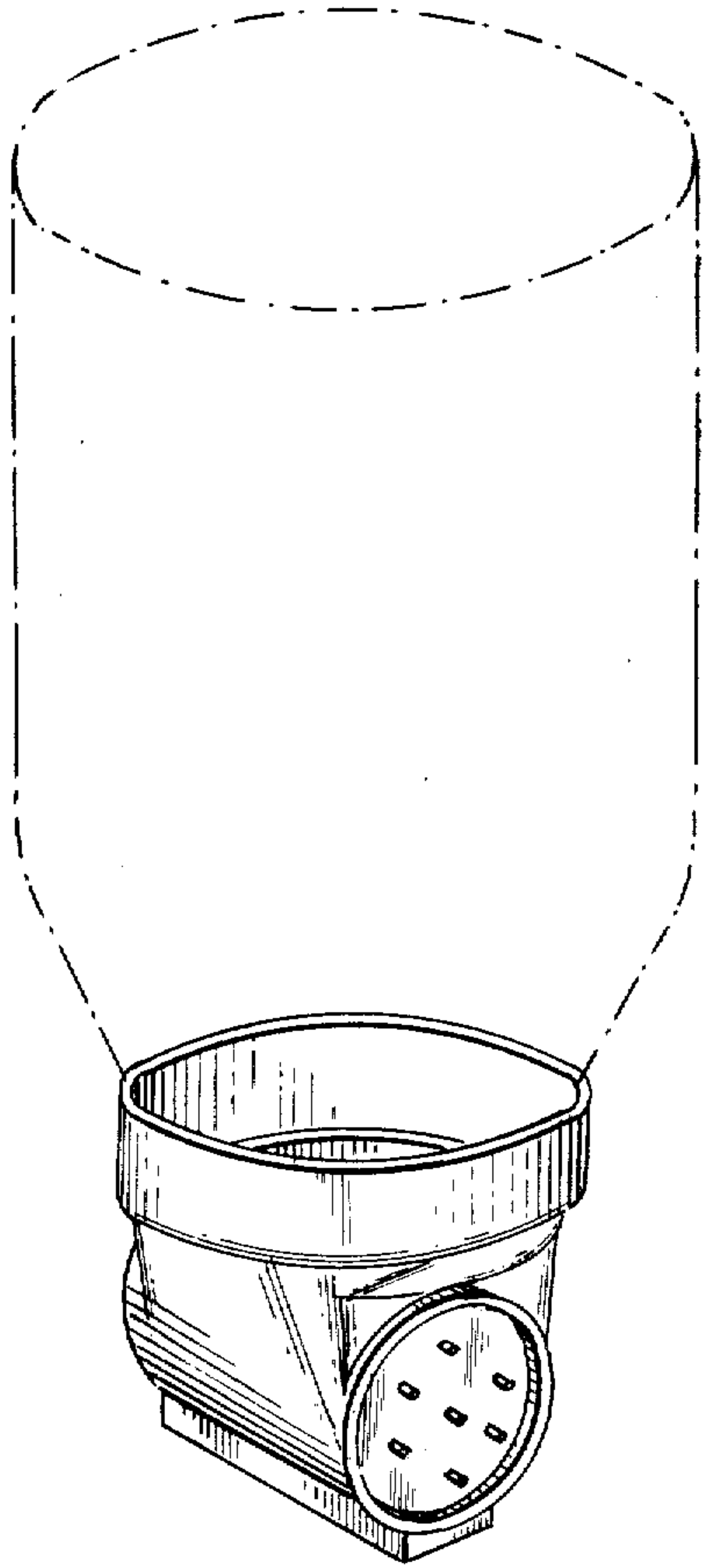


FIG. 2.

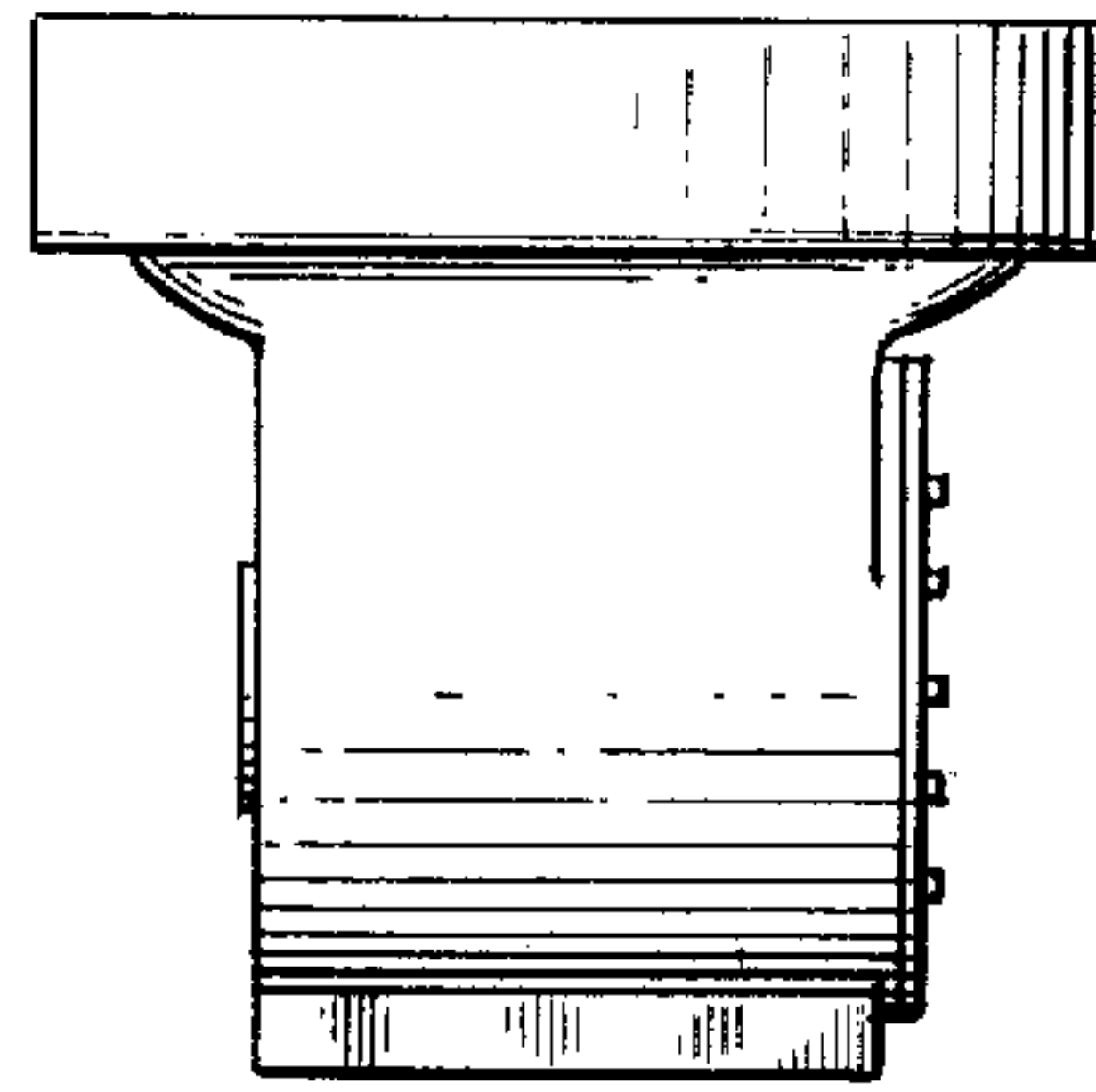


FIG. 3.

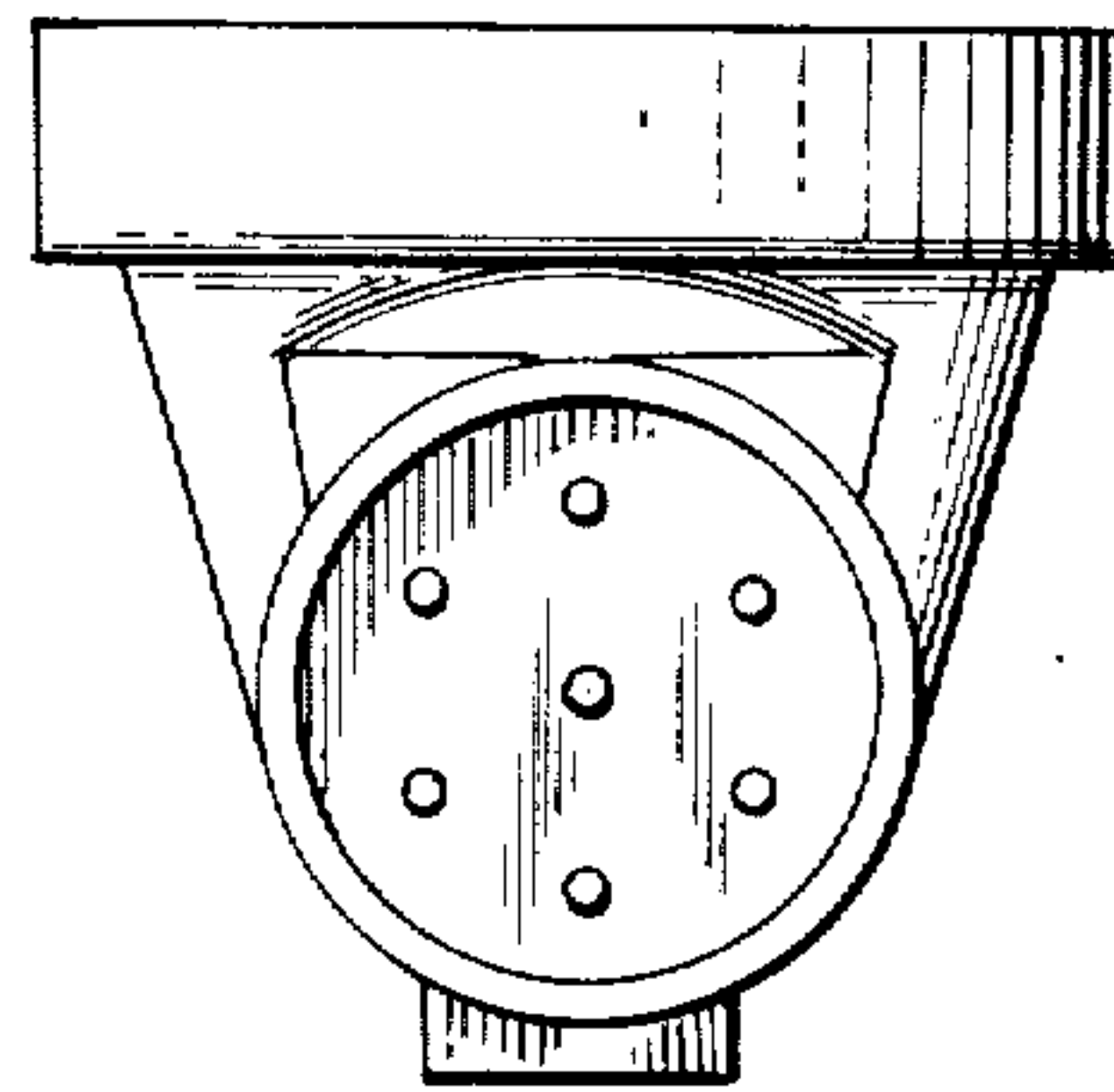


FIG. 5.

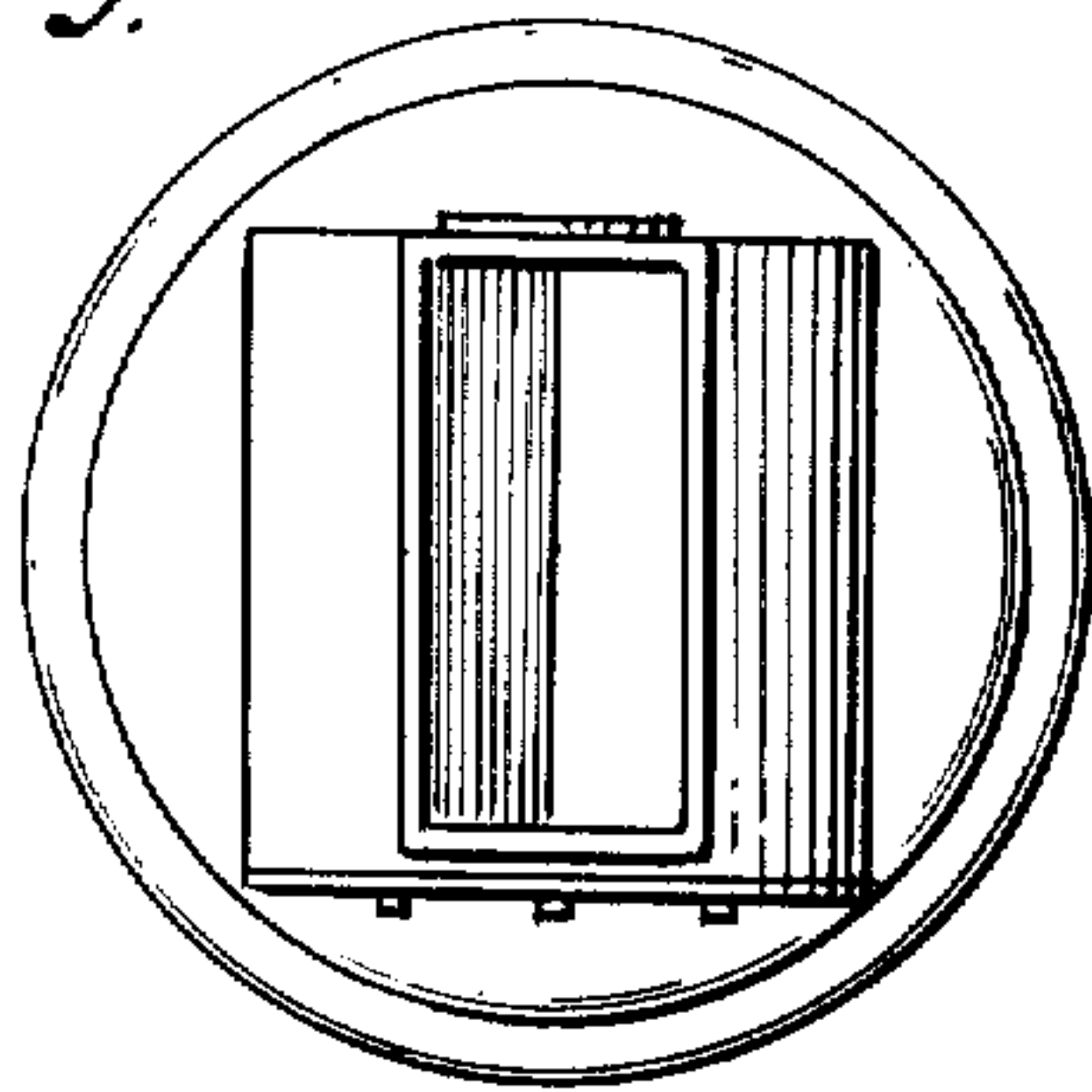


FIG. 4.

