

[54] **MOBILE BEVERAGE COOLING AND DISPENSING UNIT**

[75] Inventors: **Lee Bowen, Michigan City; Gordon Miller, South Bend, both of Ind.**

[73] Assignee: **Tyler Refrigeration Corporation, Niles, Mich.**

[\*\*] Term: **14 Years**

[21] Appl. No.: **95,360**

[22] Filed: **Nov. 19, 1979**

[51] Int. Cl. .... **D15-08**

[52] U.S. Cl. .... **D15/116; D34/14**

[58] Field of Search ..... **D6/144, 167-177, D6/179, 191, 192; D8/315, 316, 319, 320; D12/22, 25, 27, 29; D15/79, 111, 112, 114-120; D24/1.1; 222/129, 129.1, 132; 312/229, 140.2**

[56] **References Cited**

**U.S. PATENT DOCUMENTS**

D. 183,006	6/1958	Leichter .....	D8/319
D. 228,214	8/1973	Michiels .....	D6/139
D. 235,009	4/1975	Thompson .....	D12/22
D. 249,613	9/1978	Burton .....	D6/174

**OTHER PUBLICATIONS**

Food Service Equipment Dealer, Aug. 1970, p. 38. Portable Bar in low left.

*Primary Examiner*—Leland A. Sebastian

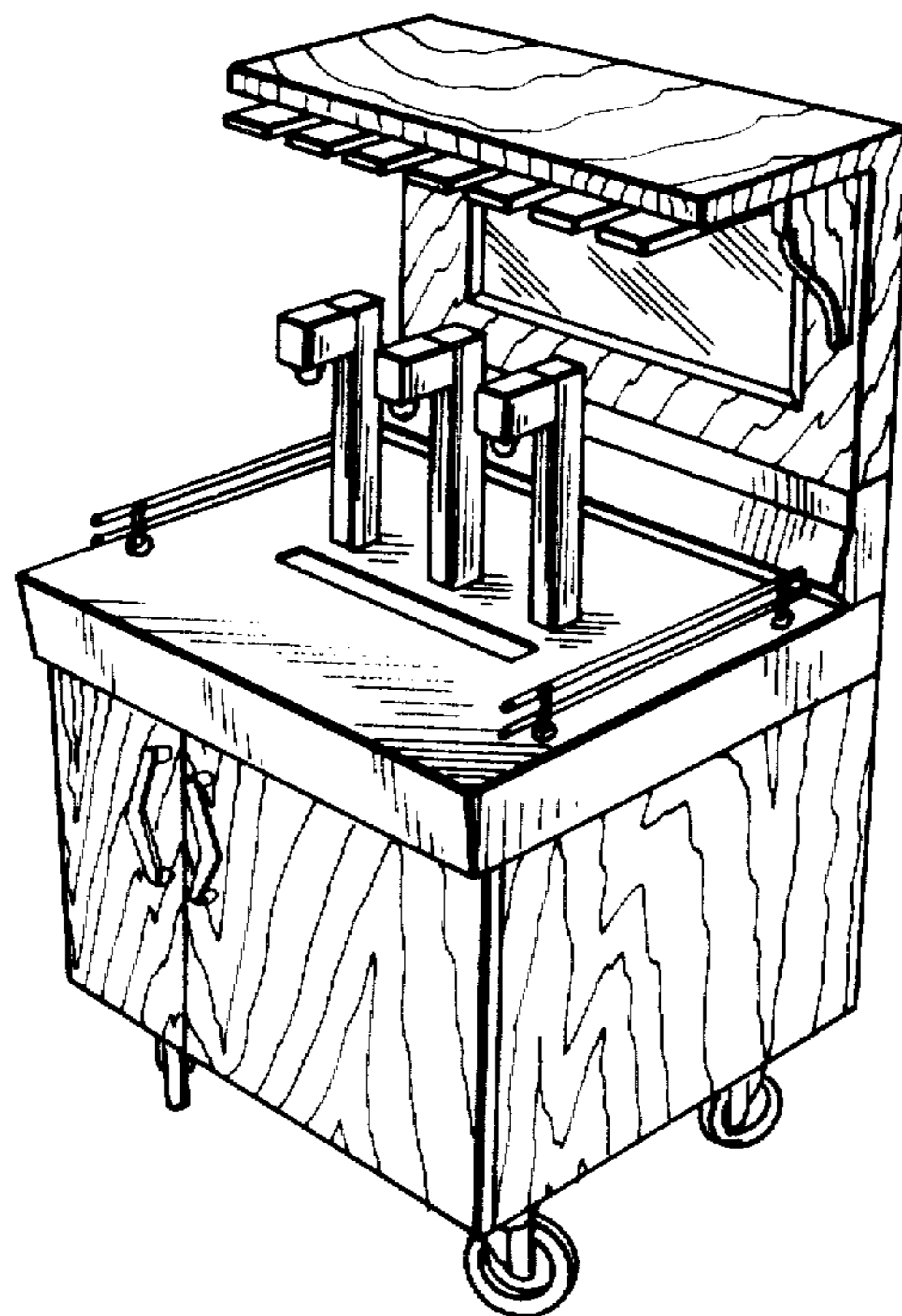
*Attorney, Agent, or Firm*—LeBlanc, Nolan, Shur & Nies

[57] **CLAIM**

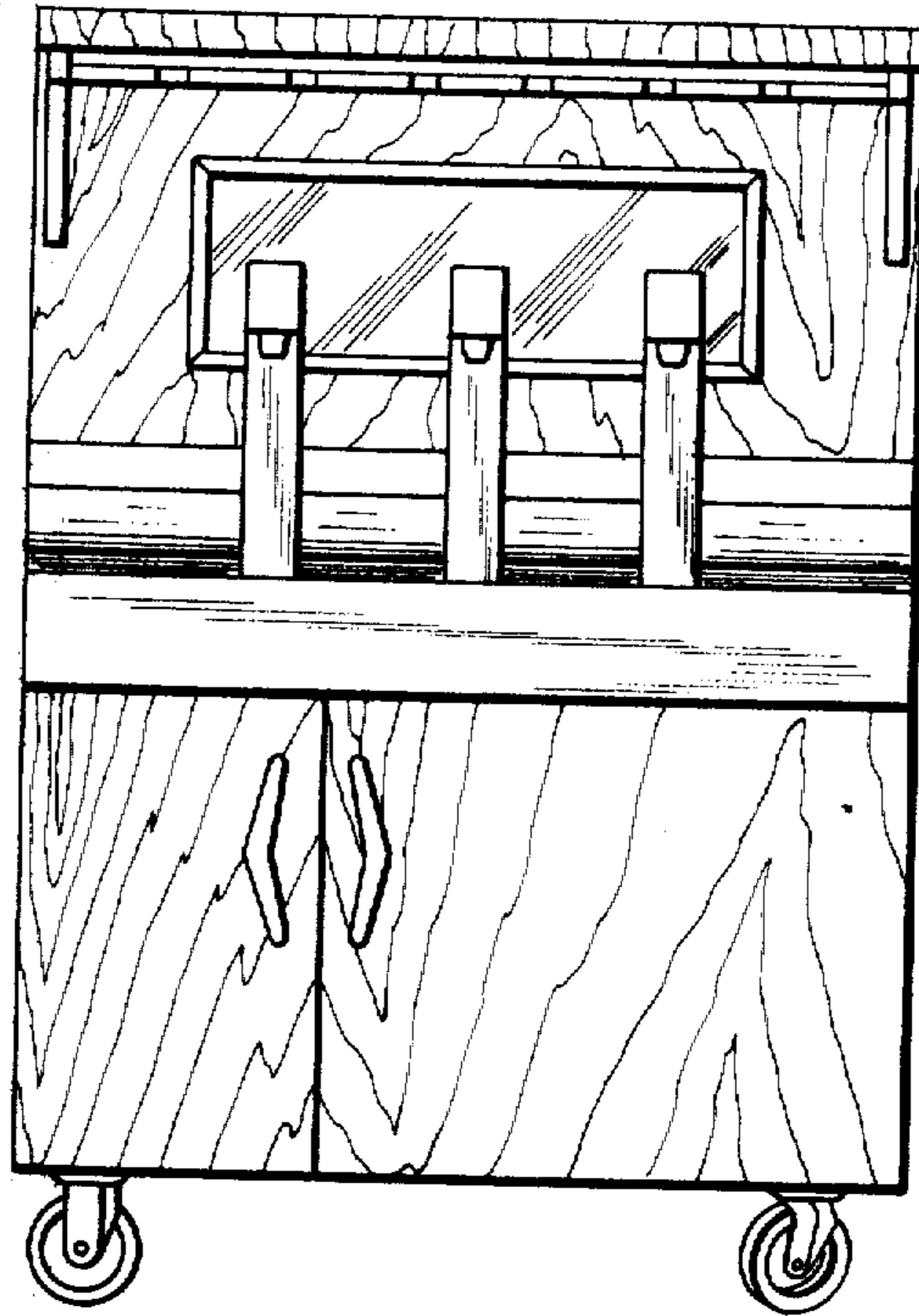
The ornamental design for a mobile beverage cooling and dispensing unit, as shown and described.

**DESCRIPTION**

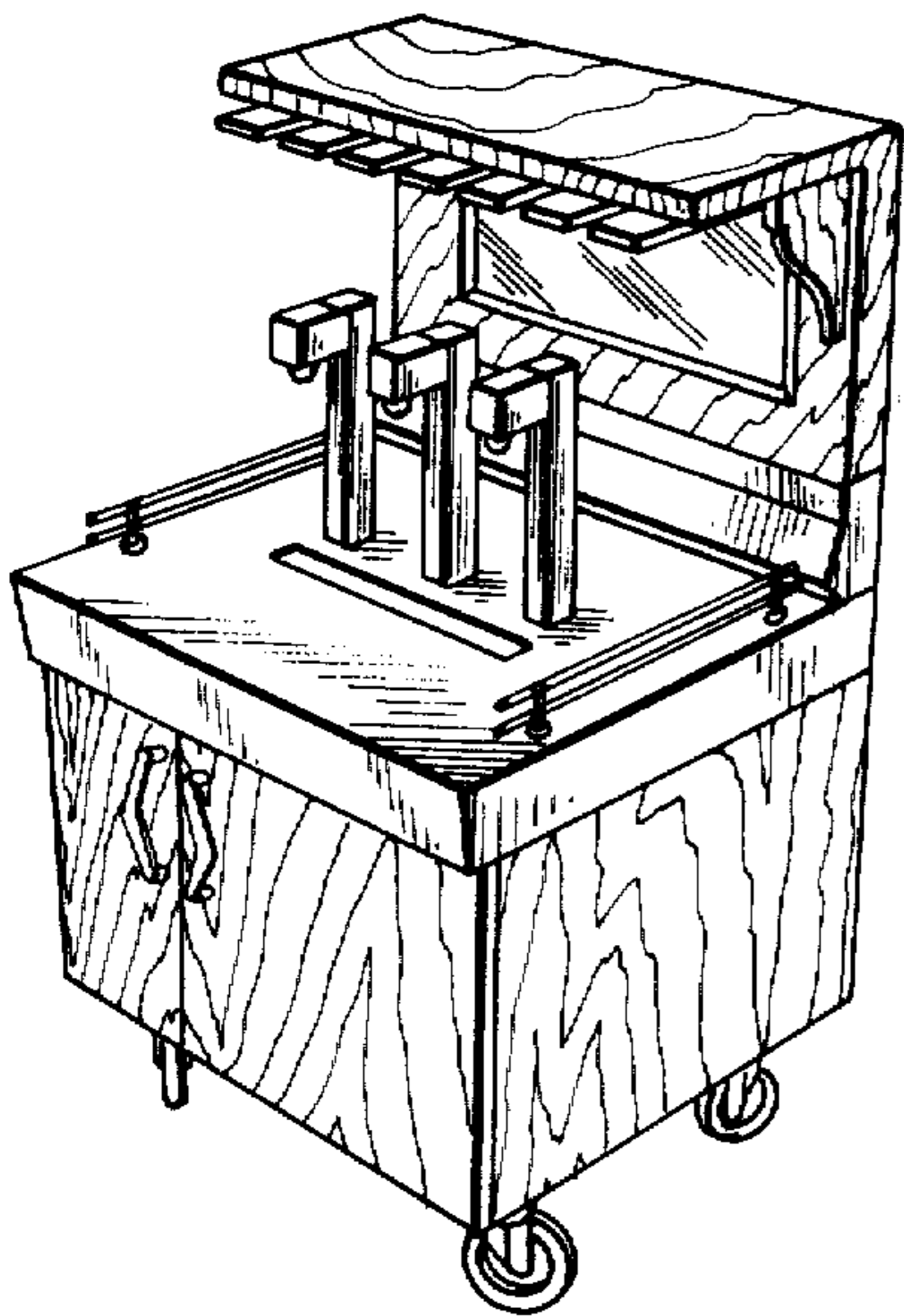
FIG. 1 is a front elevational view of a mobile beverage cooling and dispensing unit showing our new design; FIG. 2 is a right front perspective view thereof; and FIG. 3 is a left rear perspective view thereof.



**Fig. 1**



**Fig. 2**



**Fig. 3**

