

[54] **TREE SHAKER**

[75] Inventor: **Basil W. Savage, Sr., Madill, Okla.**

[73] Assignee: **Savage Equipment, Inc., Madill, Okla.**

[\*\*] Term: **14 Years**

[21] Appl. No.: **58,131**

[22] Filed: **Jul. 16, 1979**

[51] Int. Cl. .... **D15—03**

[52] U.S. Cl. .... **D15/28**

[58] Field of Search ..... **D15/28, 10; 56/328 TS**

[56] **References Cited**

**U.S. PATENT DOCUMENTS**

3,771,301 11/1973 Favor ..... 56/328 TS  
3,812,662 5/1974 Savage ..... 56/328 TS

*Primary Examiner*—James M. Gandy  
*Attorney, Agent, or Firm*—Laney, Dougherty, Hessin  
and Beavers

[57] **CLAIM**

The ornamental design for a tree shaker, substantially as shown and described.

**DESCRIPTION**

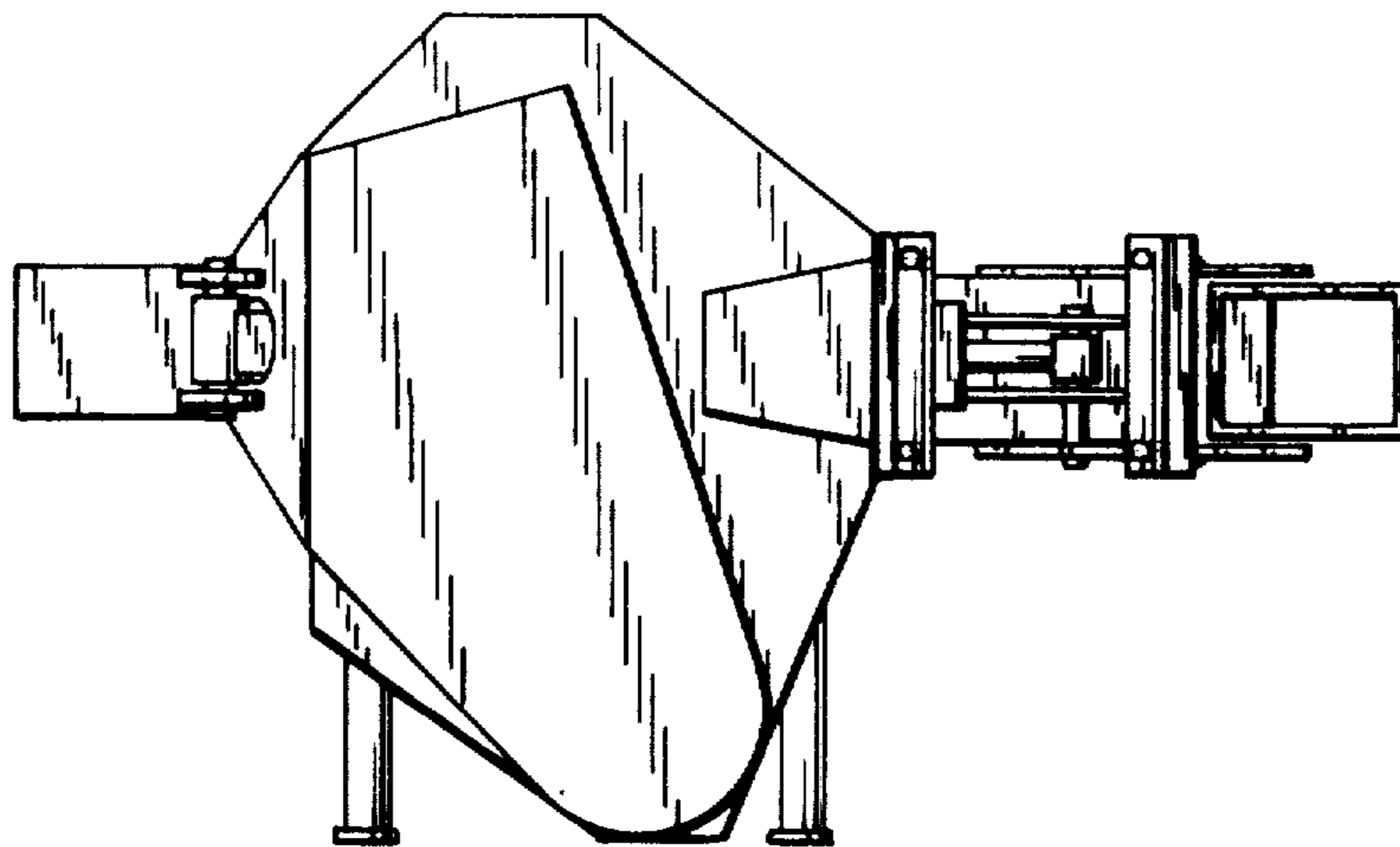
FIG. 1 is a rear elevation view of a tree shaker incorporating my new design.

FIG. 2 is a top plan view thereof.

FIG. 3 is a right side elevation view thereof.

FIG. 4 is a left side elevation view thereof.

FIG. 5 is a front elevation view thereof.



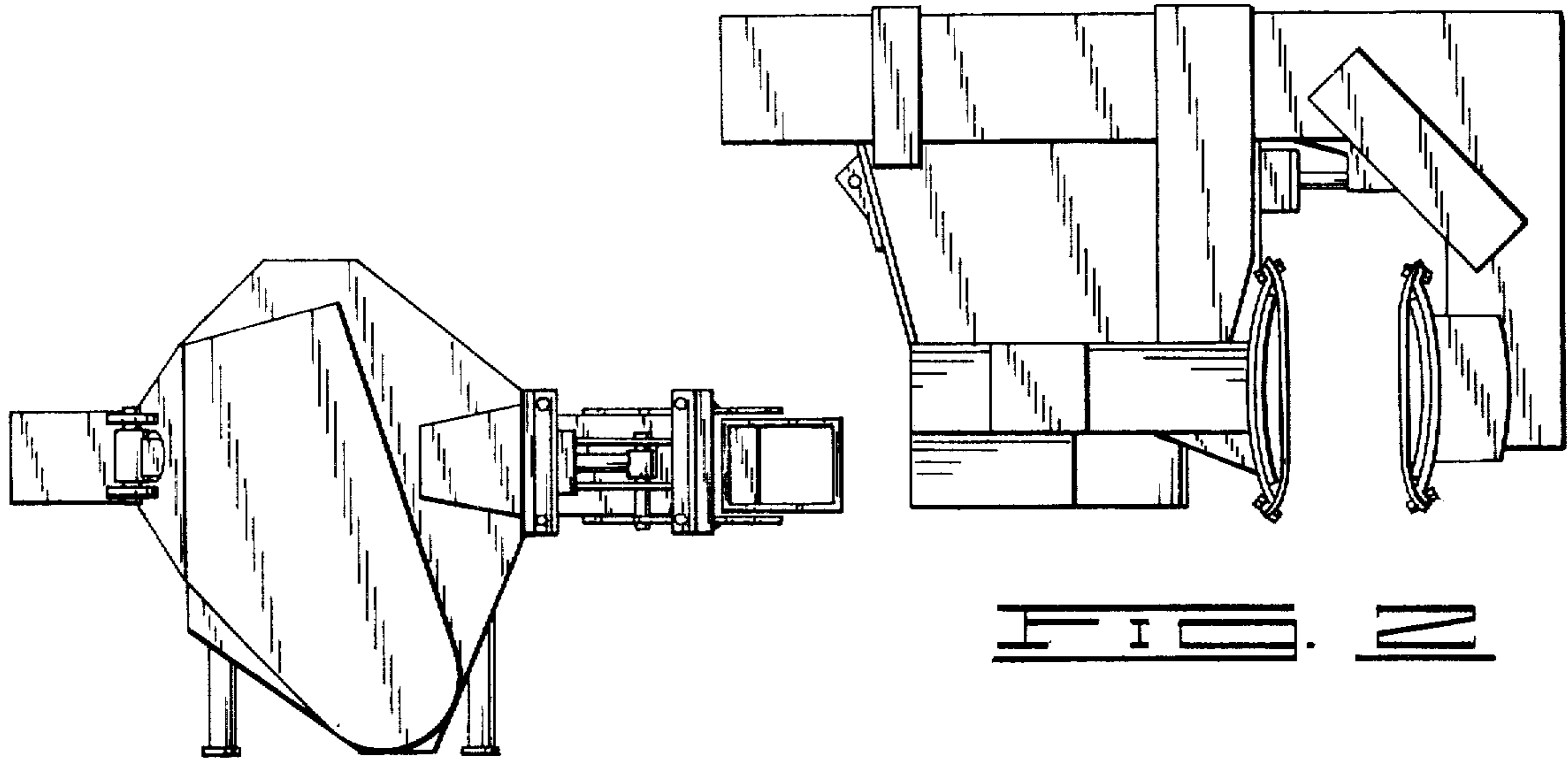


FIG. 1

FIG. 2

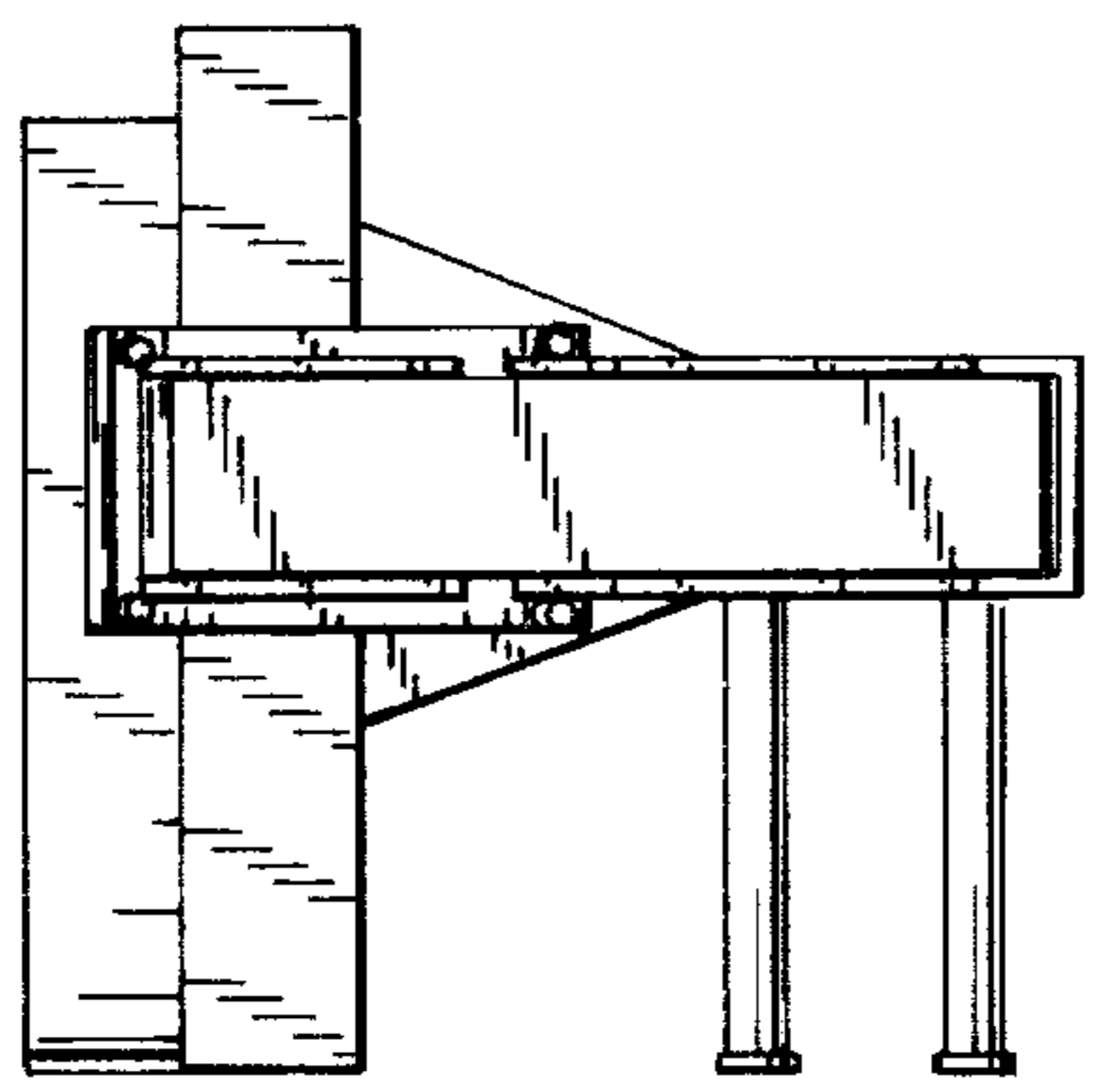


FIG. 3

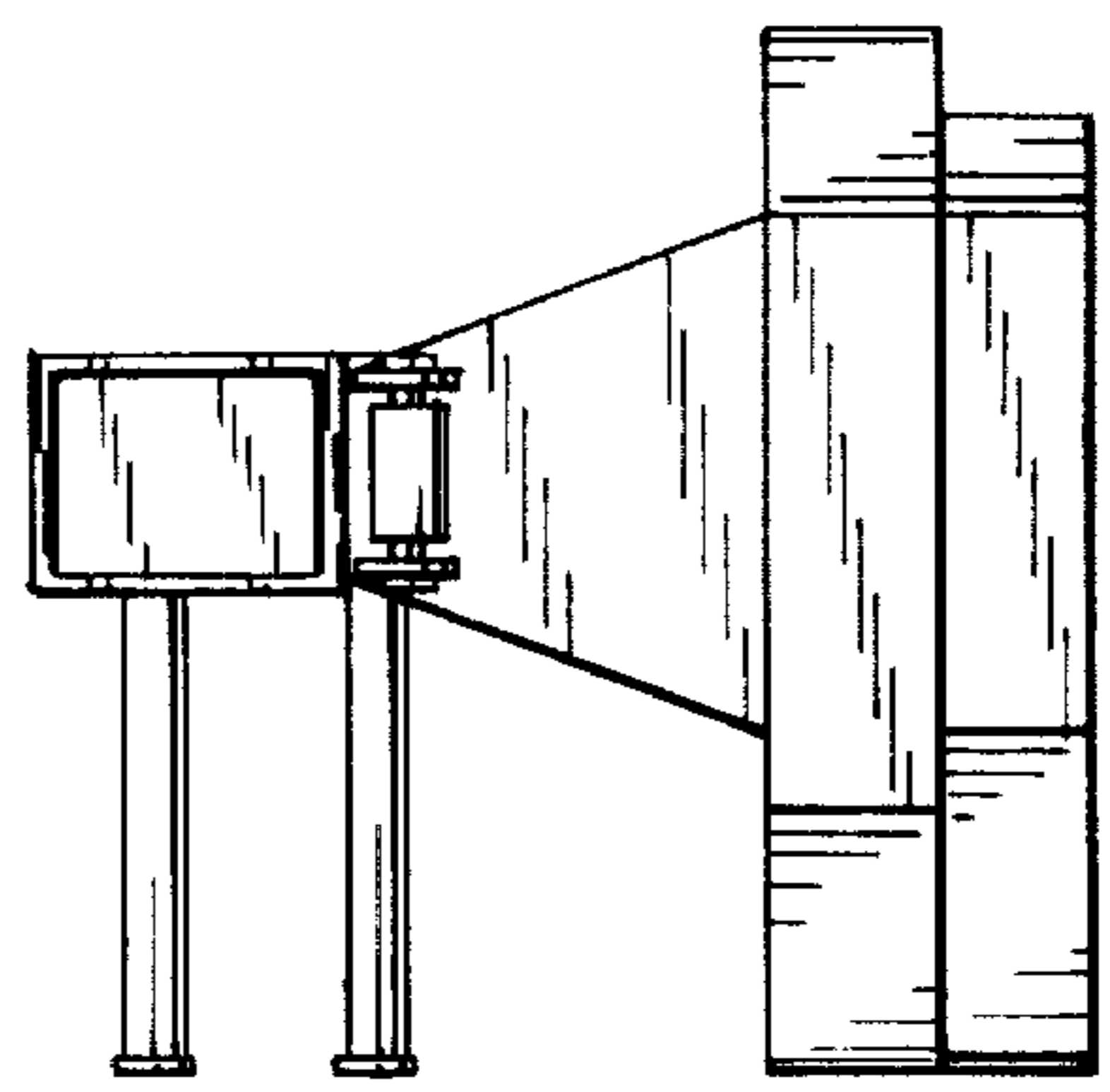


FIG. 4

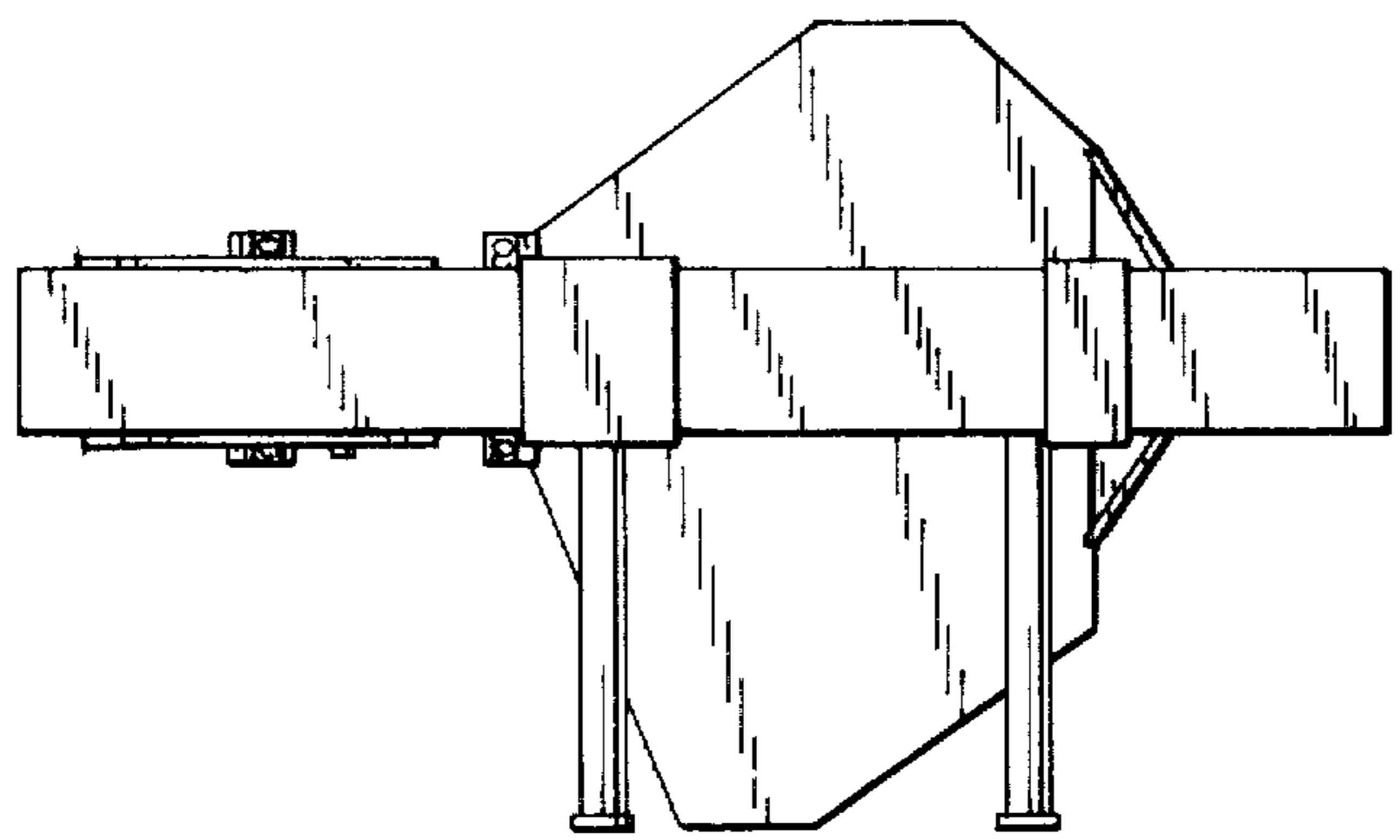


FIG. 5