

[54] TELEPHONE BASE SET
 [75] Inventor: Robert E. Hillmer, Toronto, Canada
 [73] Assignee: Northern Telecom Limited, Montreal, Canada
 [**] Term: 14 Years
 [21] Appl. No.: 57,806
 [22] Filed: Jul. 16, 1979
 [51] Int. Cl. D14-03
 [52] U.S. Cl. D14/62; D14/53
 [58] Field of Search 179/100 R, 100 D, 178, 179/179; D14/53, 60, 63, 62

D. 234,702 4/1975 Kuribayshi et al. D14/53
 D. 243,096 1/1977 Perkins D14/53
 D. 252,876 9/1979 Read et al. D14/60
 1,819,362 8/1931 Dunn 179/100 C
 3,955,054 5/1976 Hemming et al. 179/100 D

Primary Examiner—Bernard Ansher
 Attorney, Agent, or Firm—Sidney T. Jelly

[57] CLAIM

The ornamental design for a telephone base set, substantially as shown and described.

DESCRIPTION

FIG. 1 is a perspective view of a telephone base; showing my new design;
 FIG. 2 is a side elevation;
 FIG. 3 is a front elevation;
 FIG. 4 is a top plan view; and
 FIG. 5 is a bottom plan view.

[56] References Cited
 U.S. PATENT DOCUMENTS
 D. 181,504 11/1957 Suydam D14/60

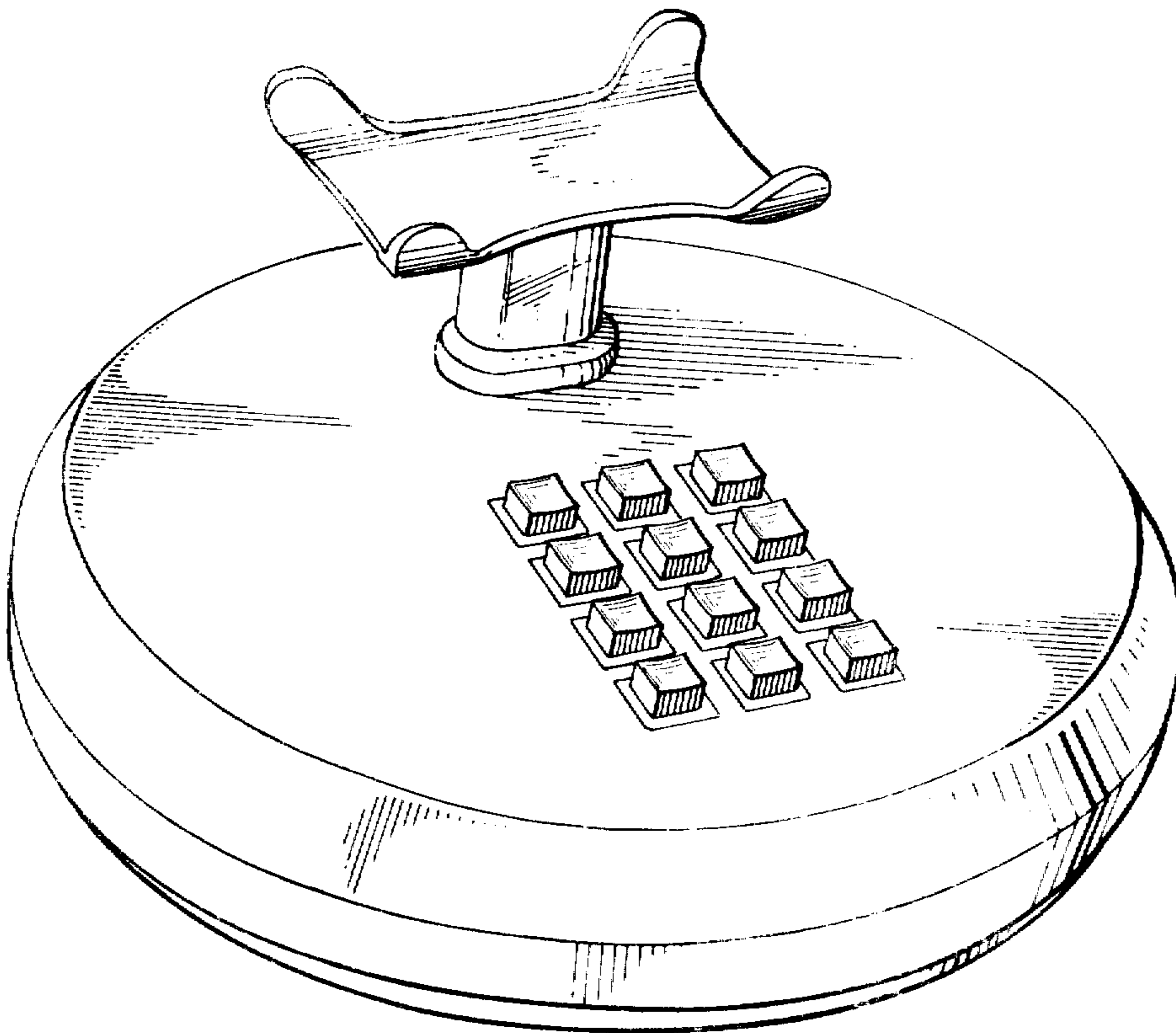
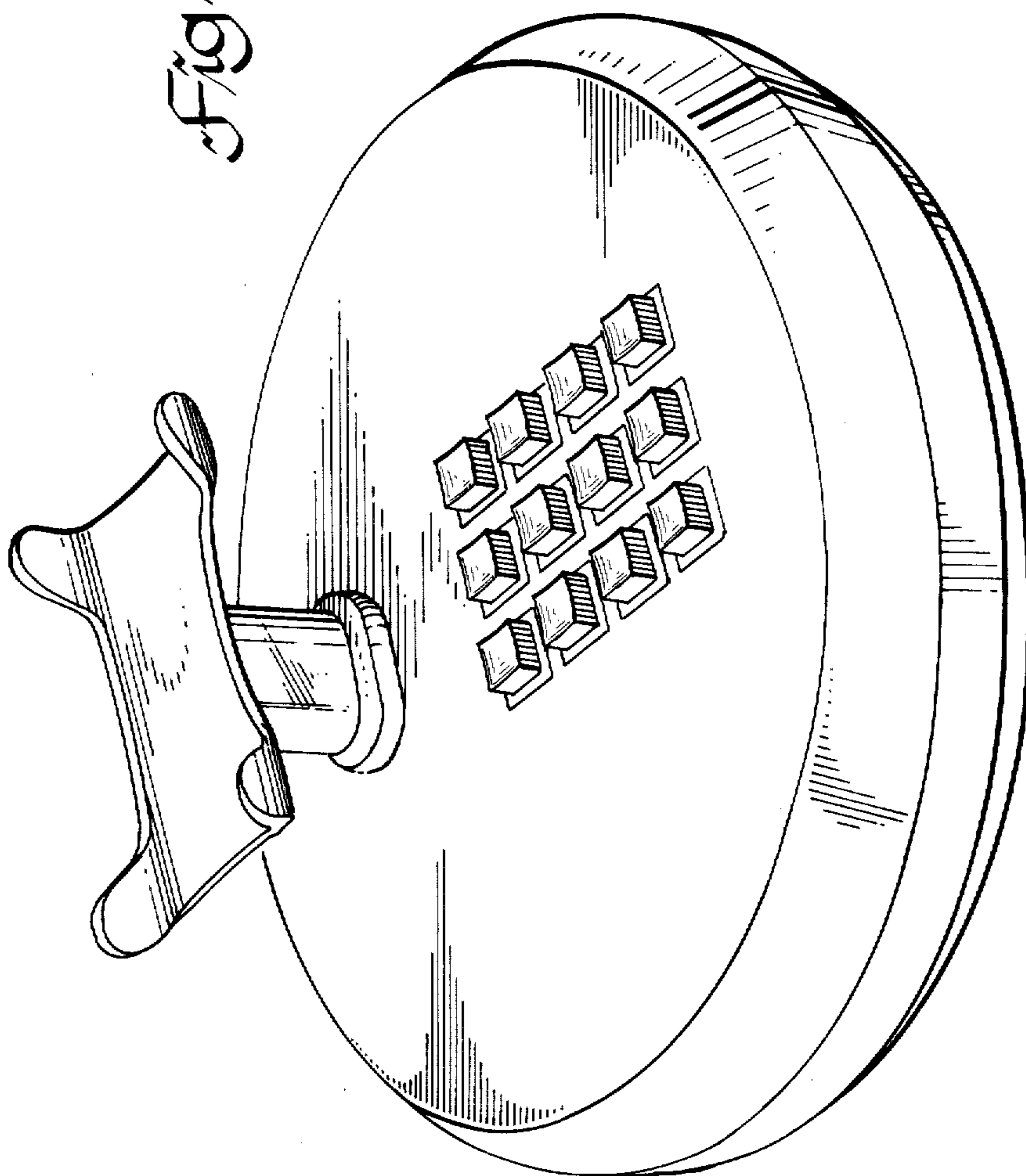


Fig. 1



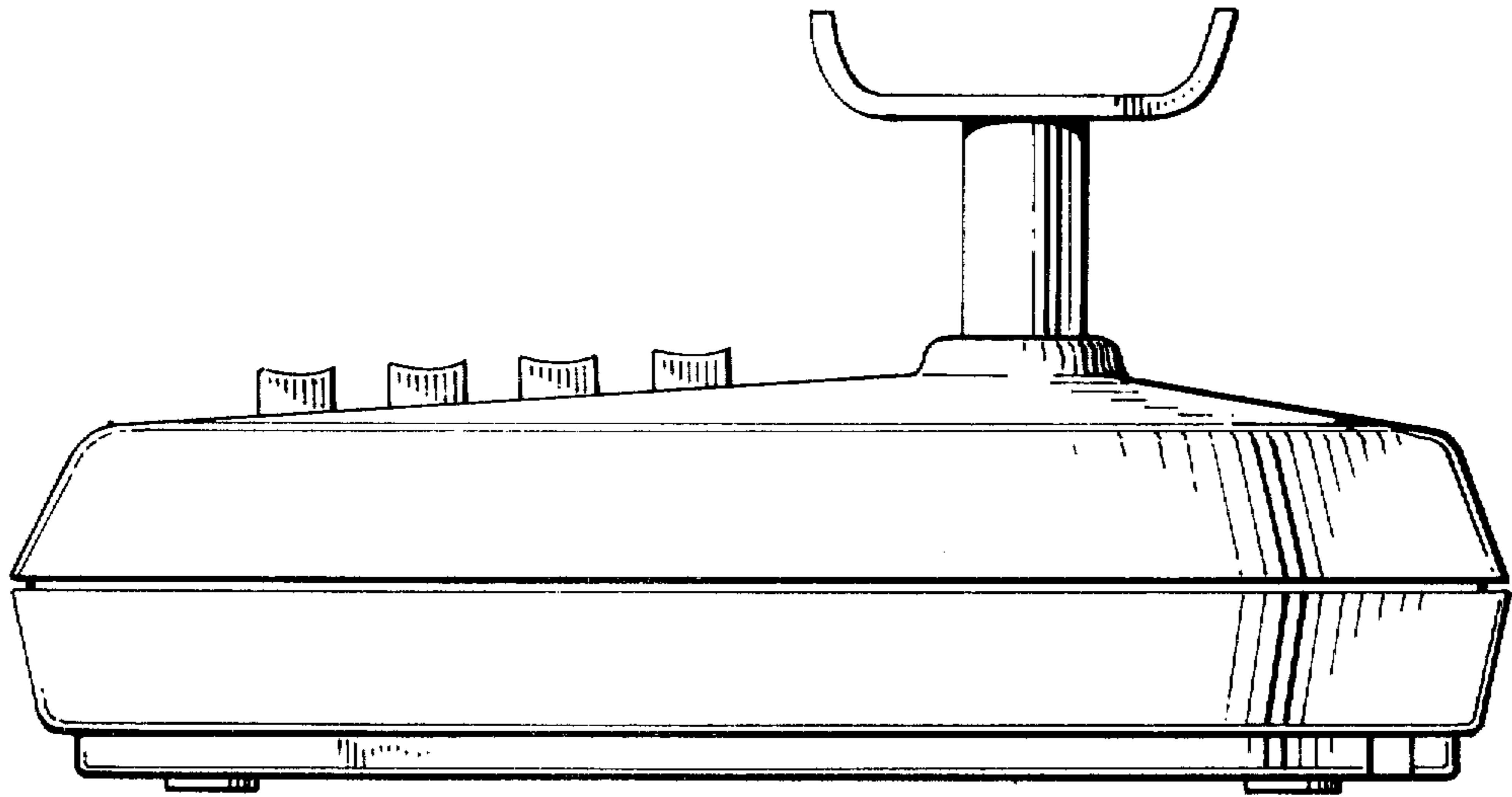


Fig. 2.

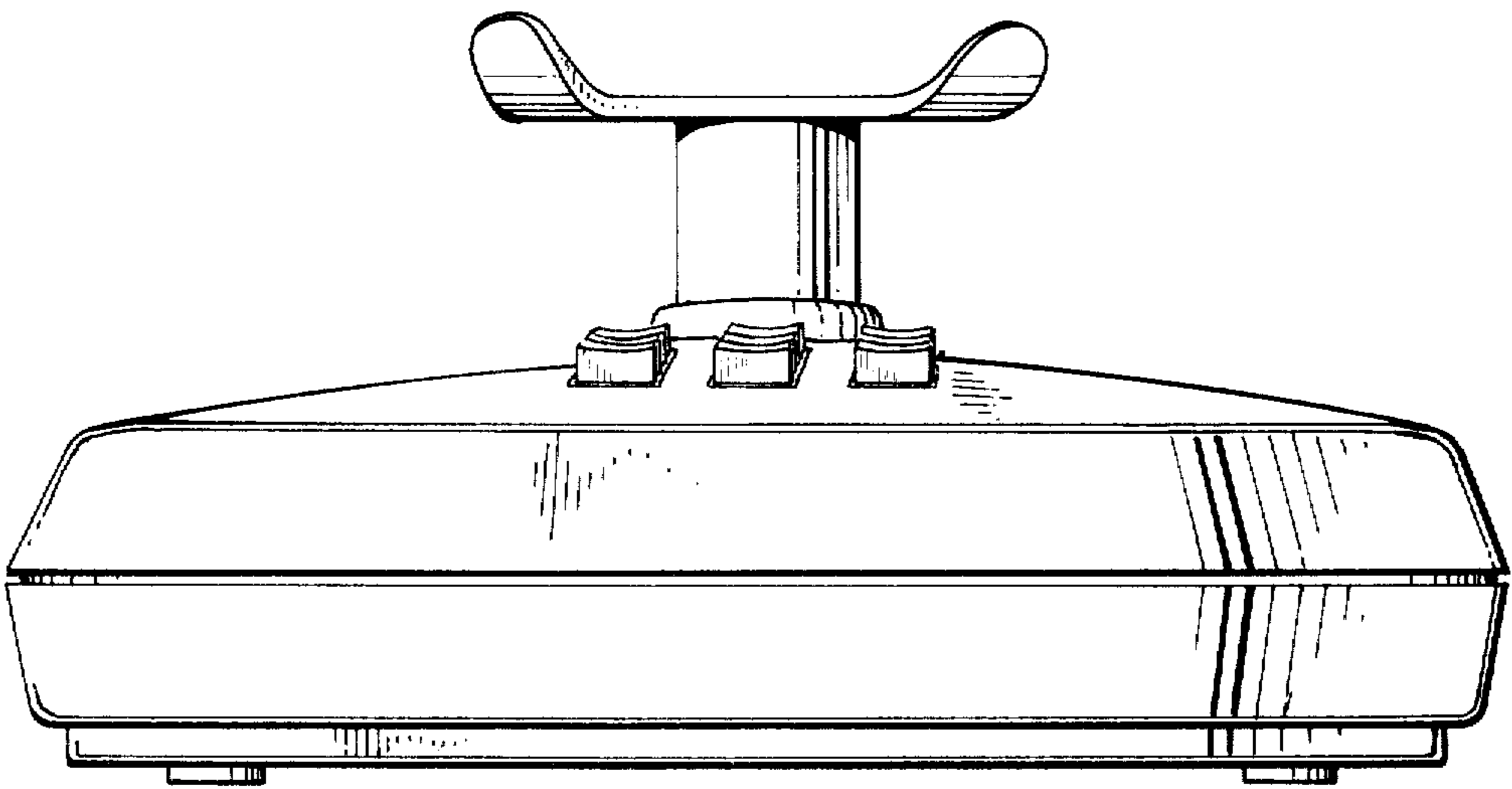


Fig. 3.

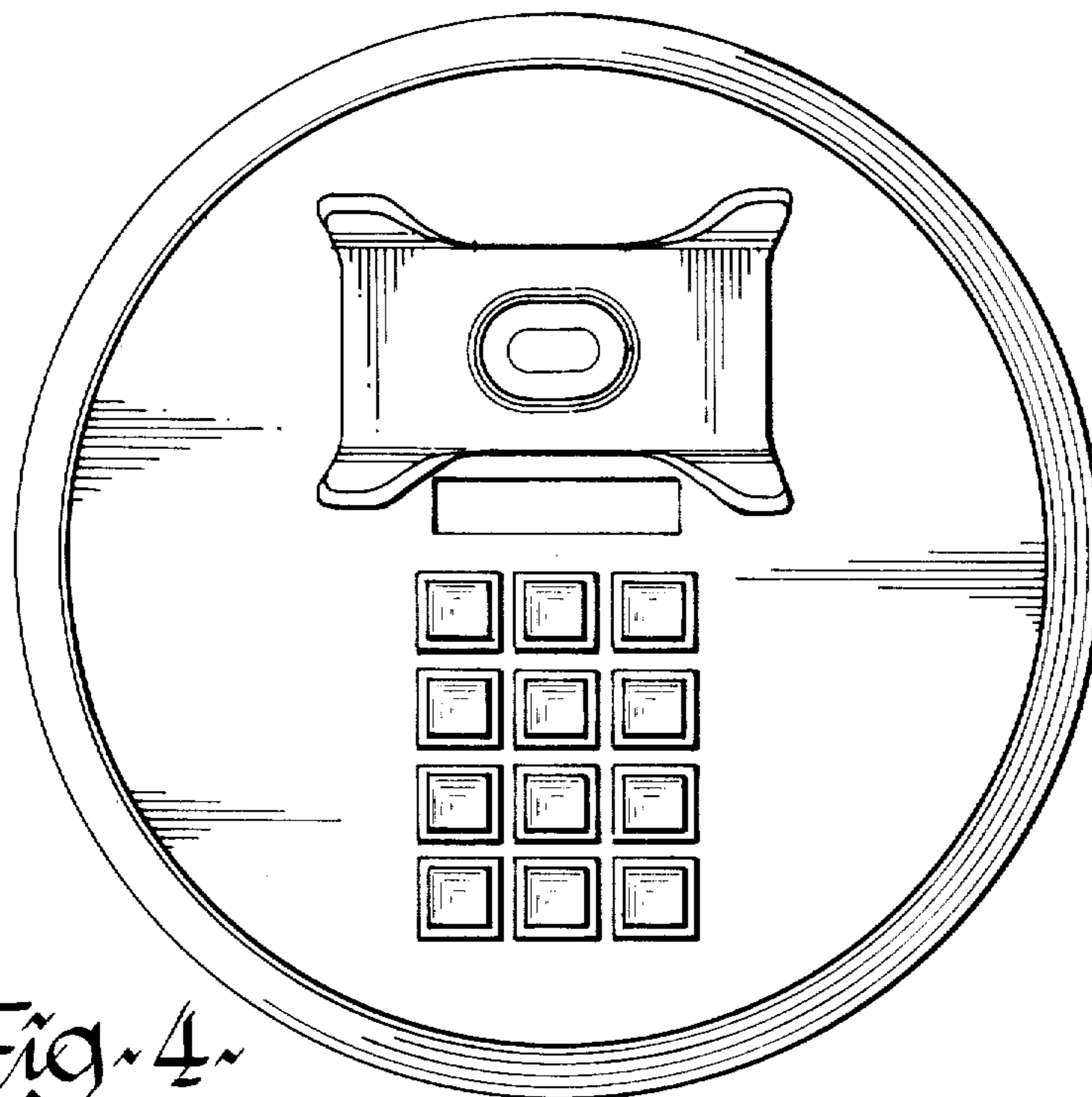


Fig. 4

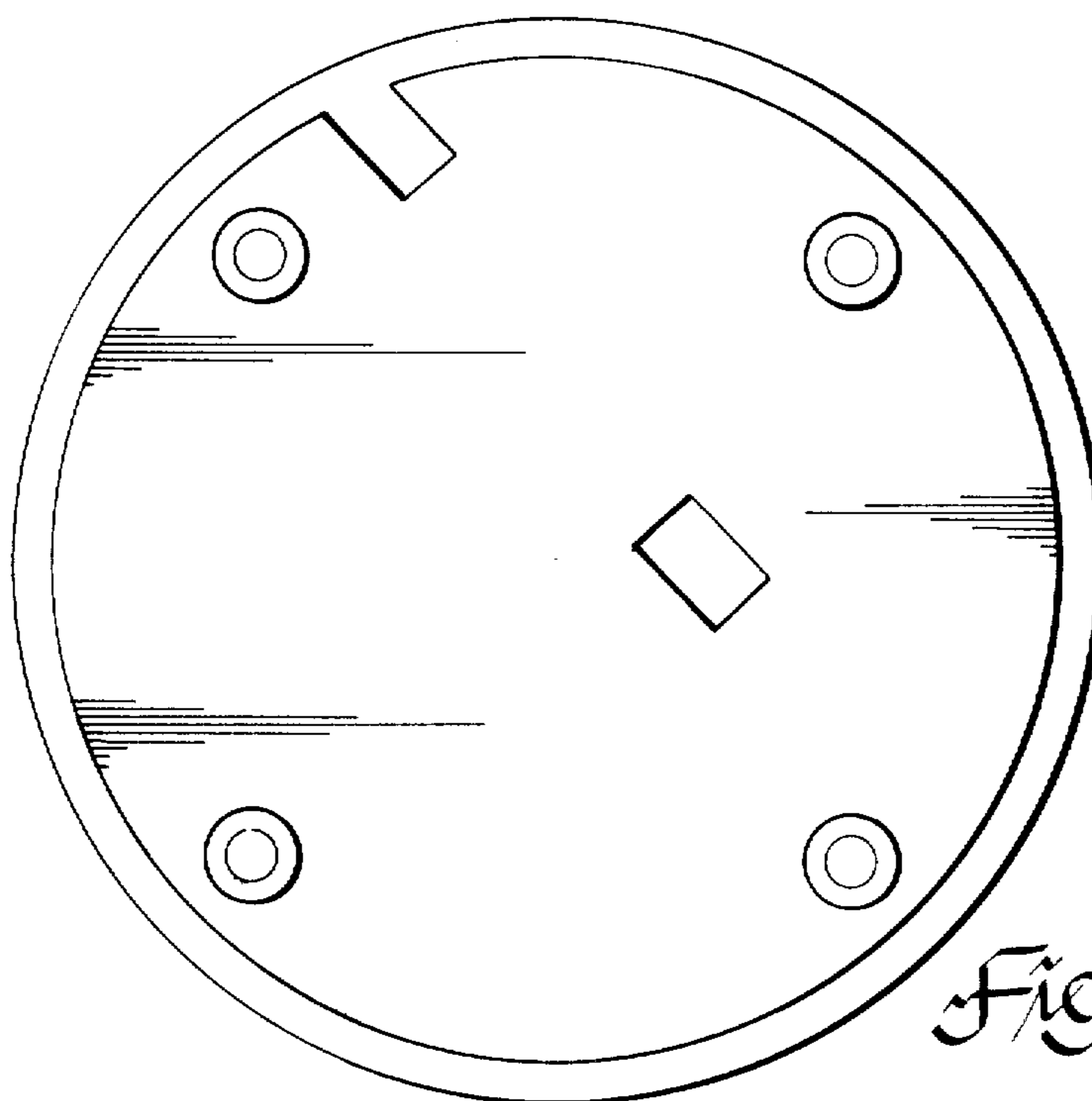


Fig. 5