

[54] LOUDSPEAKER

4,032,725 6/1977 McGee 178/178 X

[75] Inventor: Hideaki Ishizaki, Tokyo, Japan

FOREIGN PATENT DOCUMENTS

[73] Assignee: Pioneer Kabushiki Kaisha, Tokyo, Japan

53-489828 12/1978 Japan .
54-495297 12/1979 Japan .

[**] Term: 14 Years

Primary Examiner—Bernard Ansher
Attorney, Agent, or Firm—Armstrong, Nikaido,
Marmelstein & Kubovcik

[21] Appl. No.: 88,939

[22] Filed: Oct. 29, 1979

[57] CLAIM

[30] Foreign Application Priority Data

The ornamental design for a loudspeaker, as shown and described.

Apr. 27, 1979 [JP] Japan 54-17387

[51] Int. Cl. D14-01

DESCRIPTION

[52] U.S. Cl. D14/30

[58] Field of Search 181/157, 199, 163;
179/116, 178, 1 E; D14/30, 39, 23, 24, 33, 34

FIG. 1 is a front elevation of a loudspeaker showing my new design;

FIG. 2 is a left elevation thereof;

FIG. 3 is a bottom plan view thereof;

FIG. 4 is a front perspective view thereof;

FIG. 5 is a top plan view thereof;

FIG. 6 is a right side elevation thereof;

FIG. 7 is a rear elevation thereof; and

FIG. 8 is a rear perspective view thereof.

[56] References Cited

U.S. PATENT DOCUMENTS

D. 198,377 3/1964 Wassmann D14/30
D. 244,781 6/1977 Saidel D14/39
D. 254,490 3/1980 Matsubara D14/30

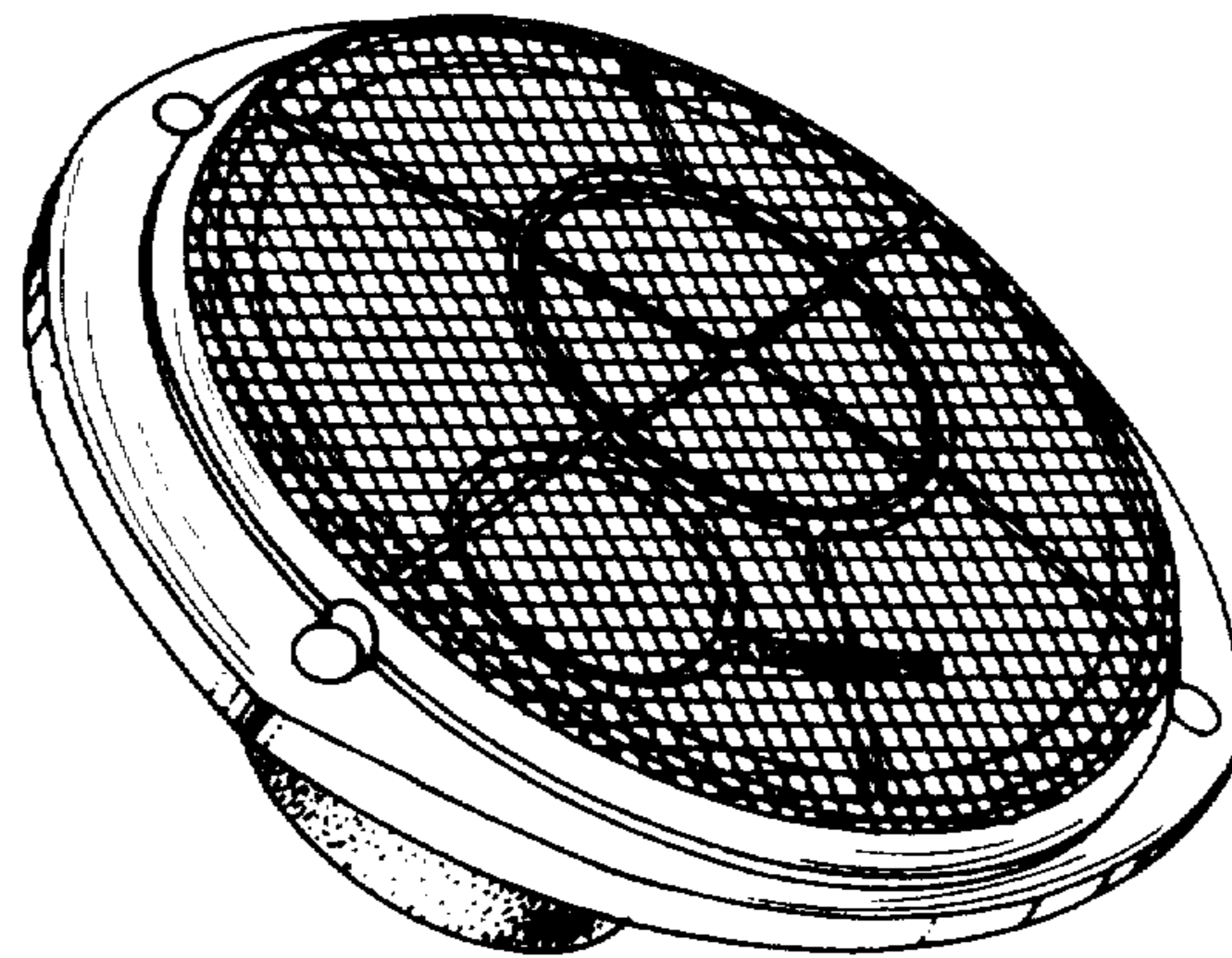


FIG. 2

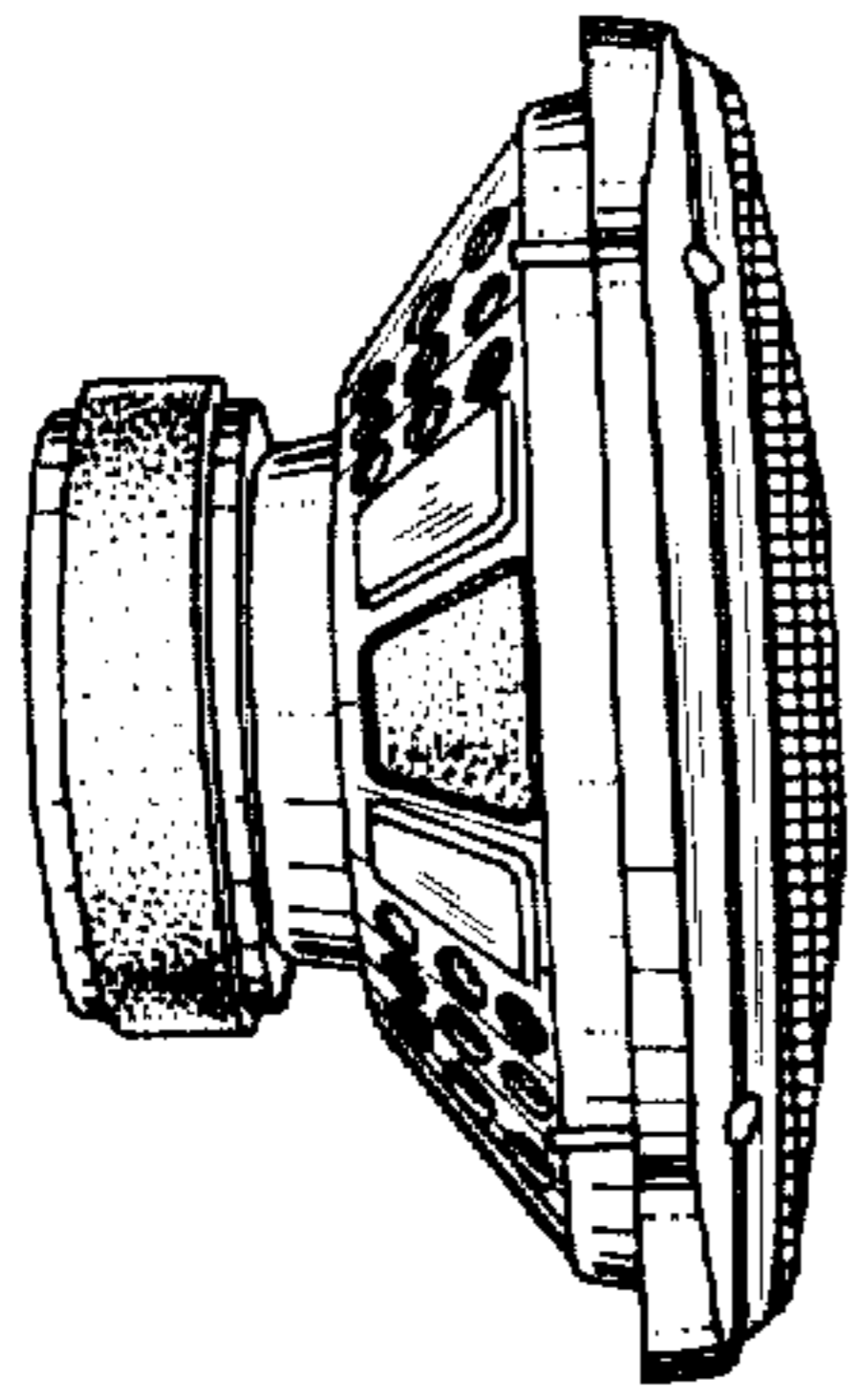


FIG. 1

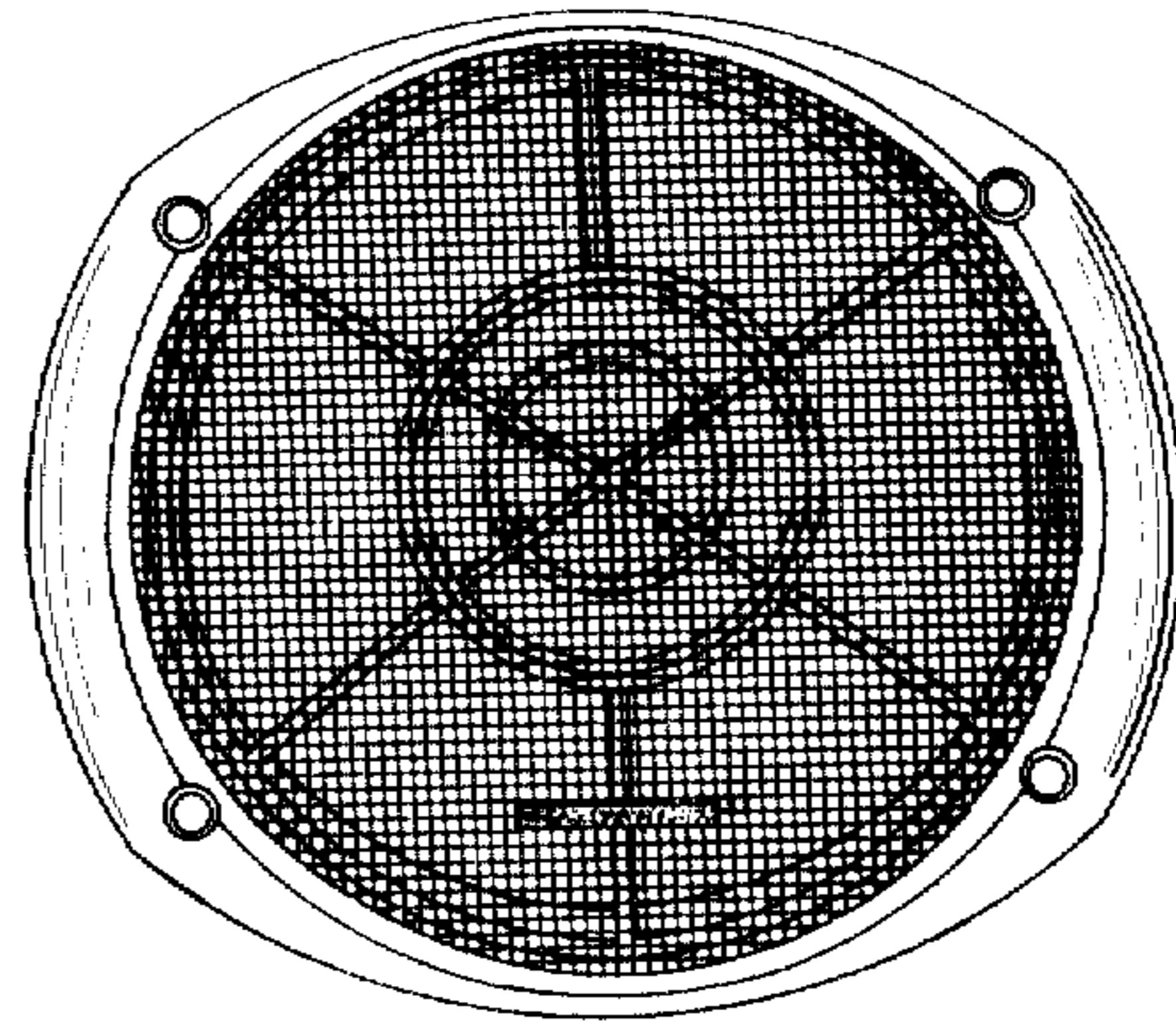


FIG. 3

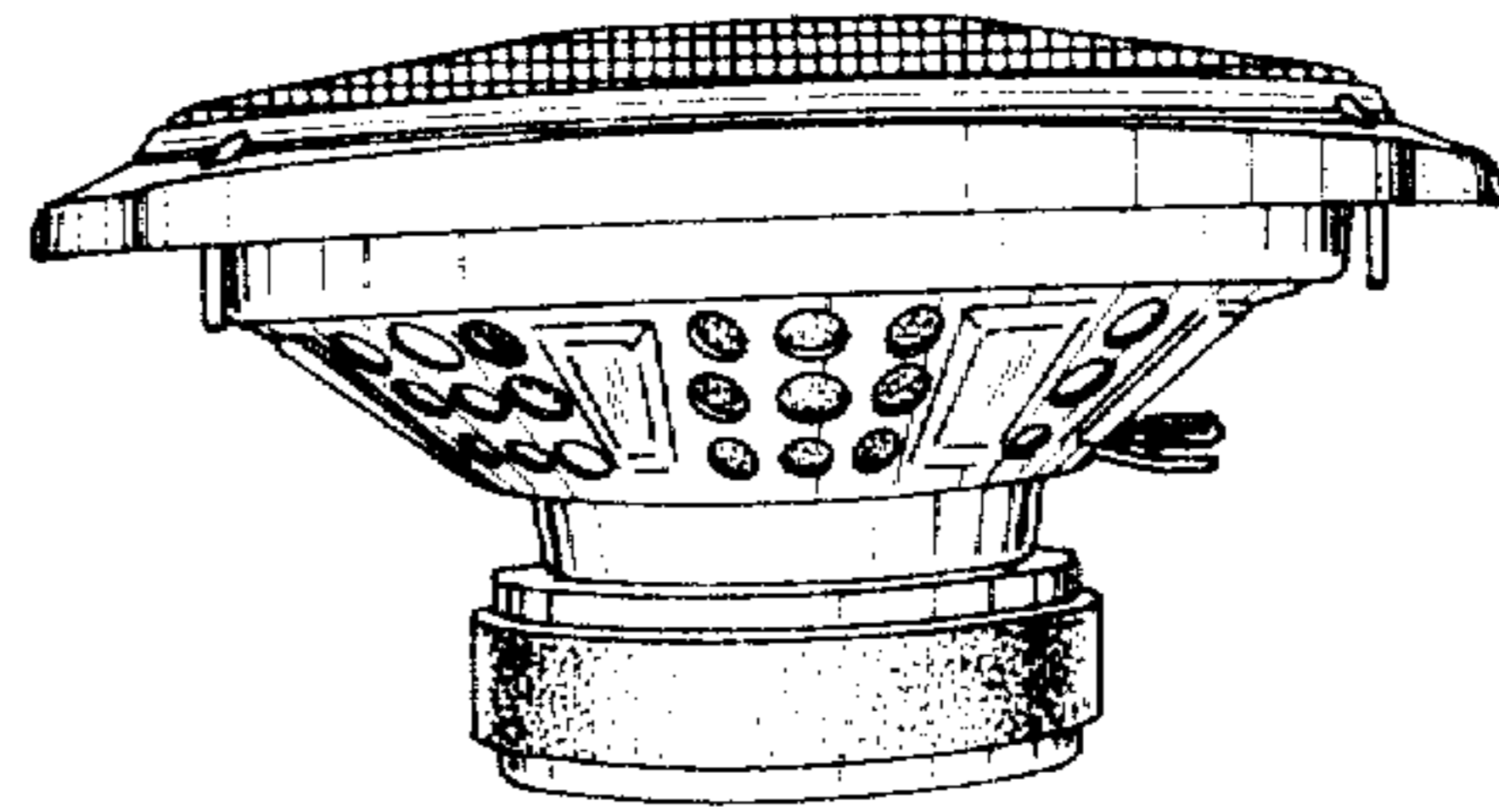


FIG. 4

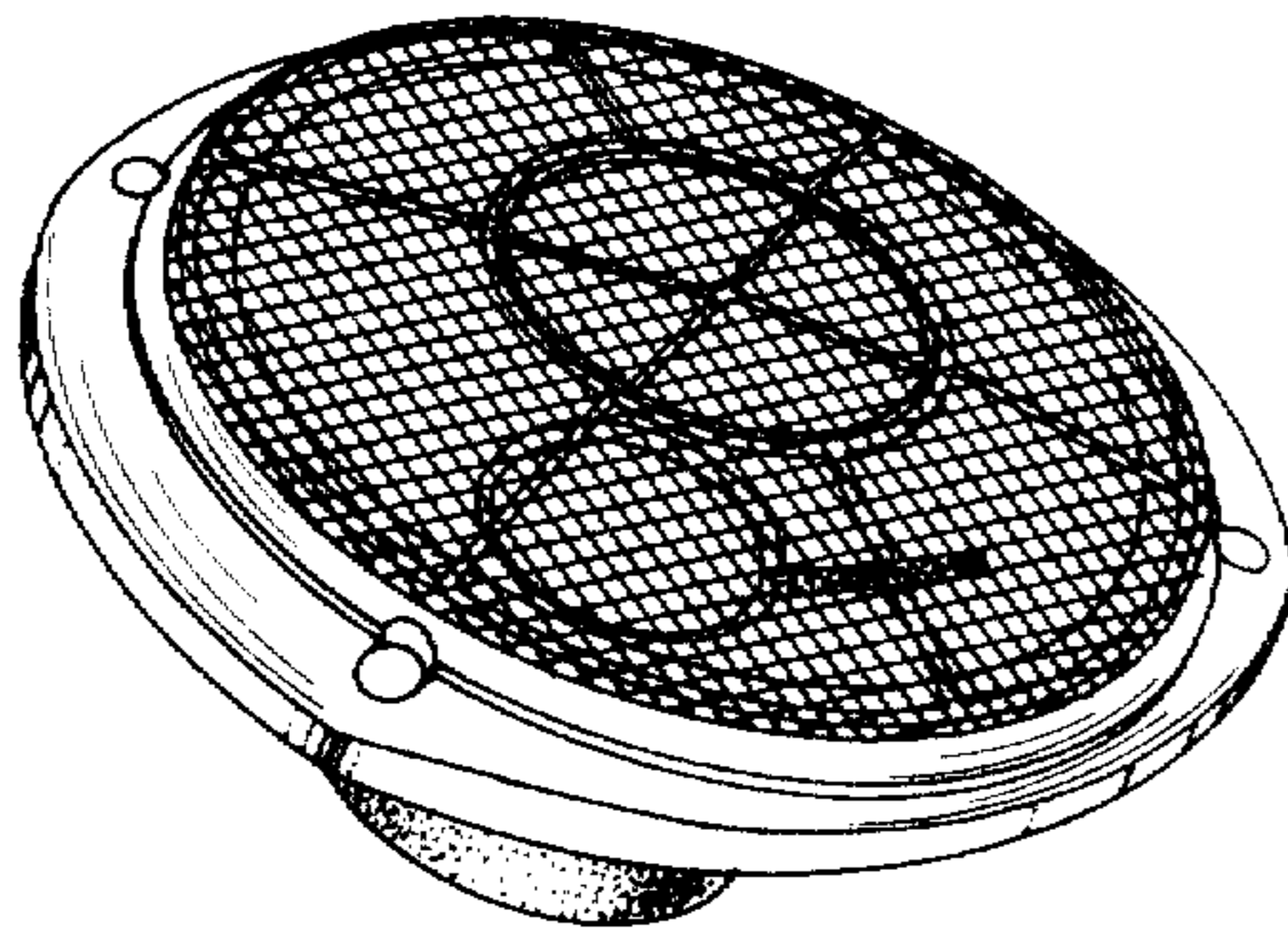


FIG. 5

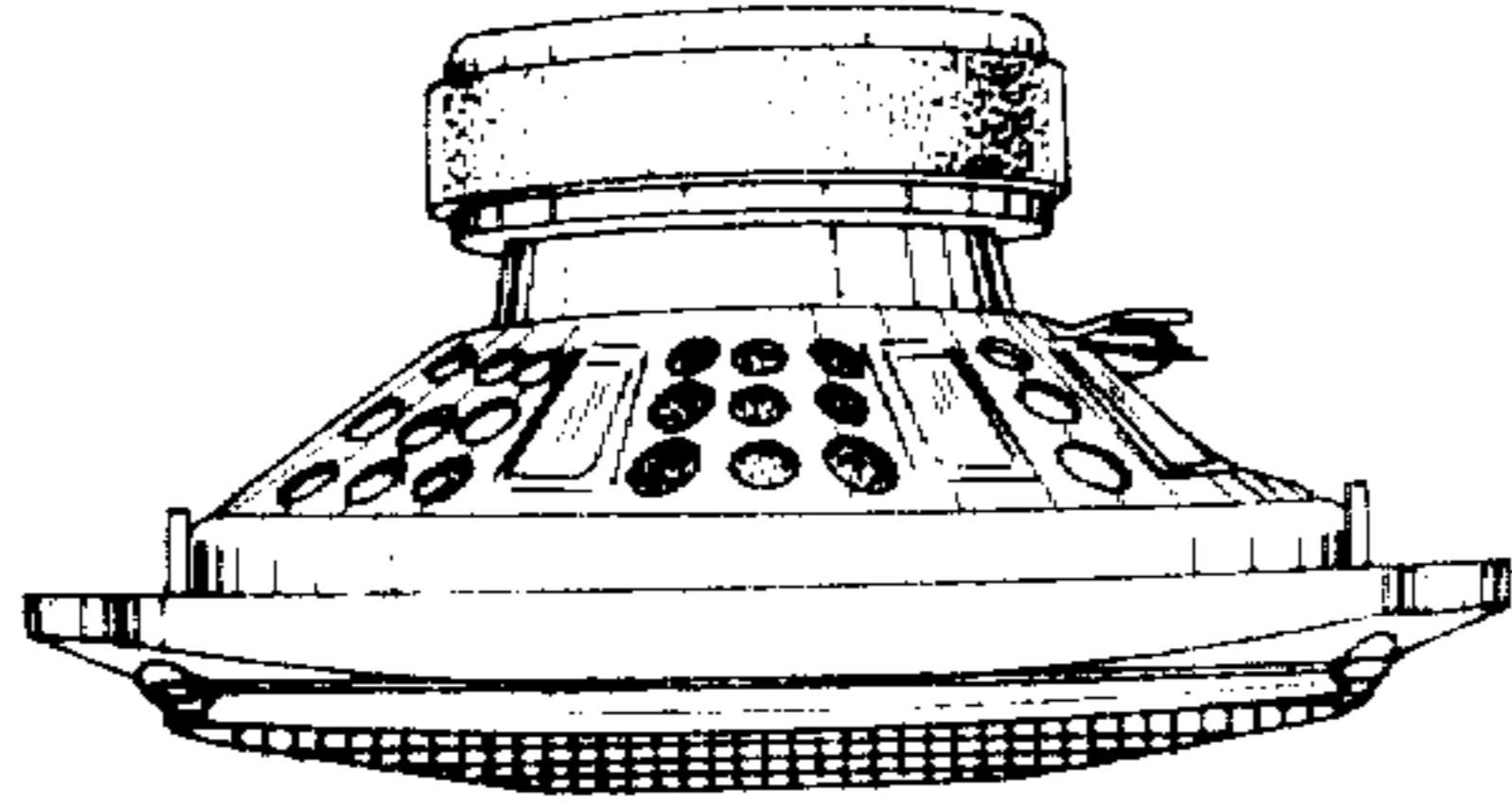


FIG. 7

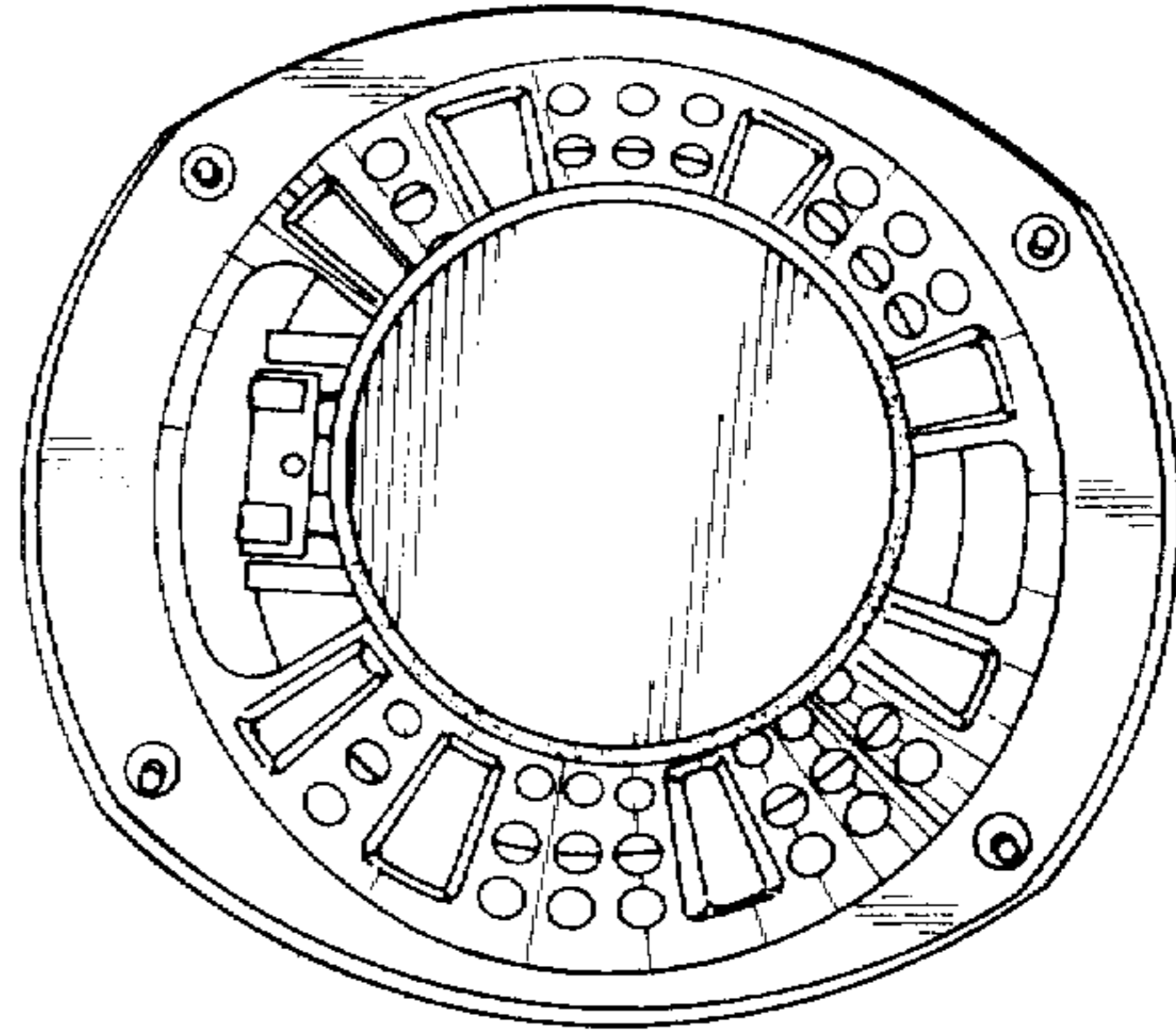


FIG. 6

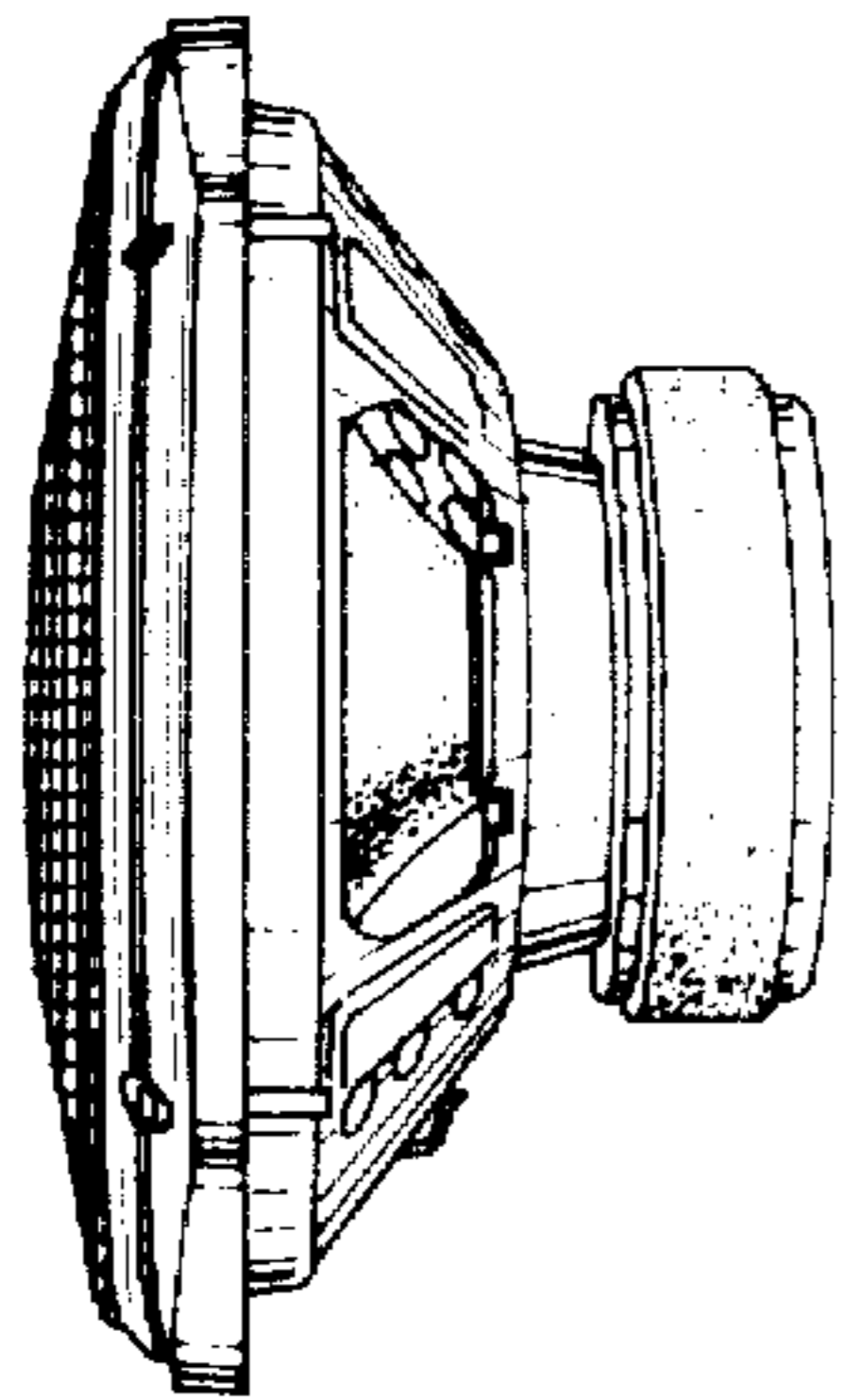


FIG. 8

