

[54] **CONNECTOR FOR TRACK LIGHTING SYSTEM**

[75] Inventor: **Robert Heritage, London, England**

[73] Assignee: **Rotaflex (Great Britain) Limited, London, England**

[**] Term: **14 Years**

[21] Appl. No.: **48,681**

[22] Filed: **Jun. 14, 1979**

[30] **Foreign Application Priority Data**
Dec. 22, 1978 [GB] United Kingdom 987817/78

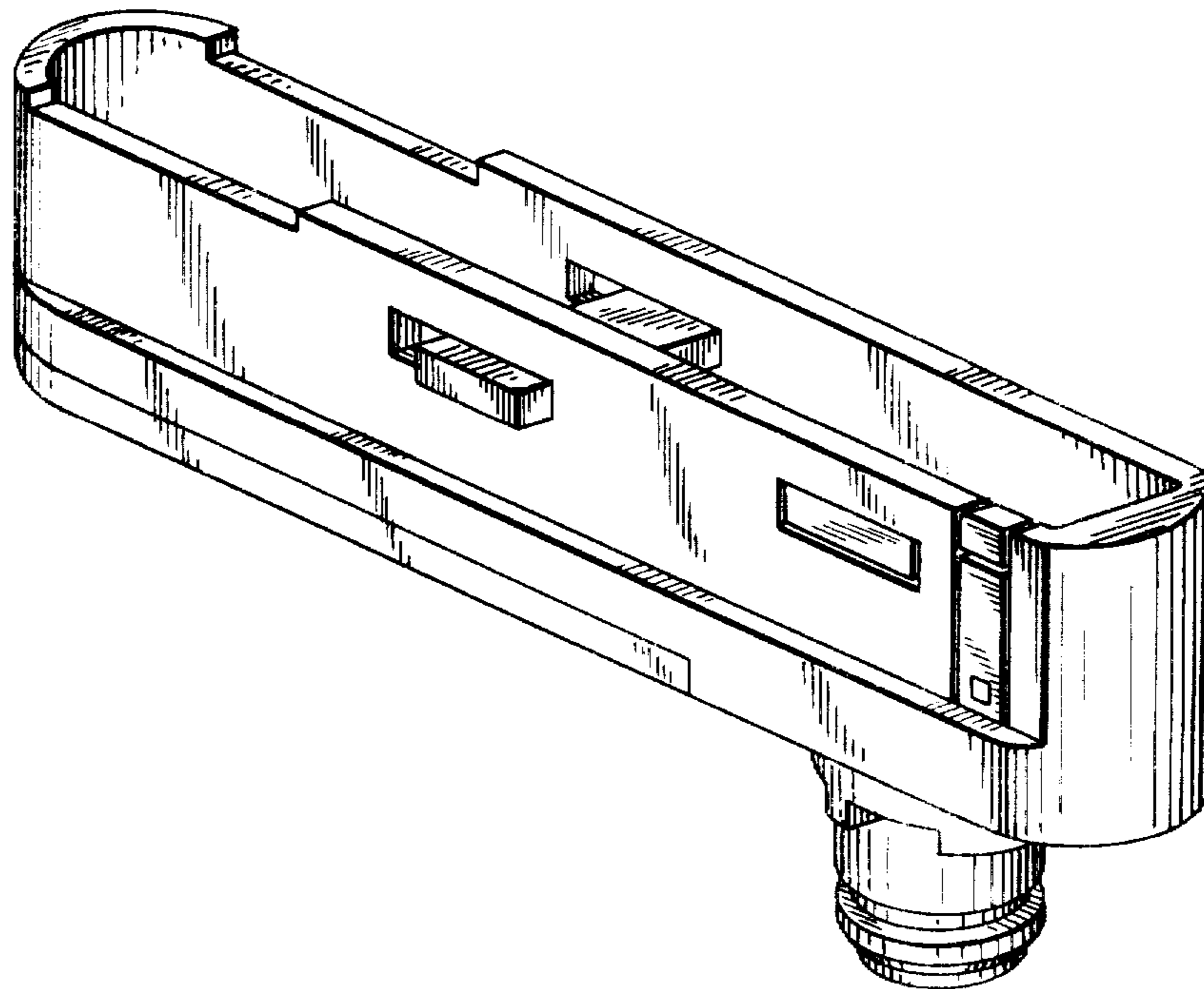
[51] Int. Cl. **D13-03**
[52] U.S. Cl. **D13/24**
[58] Field of Search **D13/24, 13, 14;**
339/88 R, 22 R, 22 B, 22 T, 21 R, 14 R

[56] **References Cited**
U.S. PATENT DOCUMENTS
3,757,273 9/1973 Hesse 339/21 R
3,760,133 9/1973 Howard 339/21R
FOREIGN PATENT DOCUMENTS
1208437 10/1970 United Kingdom 339/21

Primary Examiner—Susan J. Lucas
Attorney, Agent, or Firm—Arthur B. Colvin

[57] **CLAIM**
The ornamental design for a connector for a track lighting system, as shown and described.

DESCRIPTION
FIG. 1 is a side elevation of a connector for a track lighting system showing my new design;
FIG. 2 is a bottom view thereof.
FIG. 3 is a left end view thereof with respect to FIG. 1;
FIG. 4 is a perspective view thereof on an enlarged scale;
FIG. 5 is a side view thereof, showing the opposite side to FIG. 1.



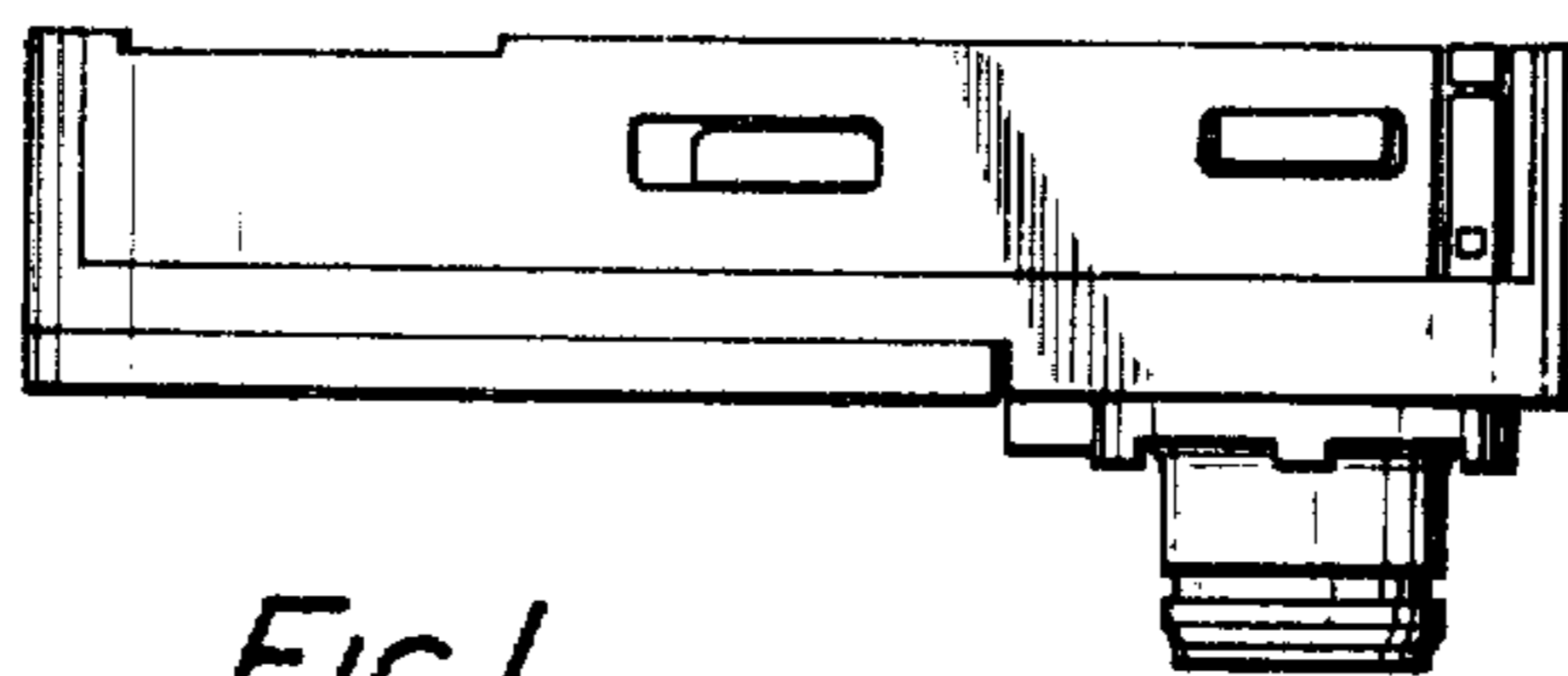


FIG. 1.

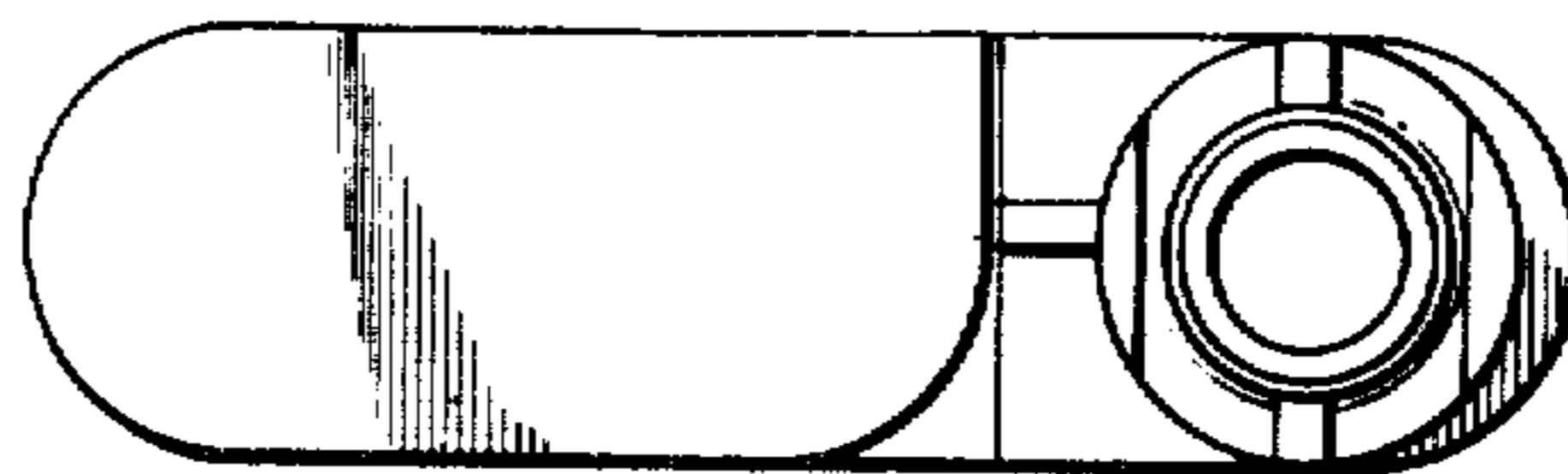


FIG. 2.

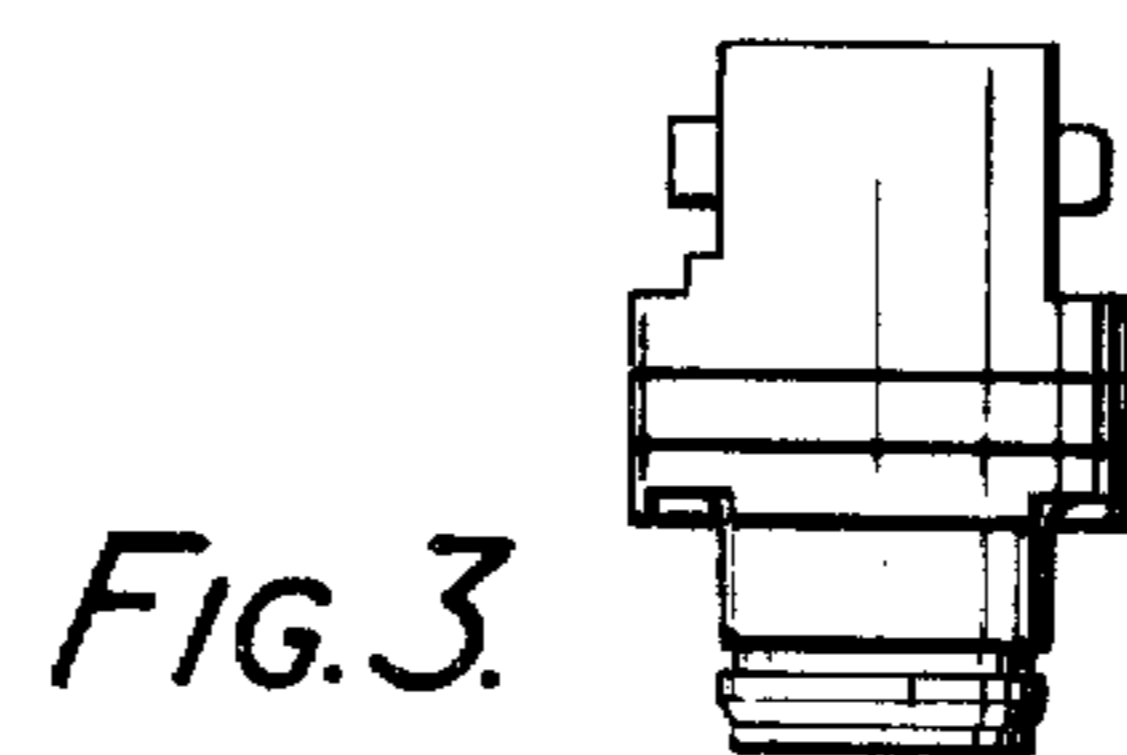


FIG. 3.

FIG. 4

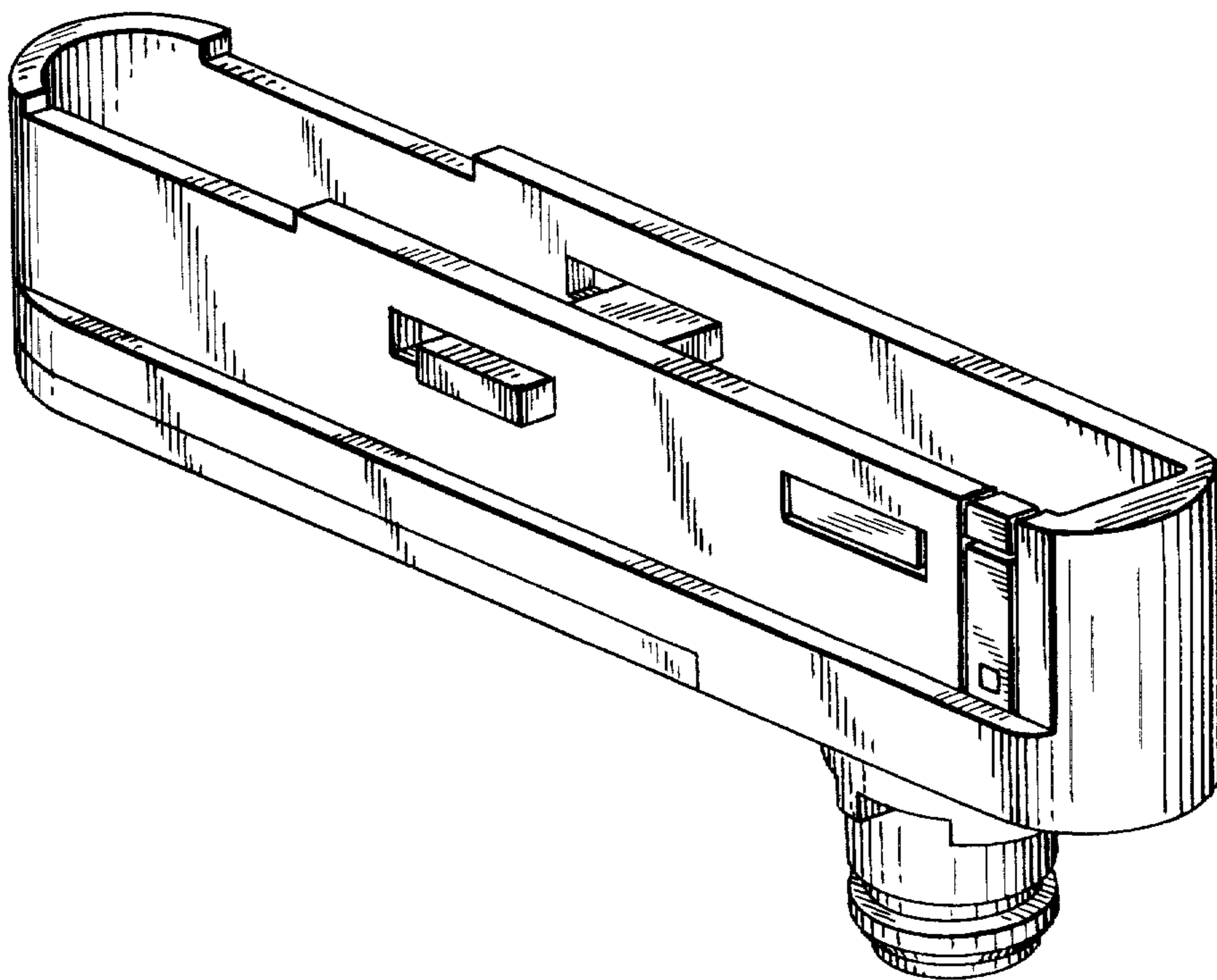


FIG. 5

