

[54] **HEAT SINK OR SIMILAR ARTICLE**

[75] **Inventors:** John Logeman, Park Ridge; Herbert L. Shrader, Chicago, both of Ill.

[73] **Assignee:** Motorola, Inc., Schaumburg, Ill.

[\*\*] **Term:** 14 Years

[21] **Appl. No.:** 72,800

[22] **Filed:** Sep. 5, 1979

[51] **Int. Cl.** ..... D13—99  
[52] **U.S. Cl.** ..... D13/23  
[58] **Field of Search** ..... 336/61; 165/80, 80 A,  
165/80 B; 357/81; 174/16 HS; D13/23;  
D14/76

[56] **References Cited**

**U.S. PATENT DOCUMENTS**

2,434,676 1/1948 Spender ..... 165/80 B X  
3,572,428 3/1971 Monaco ..... 165/80 B

**OTHER PUBLICATIONS**

Aluminum Extrusions by Reynolds Metals Co. 1958, ©1957, p. 60, FIG. 76, Extrusion at top left.

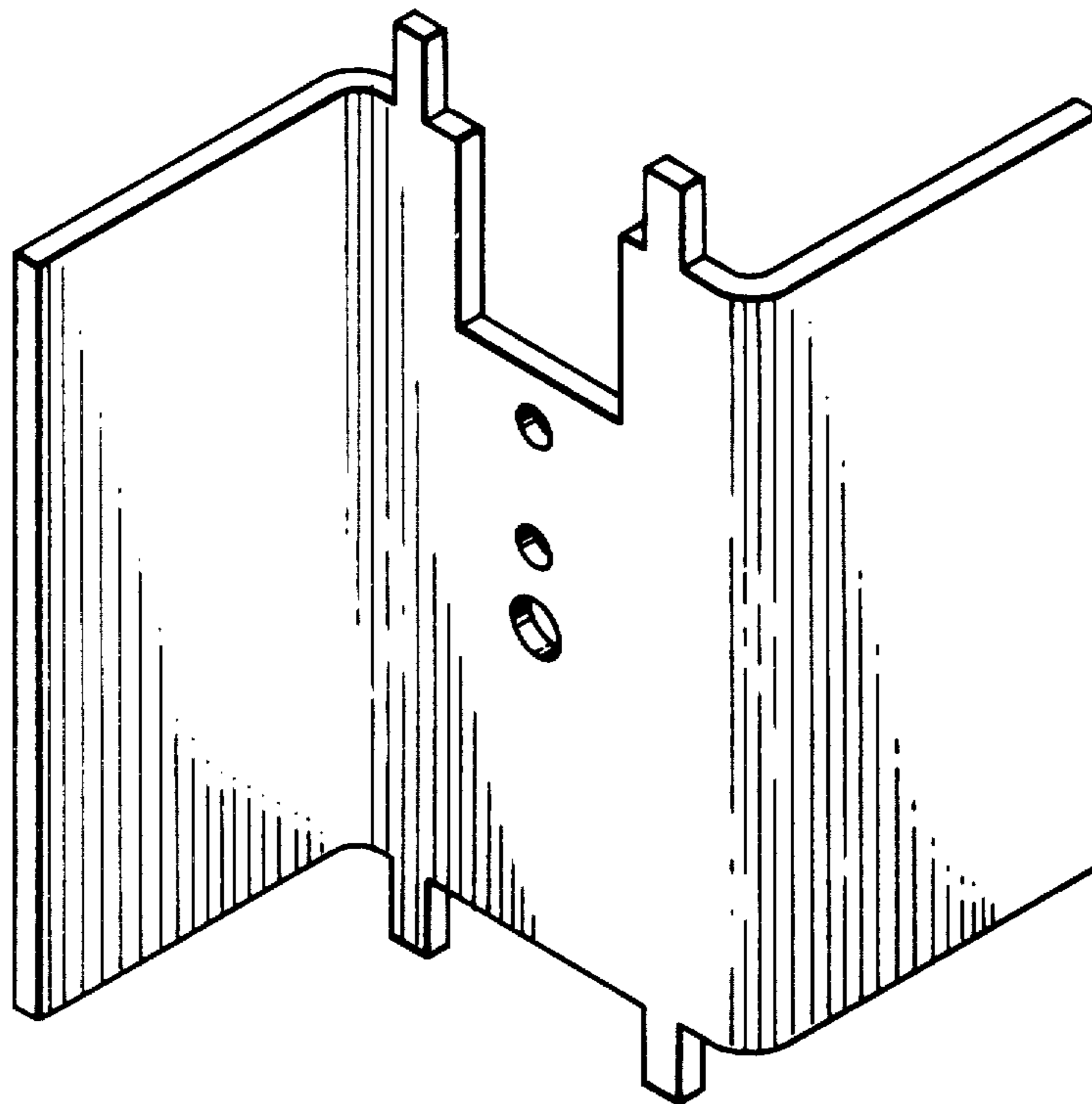
*Primary Examiner*—A. Hugo Word  
*Attorney, Agent, or Firm*—Donald B. Southard; Edward M. Roney; James W. Gillman

[57] **CLAIM**

The ornamental design for a heat sink or similar article, substantially as shown and described.

**DESCRIPTION**

FIG. 1 is a top perspective view of a heat sink or similar article showing our new design.  
FIG. 2 is a bottom end view elevation of our new design.



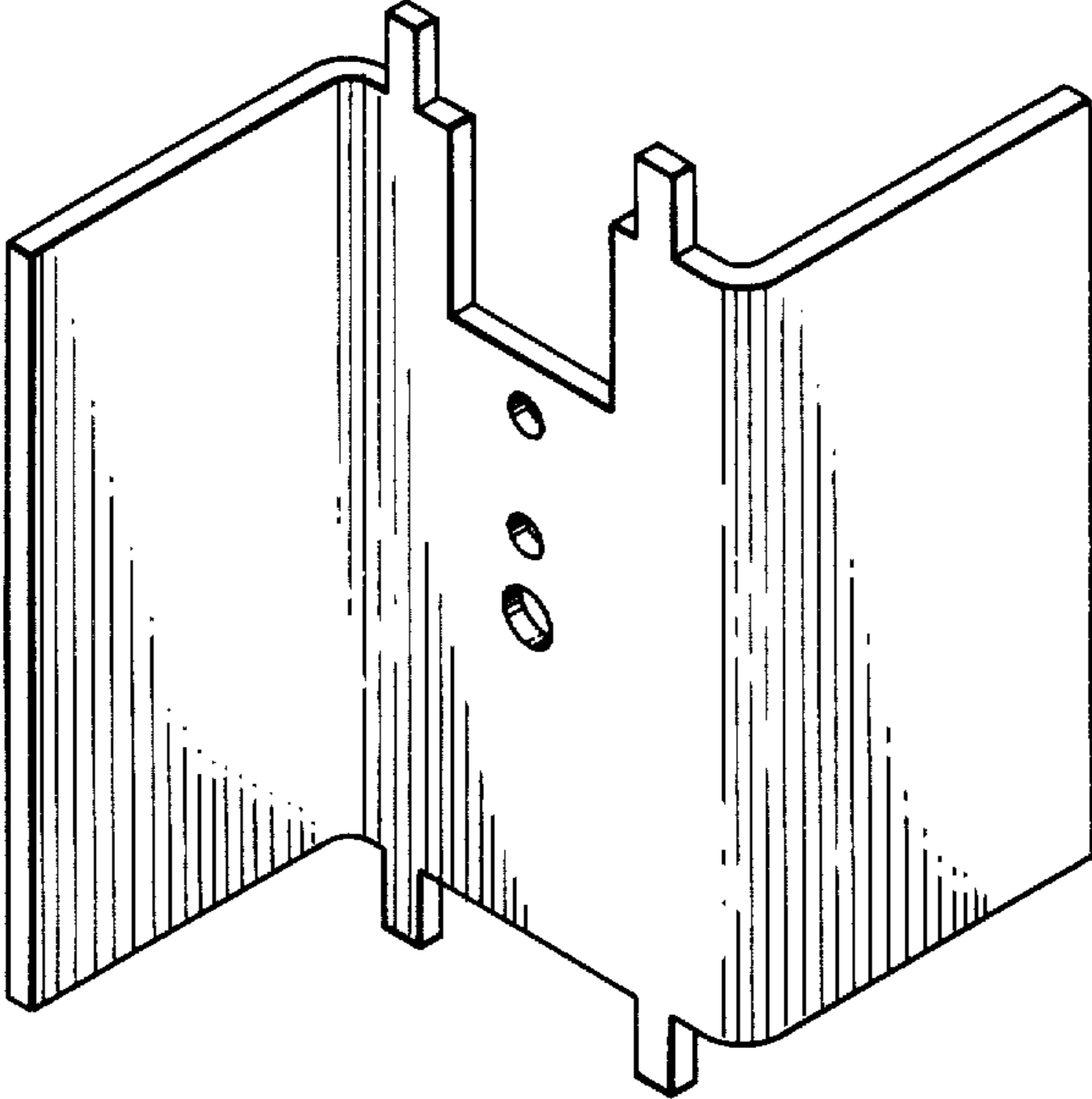


FIG. 1

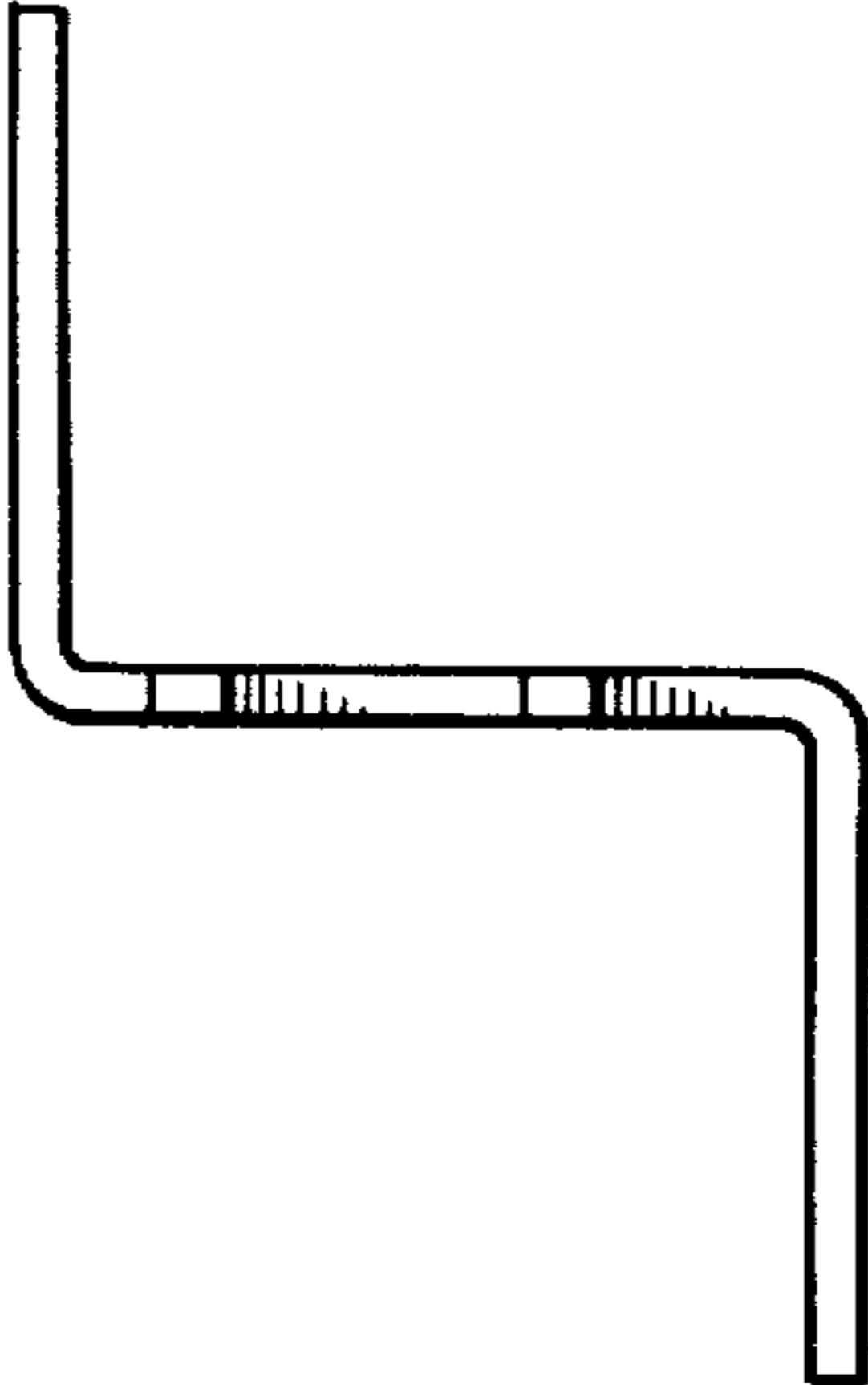


FIG. 2