

[54] WHEEL

[75] Inventor: Werner Bauer, Dortmund, Fed. Rep. of Germany

[73] Assignee: Centra Leichtmetallräder Produktions GmbH, Pfalz, Fed. Rep. of Germany

[**] Term: 7 Years

[21] Appl. No.: 121,974

[22] Filed: Feb. 15, 1980

[30] Foreign Application Priority Data
Aug. 15, 1979 [DE] Fed. Rep. of Germany ... 7AR412-79

[51] Int. Cl. D12-16
[52] U.S. Cl. D12/210

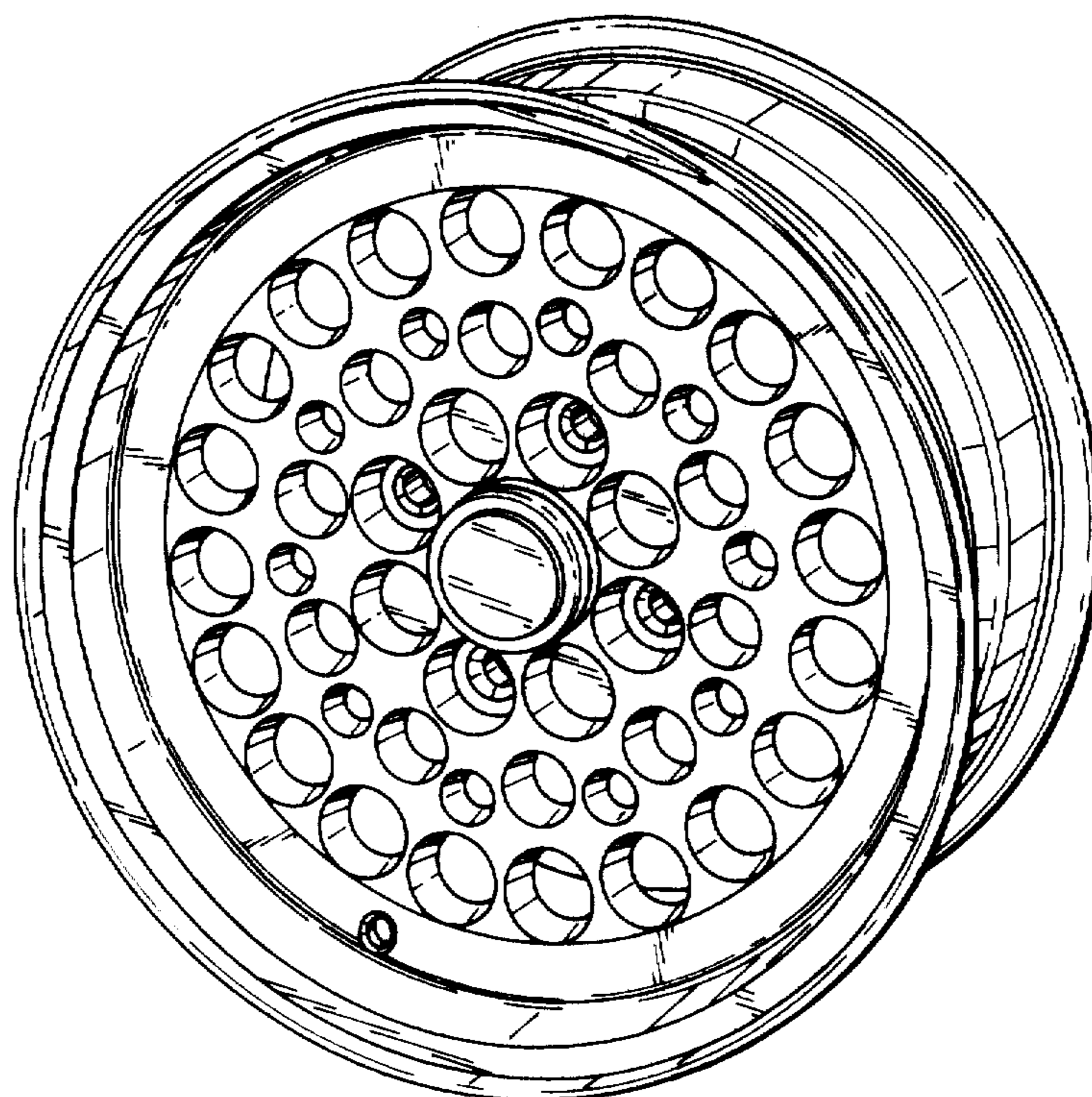
[58] Field of Search D12/210; 301/65, 64S D, 301/64 R, 63 R

[56] References Cited
PUBLICATIONS
Modern Tire Dealer, 8/78, p. 14, Wheel having three rows of circular apertures, lower right side of page.

Primary Examiner—James M. Gandy
Attorney, Agent, or Firm—Toren, McGeady & Stanger

[57] CLAIM
The ornamental design for a wheel, as shown.

DESCRIPTION
FIG. 1 is a perspective view of the wheel embodying my design;
FIG. 2 is a side elevational view thereof;
FIG. 3 is a front elevational view thereof; and
FIG. 4 is a rear elevational view thereof.



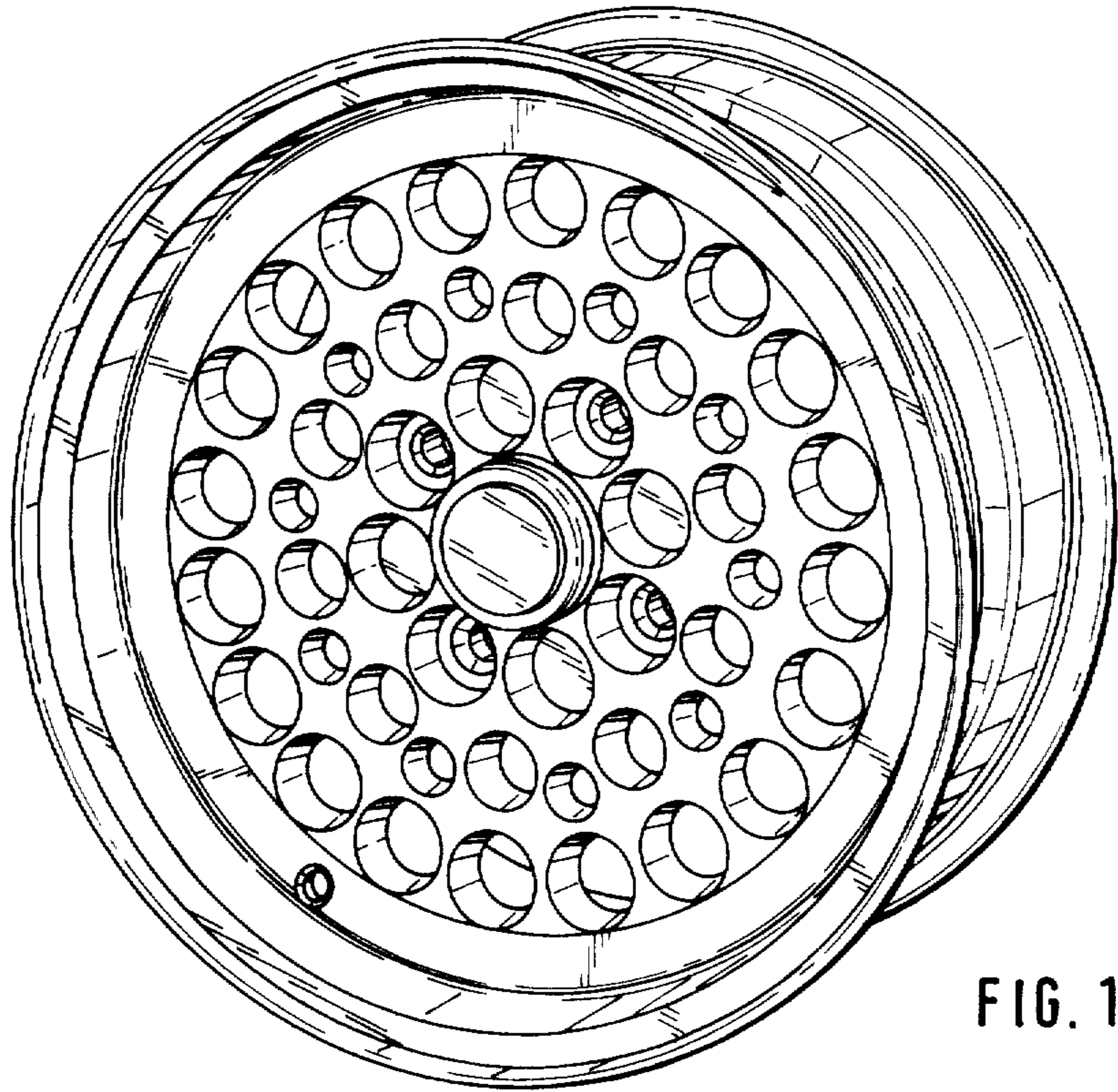


FIG. 1

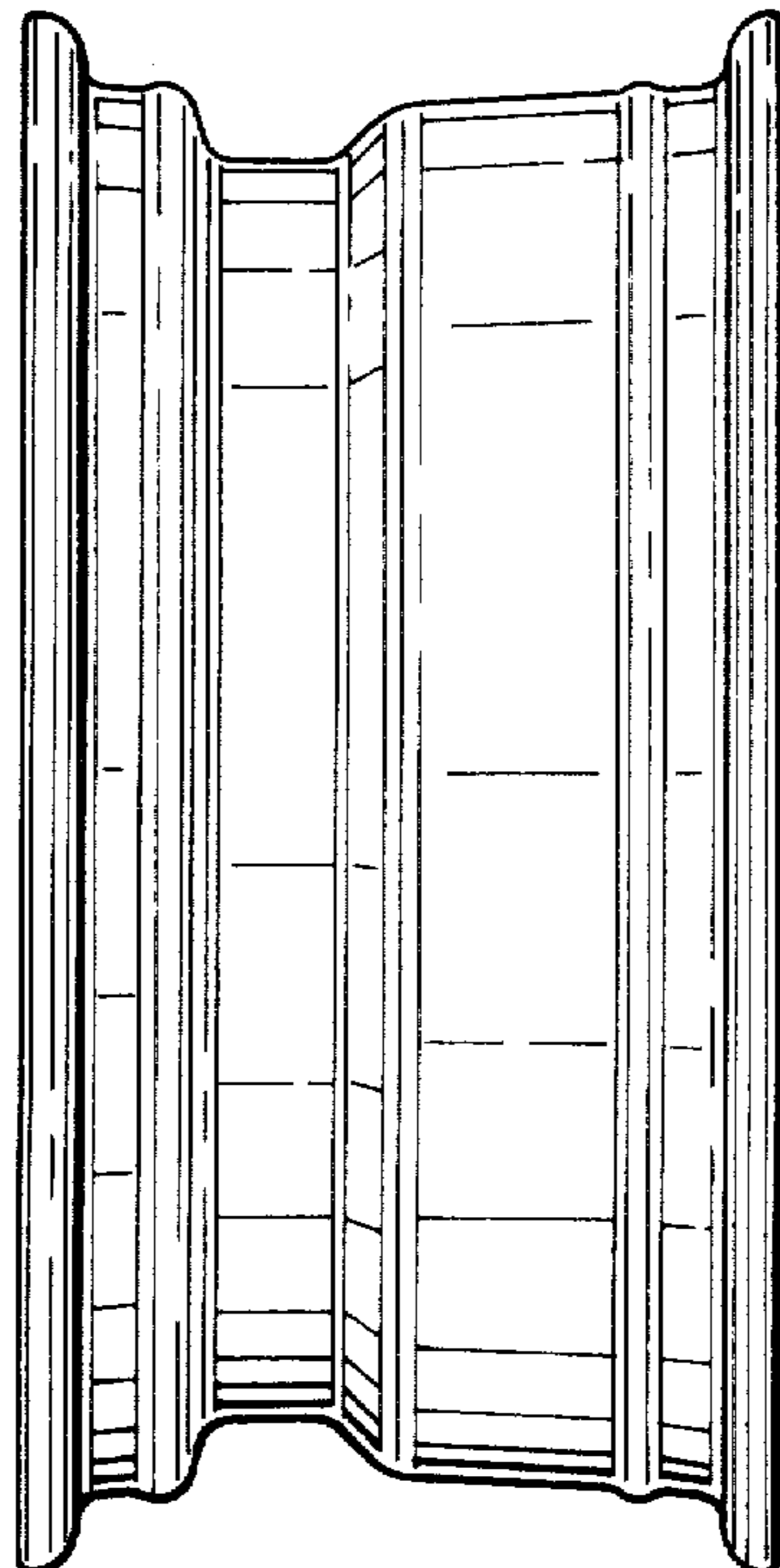


FIG. 2

FIG. 3

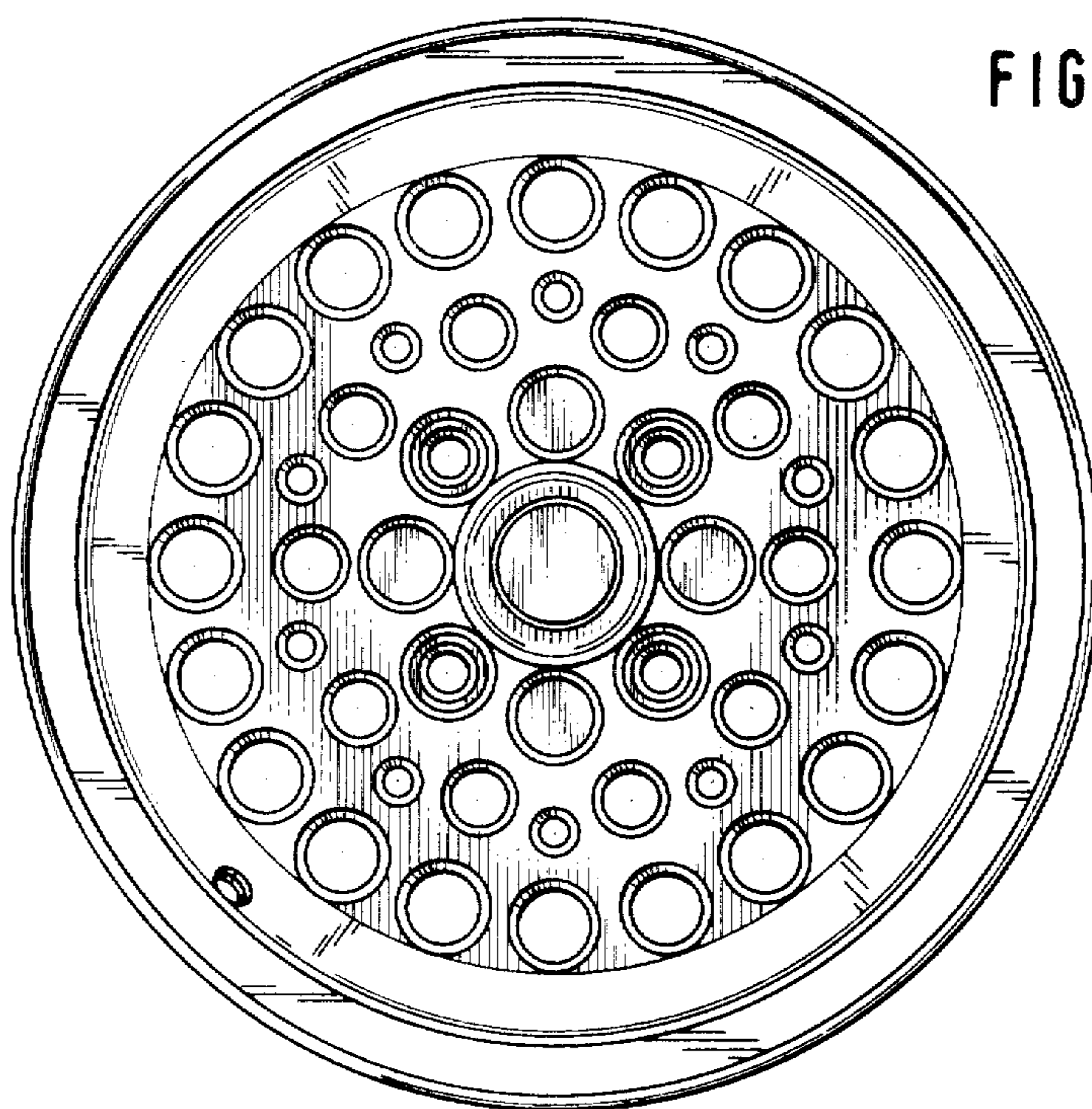


FIG. 4

