

[54] VEHICLE

[76] Inventors: Philip M. Elkins, 6909 Cedros Ave., Van Nuys, Calif. 91405; Bernard M. Greene, 7512 Sunny Brae Ave., Canoga Park, Calif. 91306

[**] Term: 14 Years

[21] Appl. No.: 111,763

[22] Filed: Jan. 14, 1980

[51] Int. Cl. D12-13

[52] U.S. Cl. D12/83

[58] Field of Search D12/83; 296/1 R

[56] References Cited

U.S. PATENT DOCUMENTS

D. 171,550 2/1954 Mayer D12/83

Primary Examiner—James M. Gandy

Attorney, Agent, or Firm—Allan M. Shapiro

[57] CLAIM

The ornamental design for a vehicle, substantially as shown and described.

DESCRIPTION

FIG. 1 is a perspective view of a vehicle, showing our new design;

FIG. 2 is another perspective view thereof;

FIG. 3 is a left side elevational view thereof;

FIG. 4 is a right side elevational view thereof;

FIG. 5 is a front end elevational view thereof;

FIG. 6 is a rear end elevational view thereof; and

FIG. 7 is a top plan view thereof;

FIG. 8 is a right side elevational view of a vehicle showing a second embodiment of our new design;

FIG. 9 is a left side elevational view of FIG. 8;

FIG. 10 is an end elevational view of either the front or rear of FIG. 8; and

FIG. 11 is a top plan view of FIG. 8.

The bottom, not shown, is plain and unornamented.

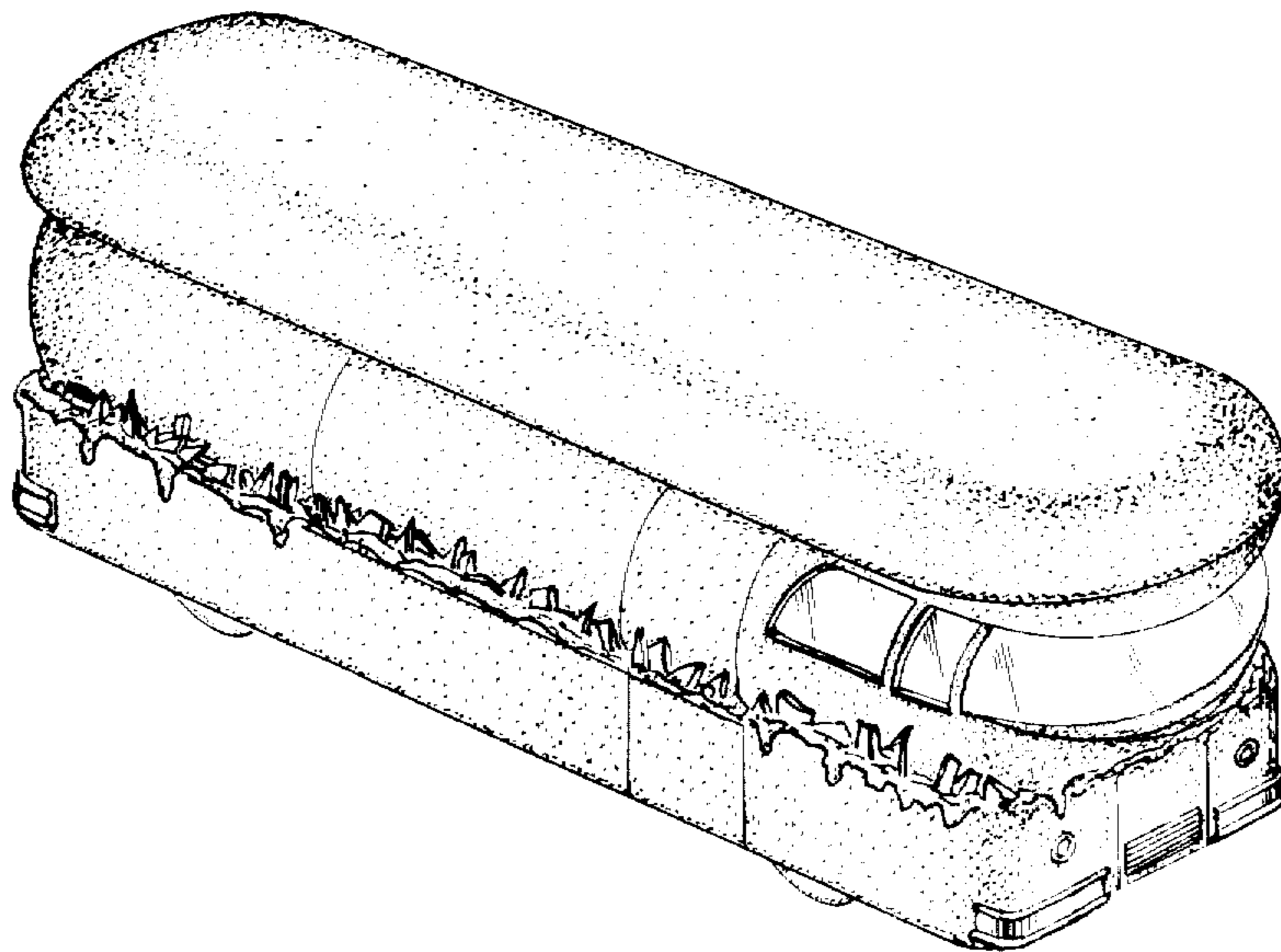


FIG. 1

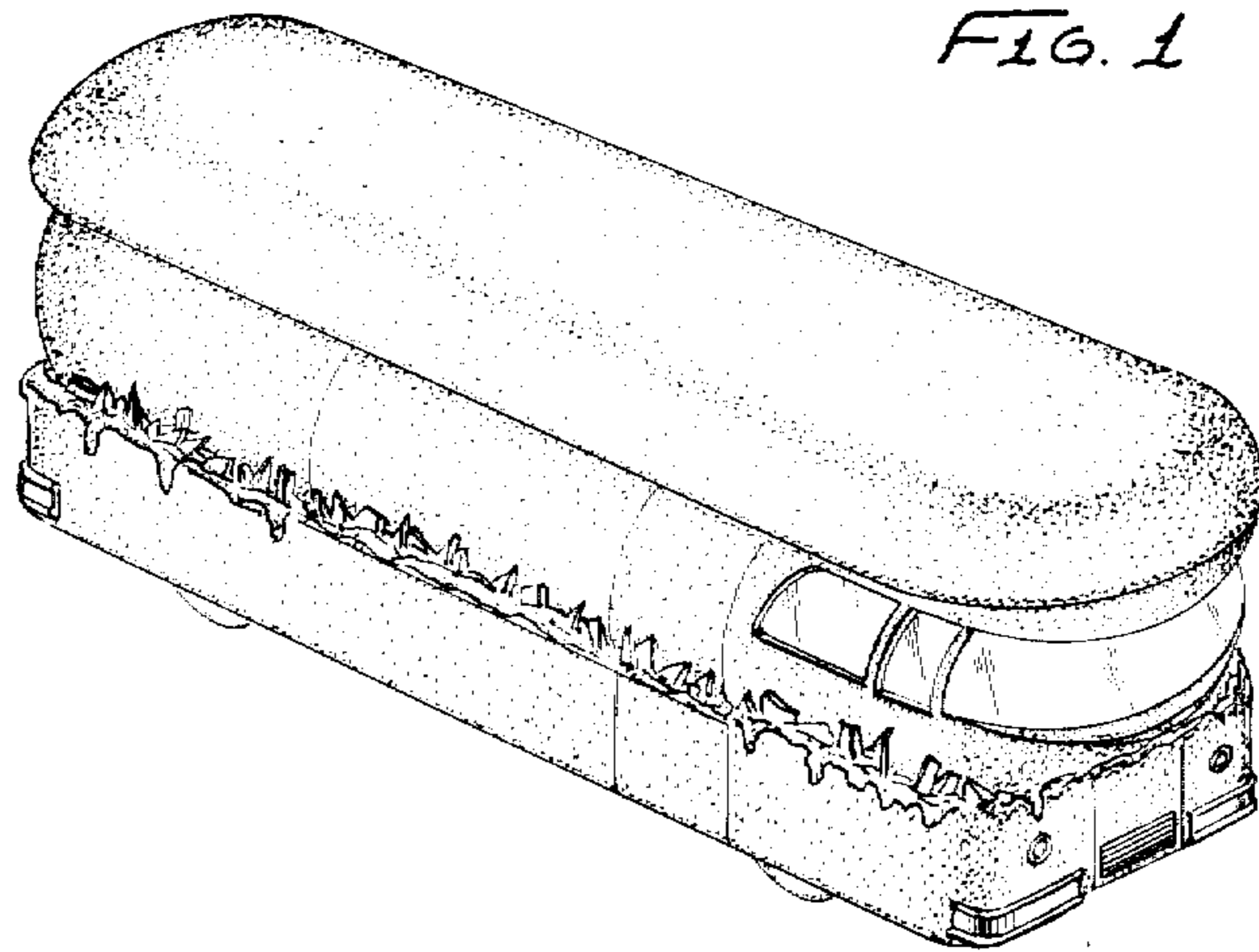


FIG. 2

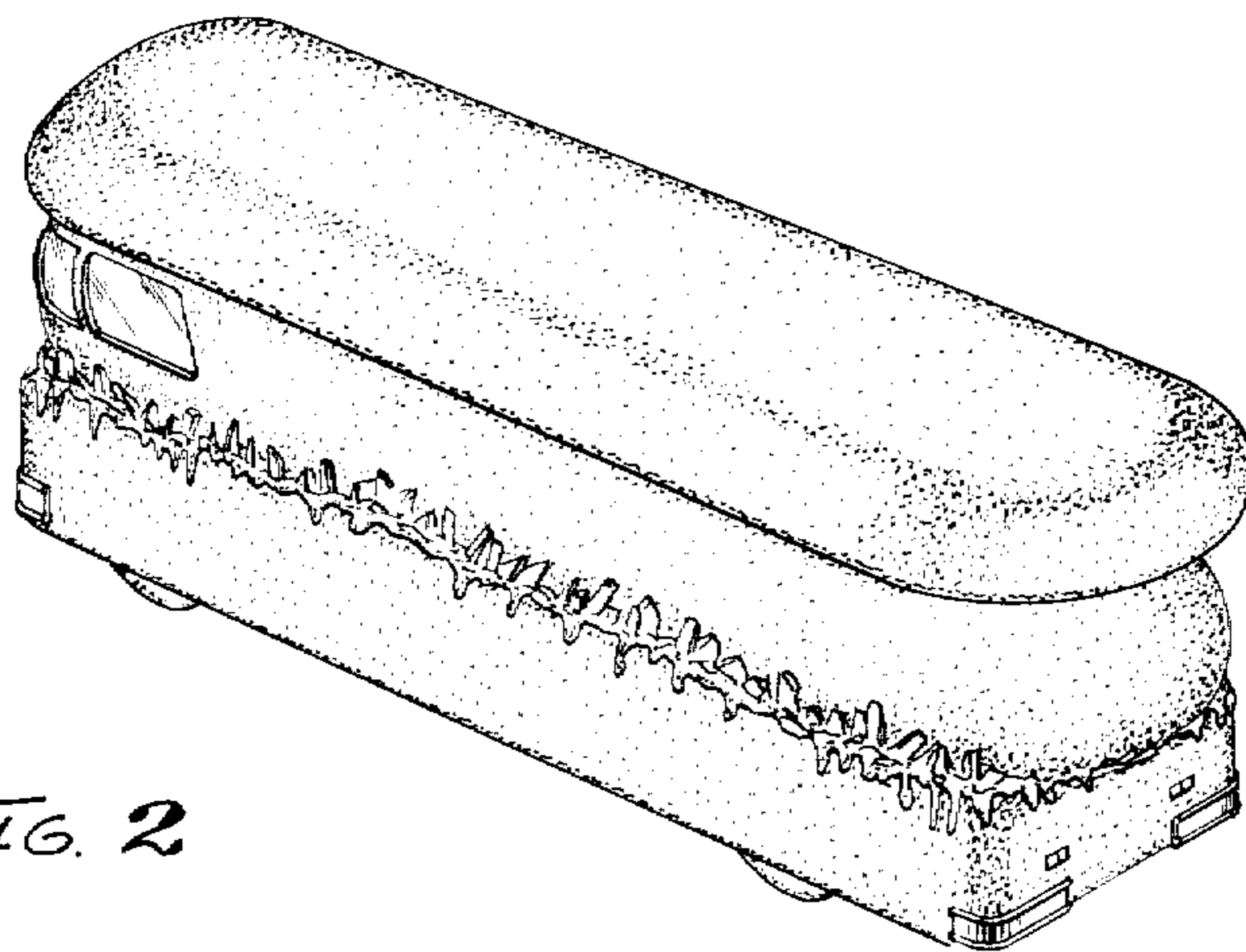
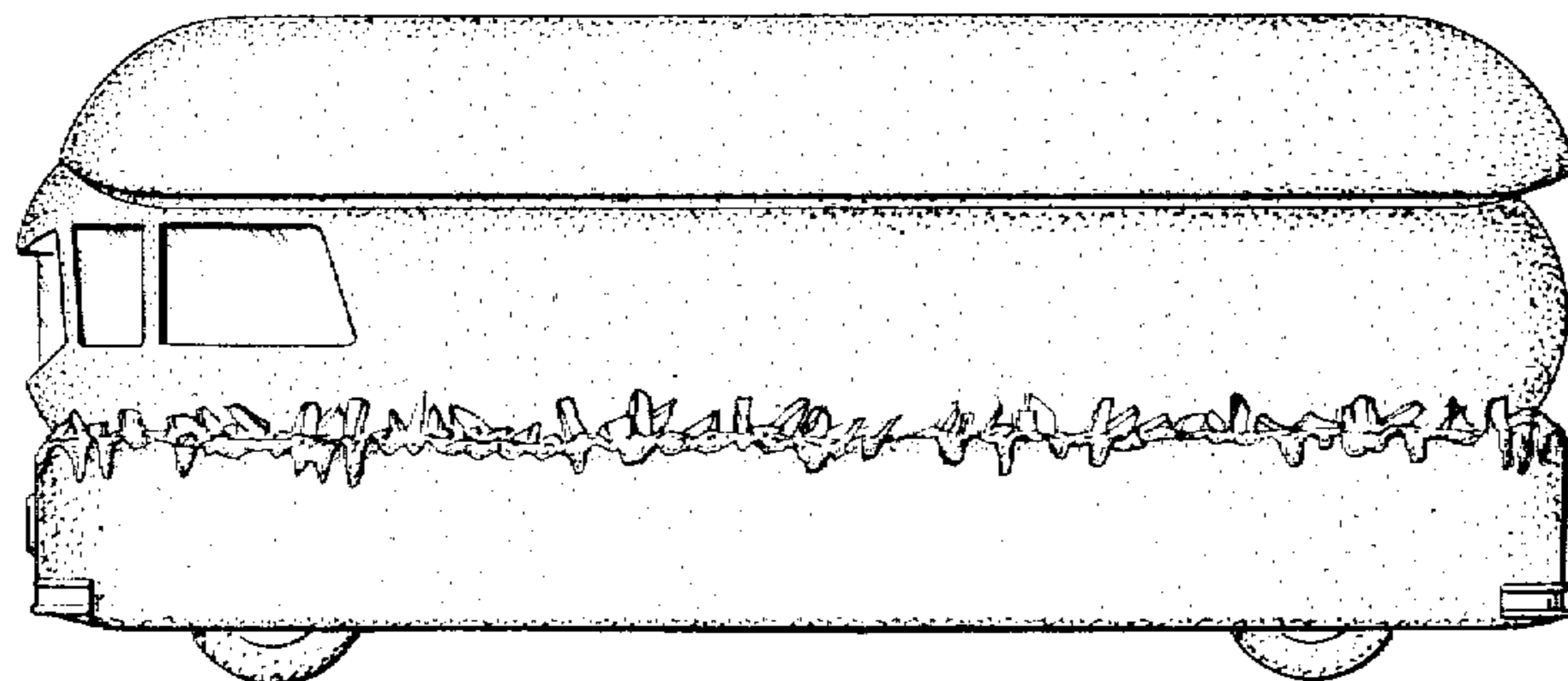


FIG. 3



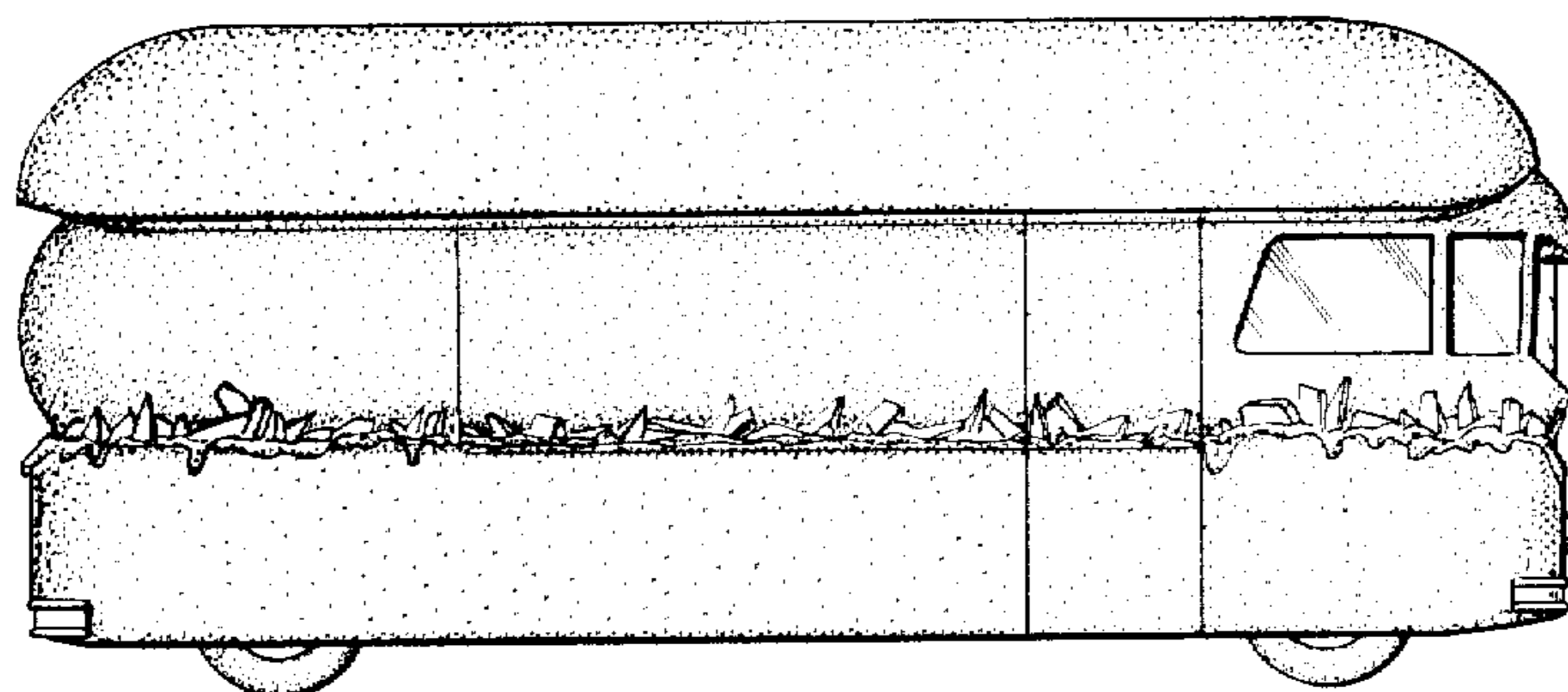


FIG. 4

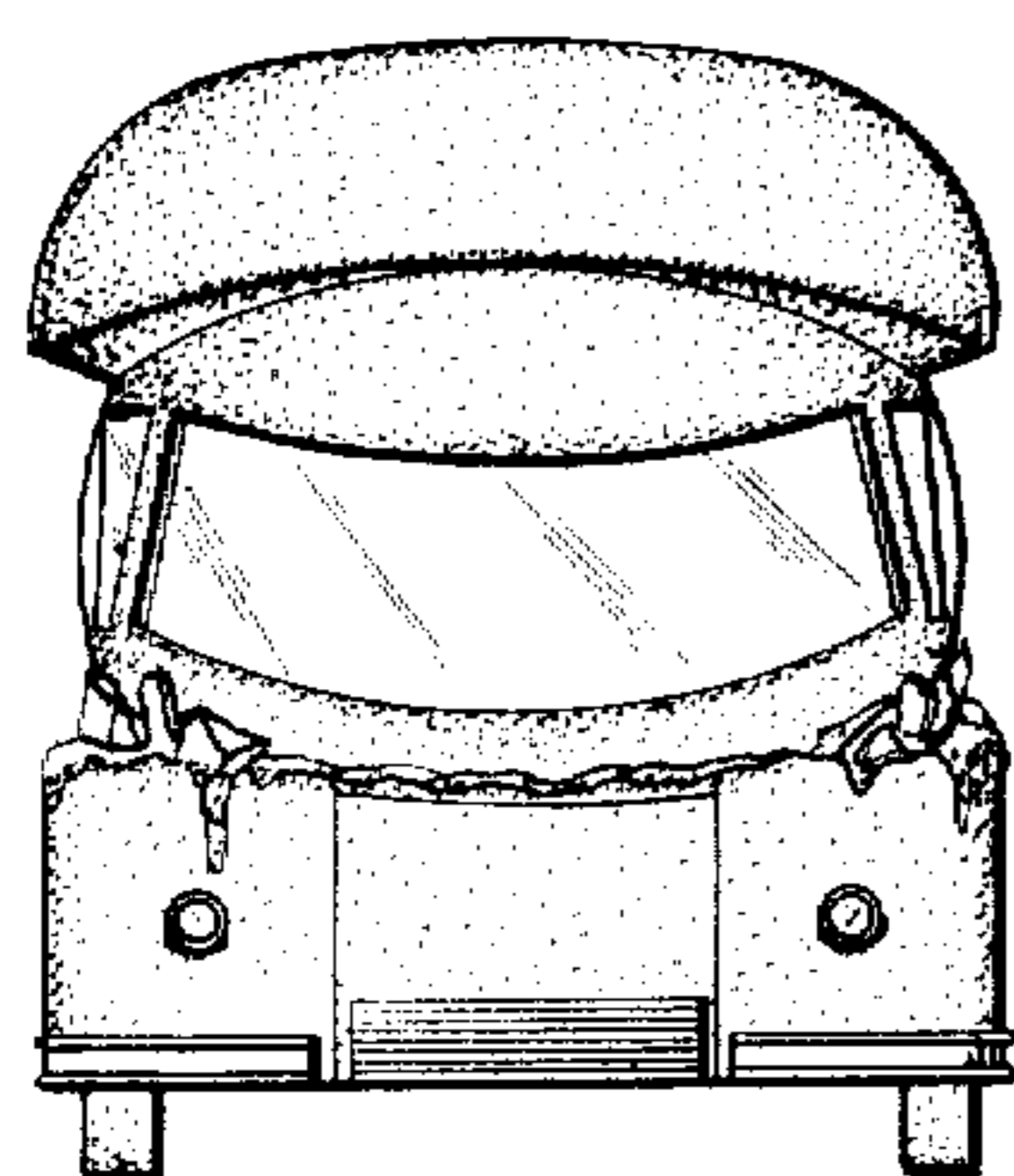


FIG. 5

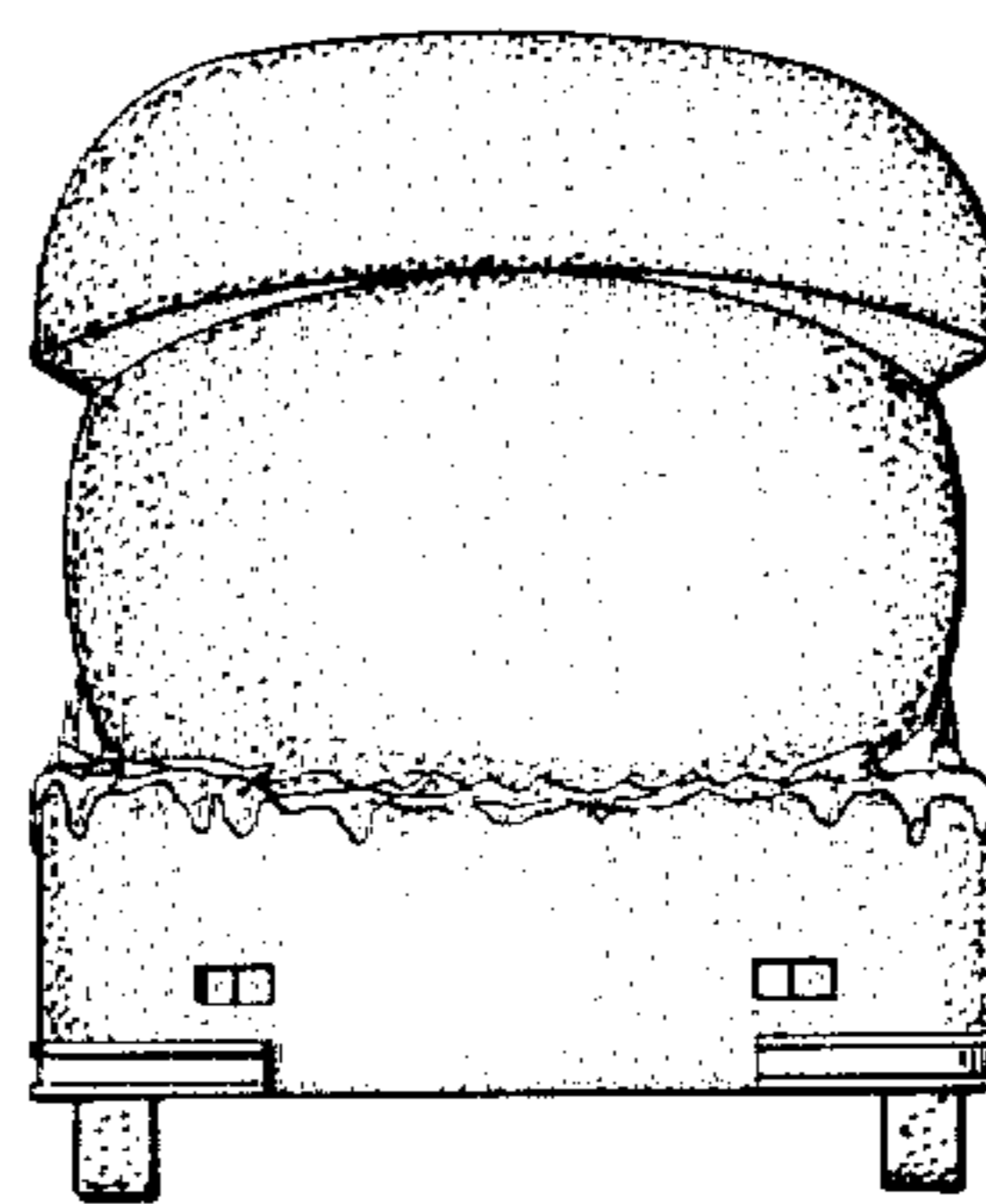


FIG. 6

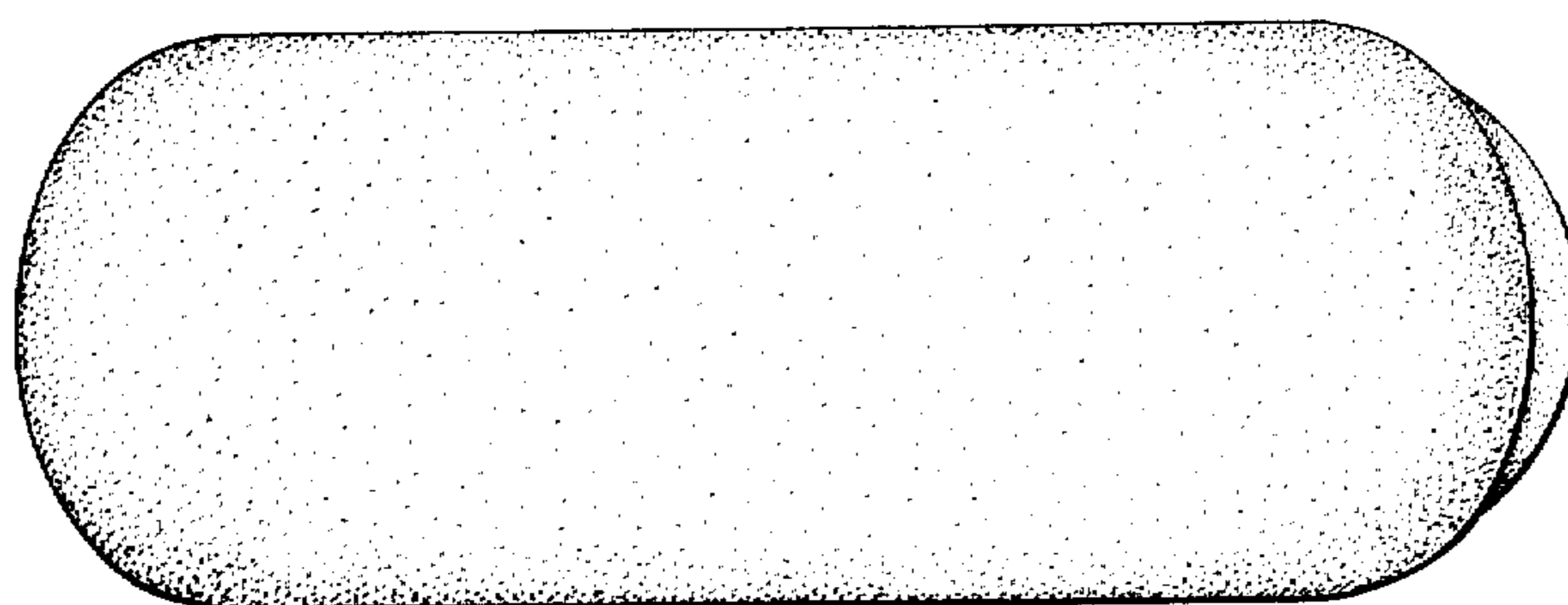


FIG. 7

FIG. 8

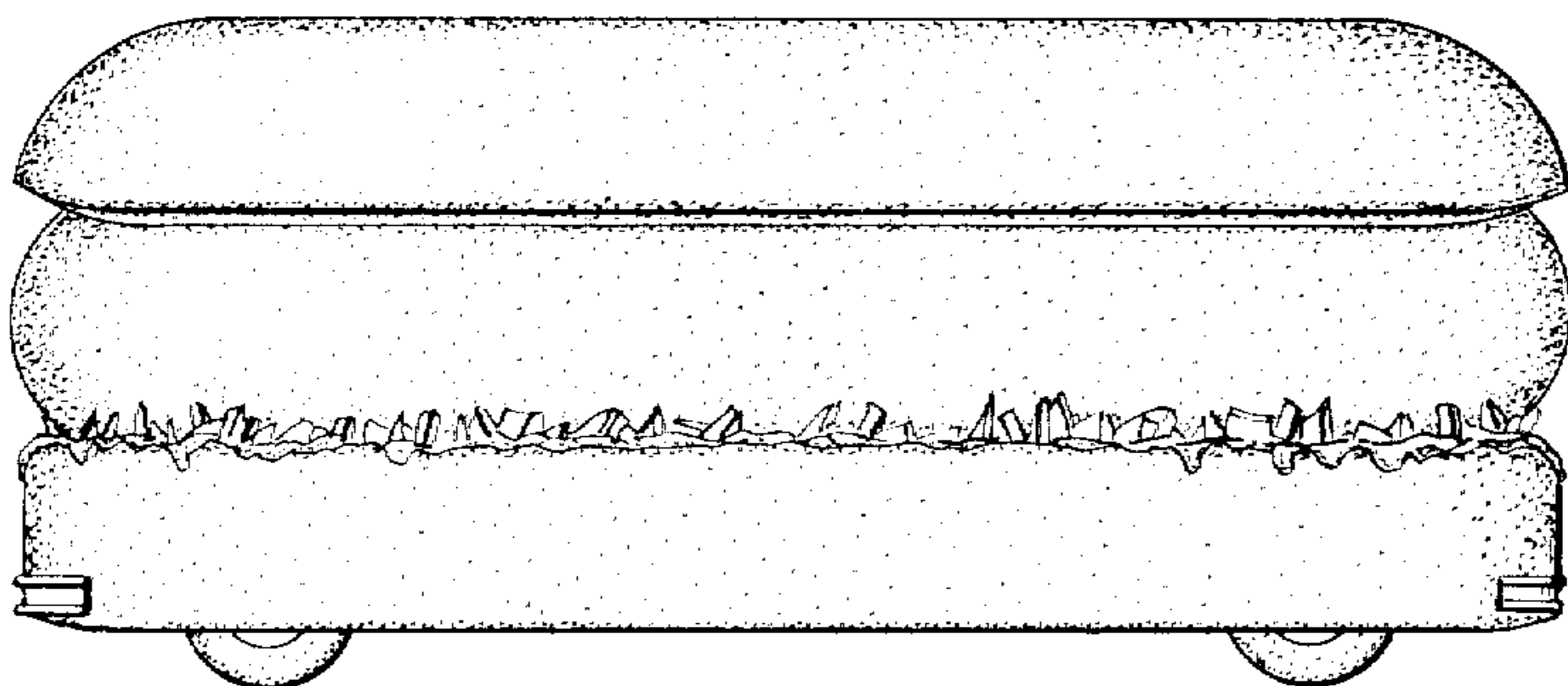
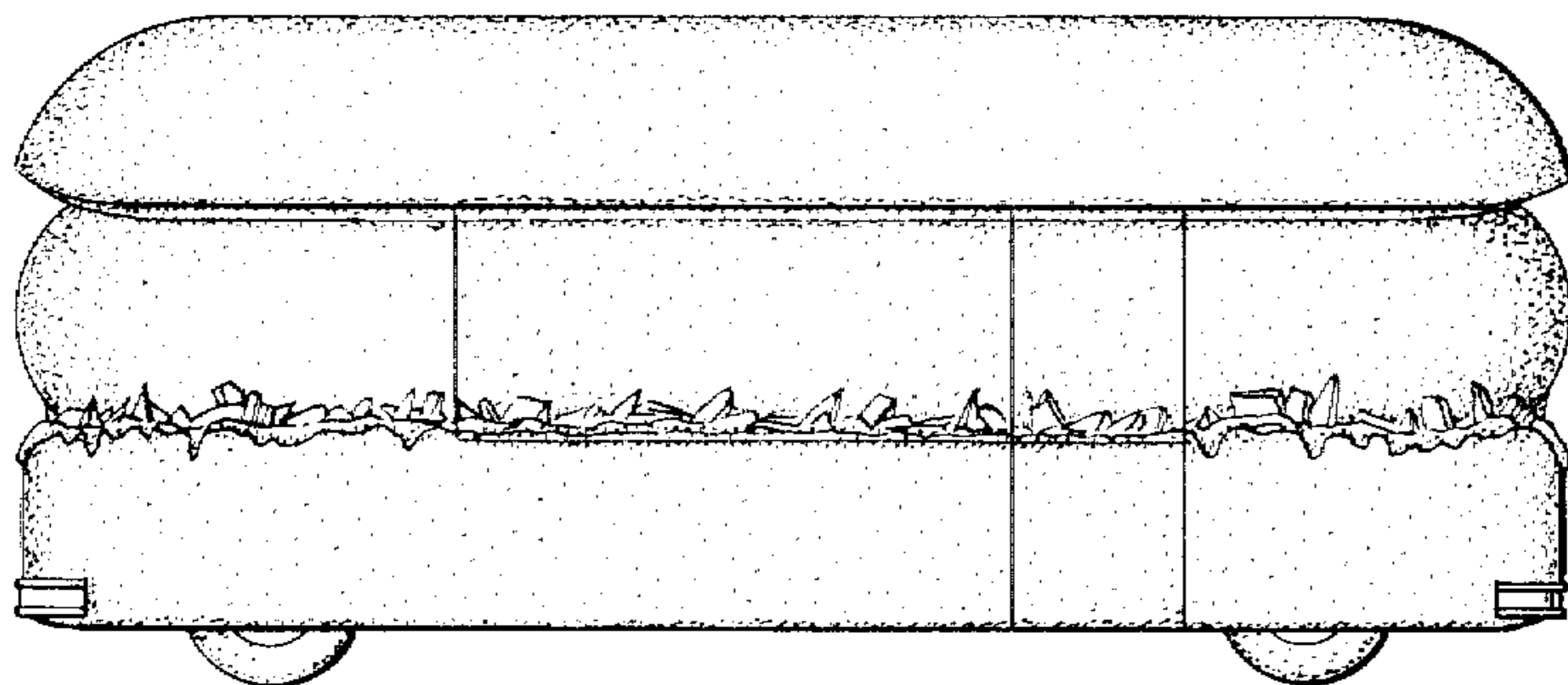


FIG. 9

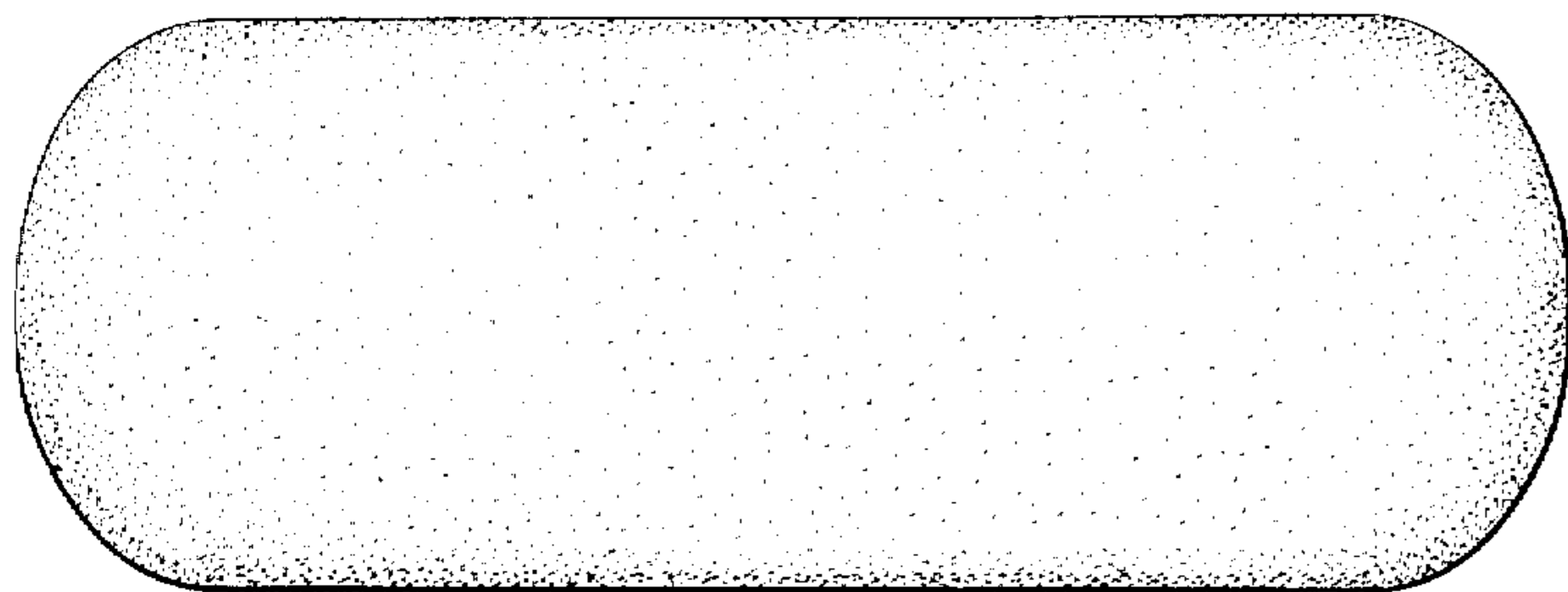


FIG. 11

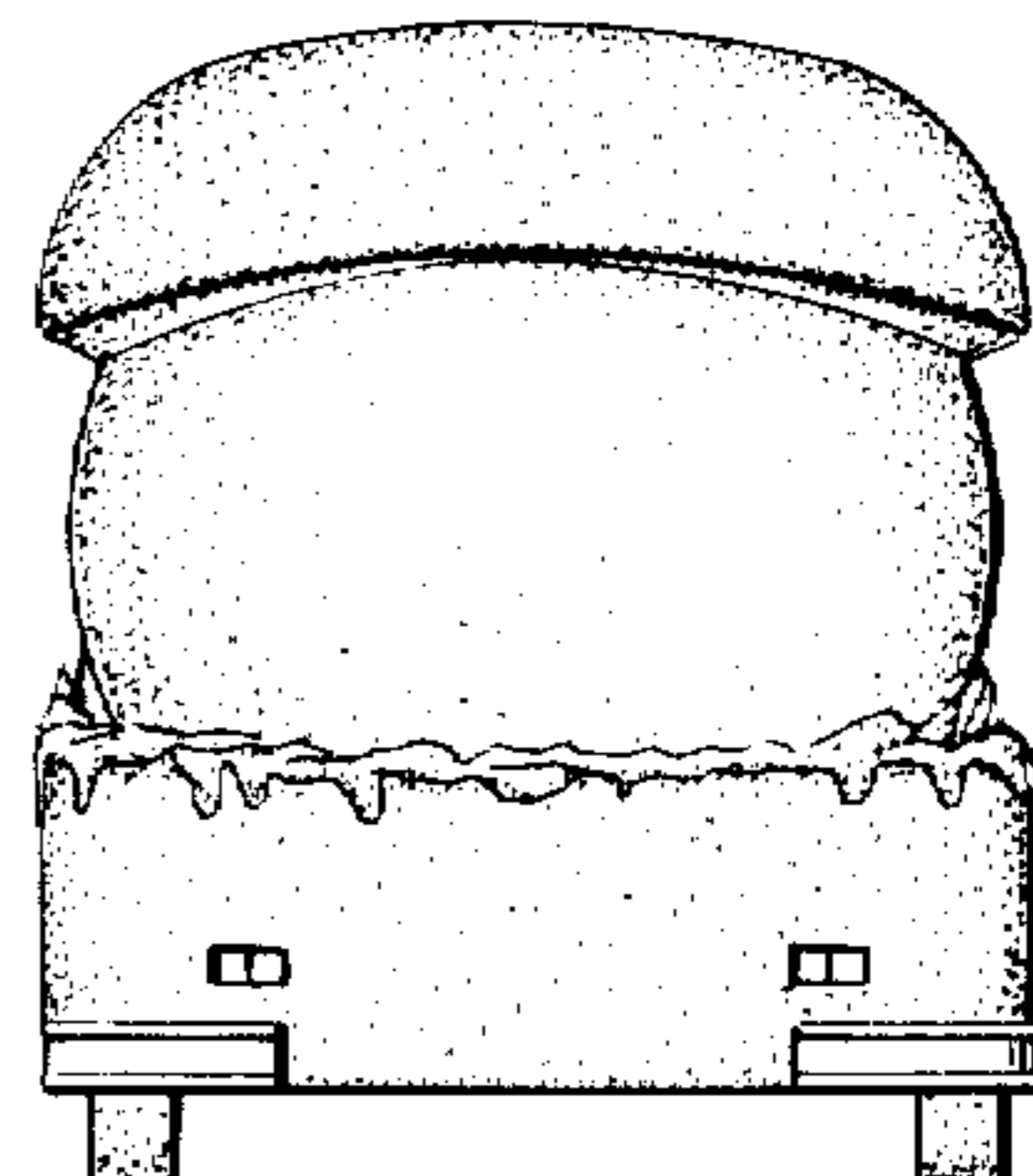


FIG. 10