

[54] ELECTRONIC TEST METER HOUSING

D. 247,100 1/1978 Schwartz D10/78
2,792,549 5/1957 Bernreuter 324/115 X

[75] Inventors: **Hugh T. Greenlee**, Cleveland; **Roy P. Hess**, Vermillion, both of Ohio; **Donald C. McKinnon**; **James R. Glasser**, both of Cheboygan, Mich.; **Robert L. Umbarger**, Munroe Falls, Ohio

[73] Assignee: **Fox Valley Instrument Company**, Cheboygan, Mich.

[**] Term: **14 Years**

[21] Appl. No.: **143,440**

[22] Filed: **Apr. 24, 1980**

[51] Int. Cl. **D10-07**

[52] U.S. Cl. **D10/80; D10/78**

[58] Field of Search **D10/80, 78, 46, 102; 324/73, 97, 115, 131, 156**

[56] **References Cited**

U.S. PATENT DOCUMENTS

D. 217,101 4/1970 Feldman D10/75 X
D. 237,365 10/1975 Vachtel D10/78
D. 240,609 7/1976 Schwartz D10/78

OTHER PUBLICATIONS

American Electronic Laboratories Bulletin #80-5, 5/6/63, Model 245 Semiconductor Tester.

Electronic Technician-2/62-p. 52-"Conar" VTVM at right.

Electronic Technician/Dealer-4/75, p. 15-VOM Meter.

Primary Examiner-Nelson C. Holtje

Attorney, Agent, or Firm-Stephen J. Rudy

[57] **CLAIM**

The ornamental design for an electronic test meter housing, as shown and described.

DESCRIPTION

FIG. 1 is a front elevational view of an electronic test meter housing showing our new design, the dial and pointer portions shown in broken lines are illustrative only and form no part of the design claimed;

FIG. 2 is a rear elevational view thereof;

FIG. 3 is a left side elevational view thereof, the right side being a mirror image thereto;

FIG. 4 is a top plan view thereof;

FIG. 5 is a bottom plan view thereof.

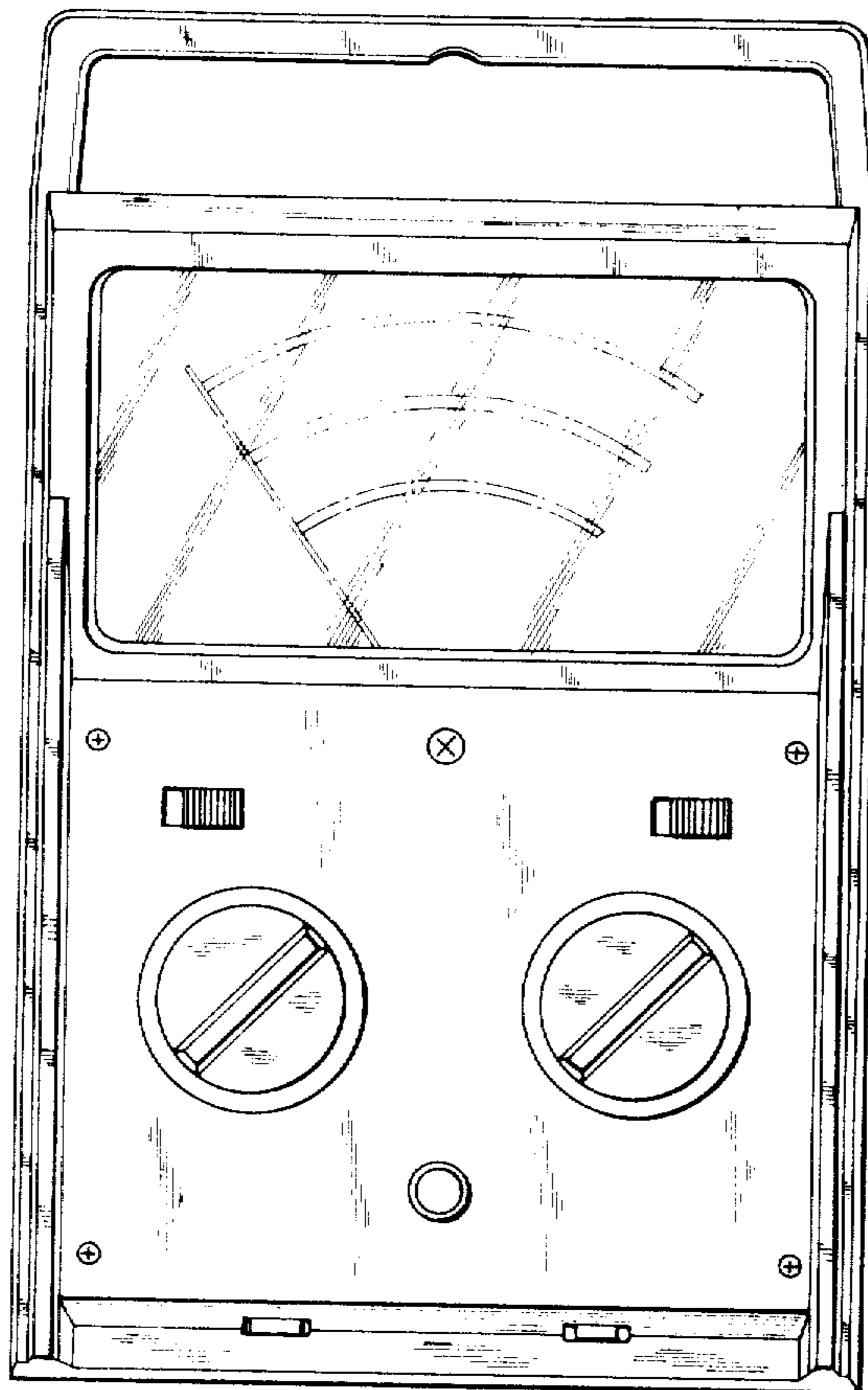


FIG. 1

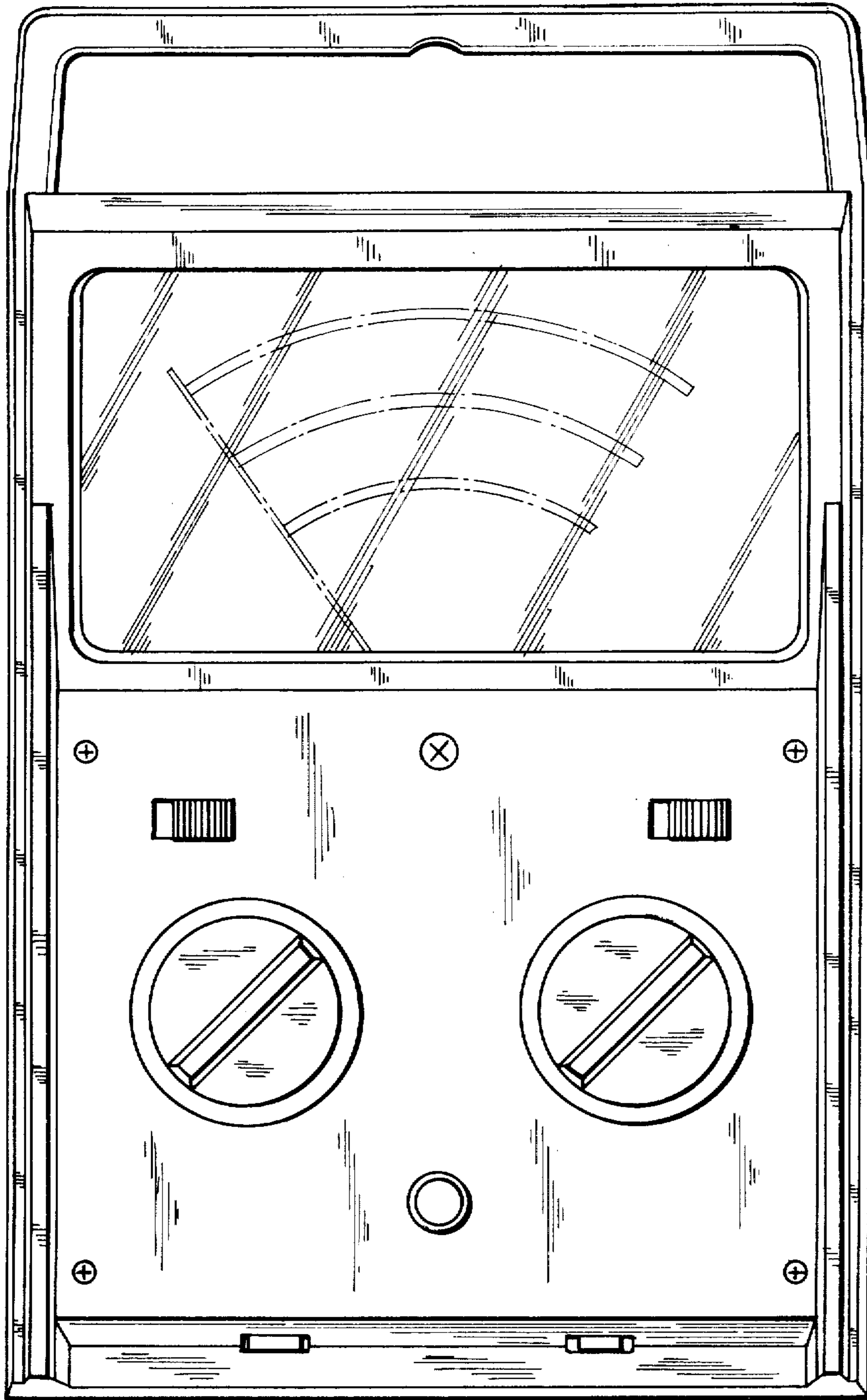
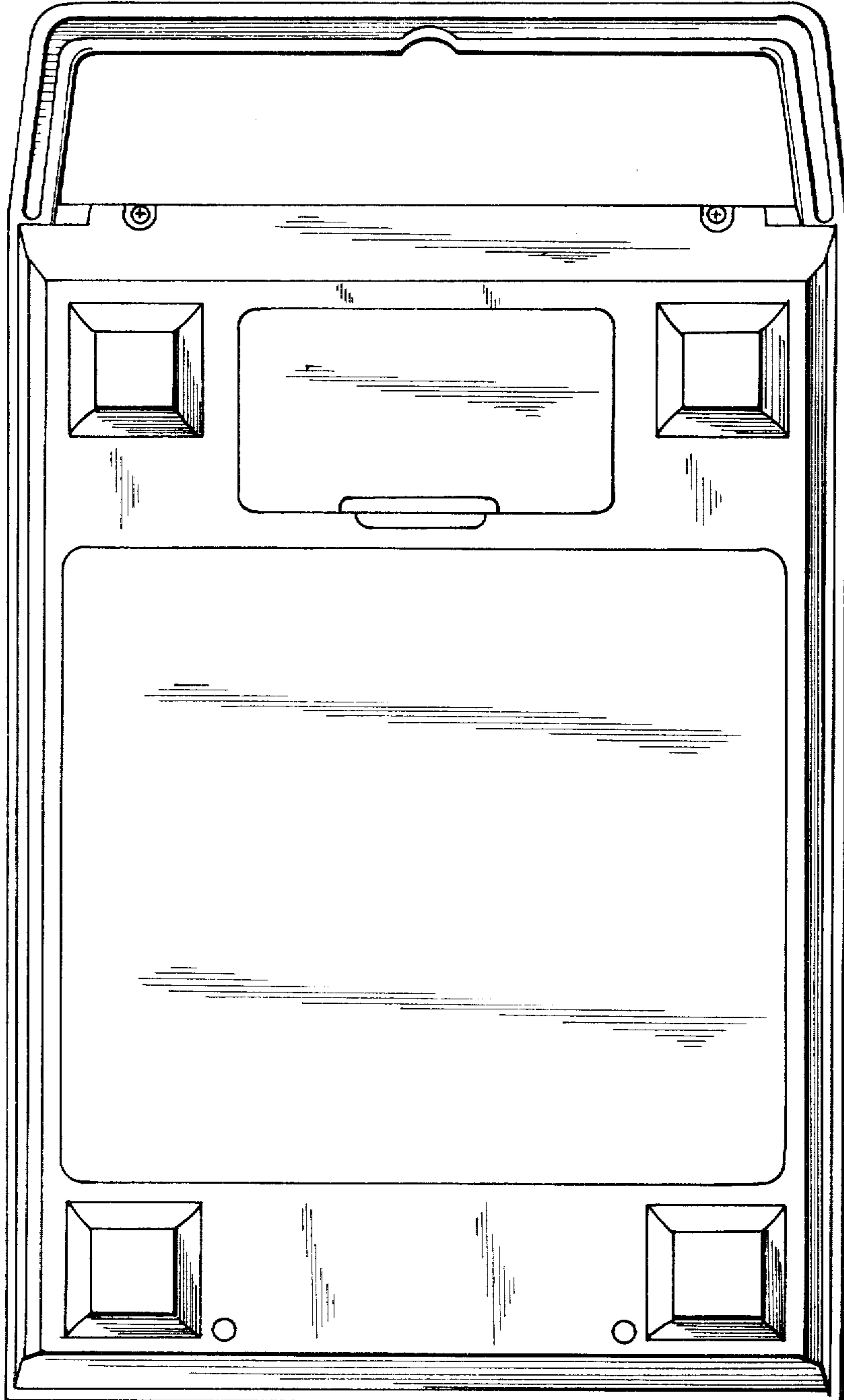


FIG. 2



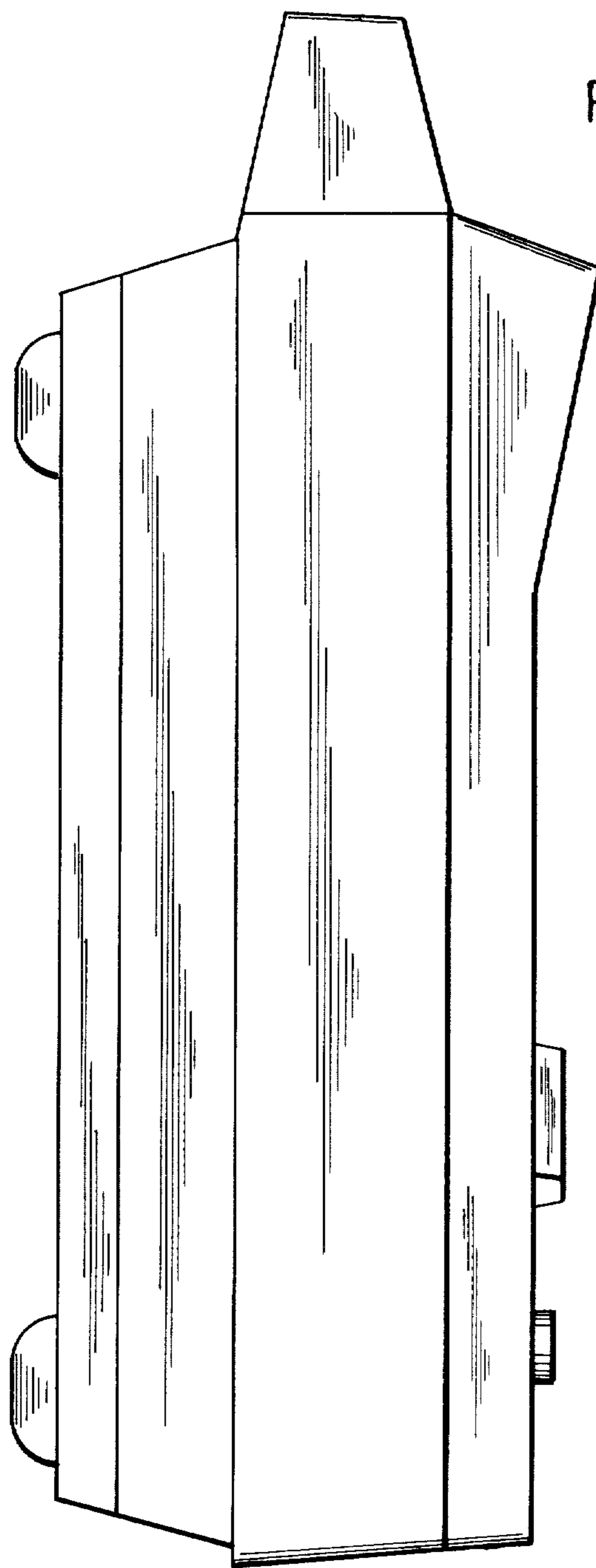


FIG. 3

FIG. 4

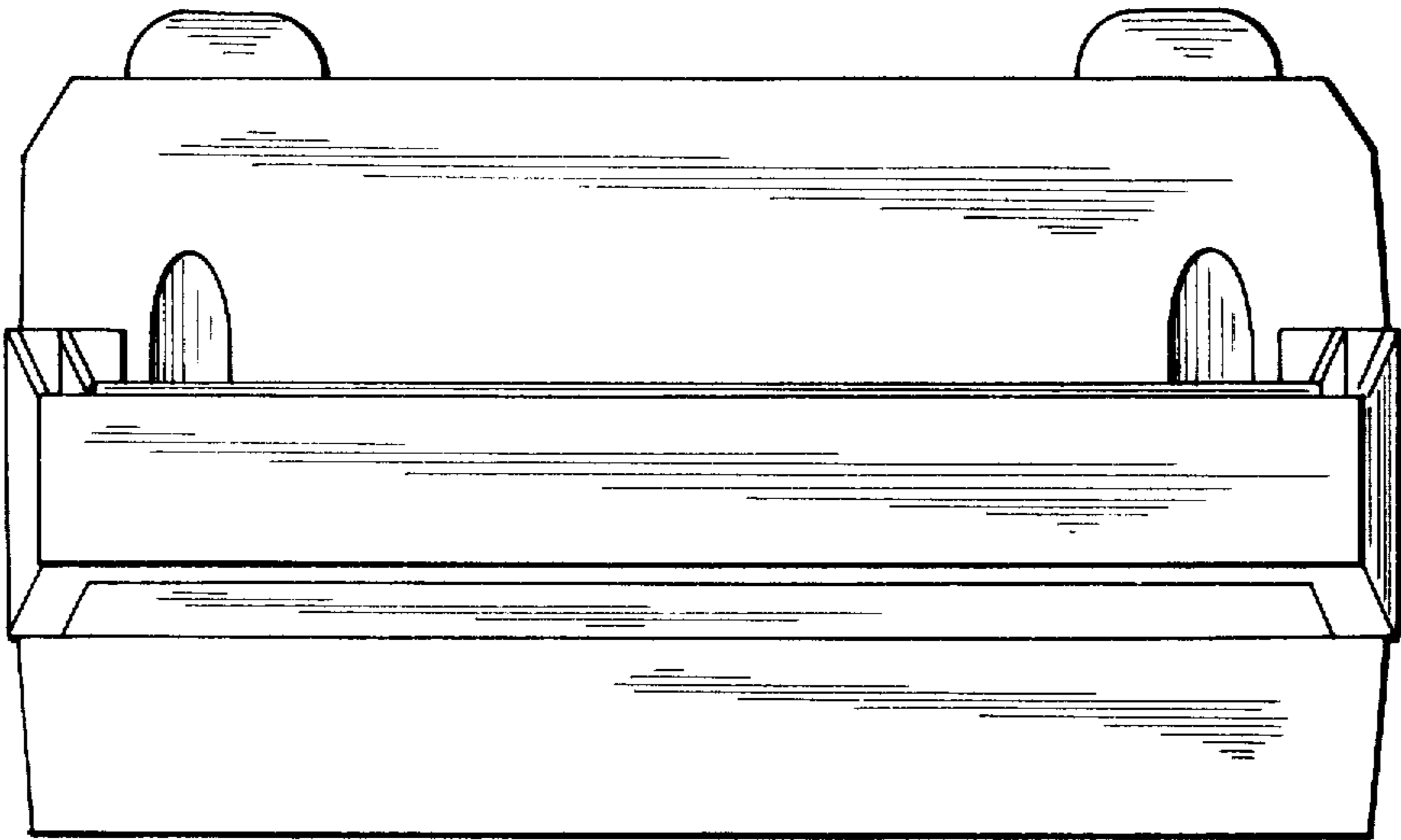


FIG. 5

