

[54] DEPTH SOUNDER

[75] Inventor: Timothy J. Jondrow, Salem, Oreg.

[73] Assignee: Morrow Electronics, Inc., Salem, Oreg.

[**] Term: 14 Years

[21] Appl. No.: 70,053

[22] Filed: Aug. 27, 1979

[51] Int. Cl. D10-04

[52] U.S. Cl. D10/46; D10/112; D10/78; D10/70

[58] Field of Search D10/46, 57, 78, 112, D10/70; 33/126; 367/87, 910

[56] References Cited

U.S. PATENT DOCUMENTS

D. 231,739 6/1974 Gauthier D10/78 X

D. 232,120 7/1974 Schwartz D10/112

D. 237,471 11/1975 Richmann D10/46

D. 240,611 7/1976 Schwartz D10/78

D. 246,766 12/1977 Everest D10/57

D. 248,630 7/1978 Maxwell D10/112

D. 249,484 9/1978 Shumway D10/112

Primary Examiner—Nelson C. Holtje
 Attorney, Agent, or Firm—John P. Dellett

[57] CLAIM

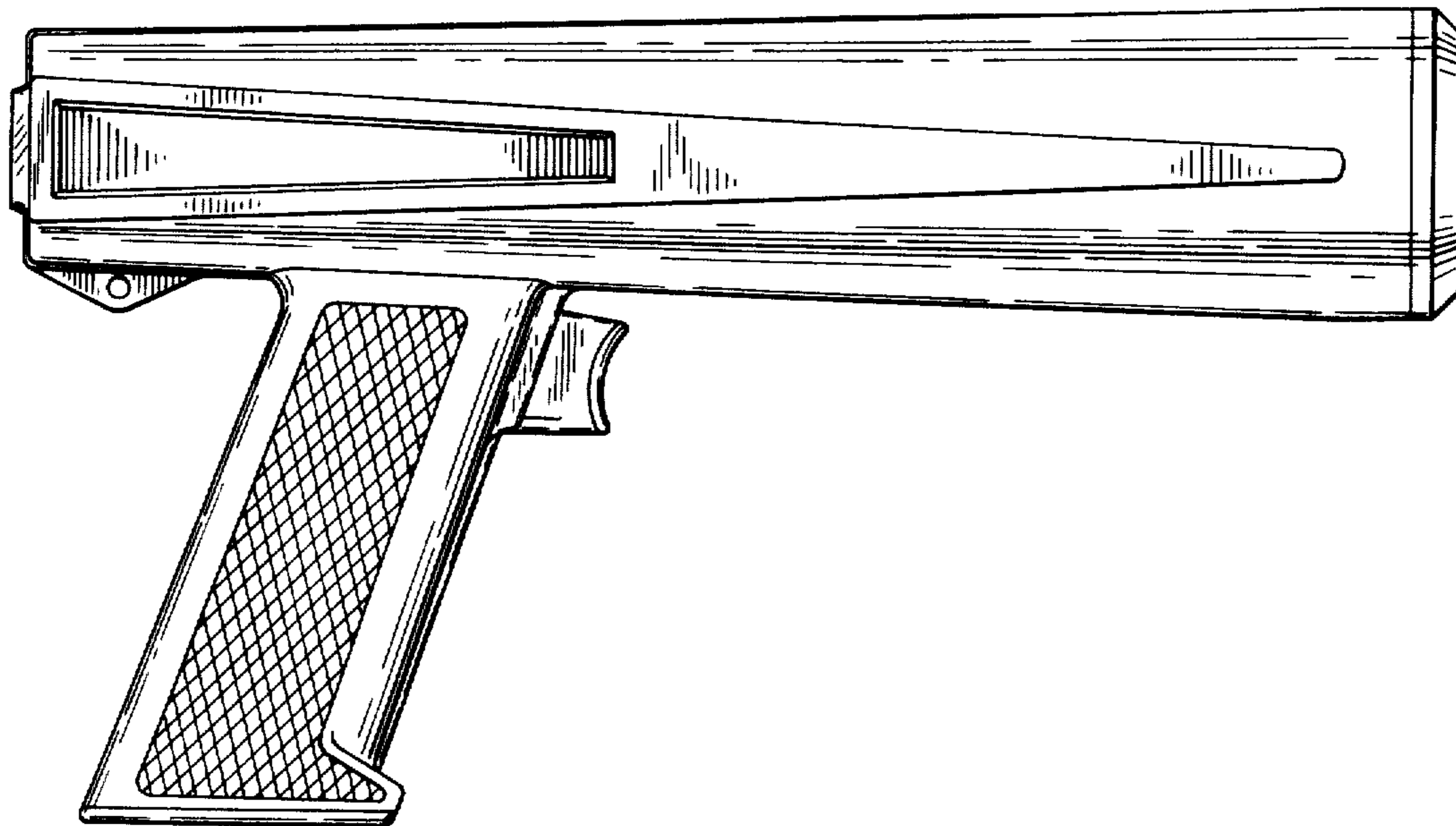
The ornamental design for a depth sounder, as shown and described.

DESCRIPTION

FIG. 1 is a left side elevational view thereof showing my new design;

FIG. 2 is a top and left rear perspective view thereof; and

FIG. 3 is a bottom and right front perspective view thereof.



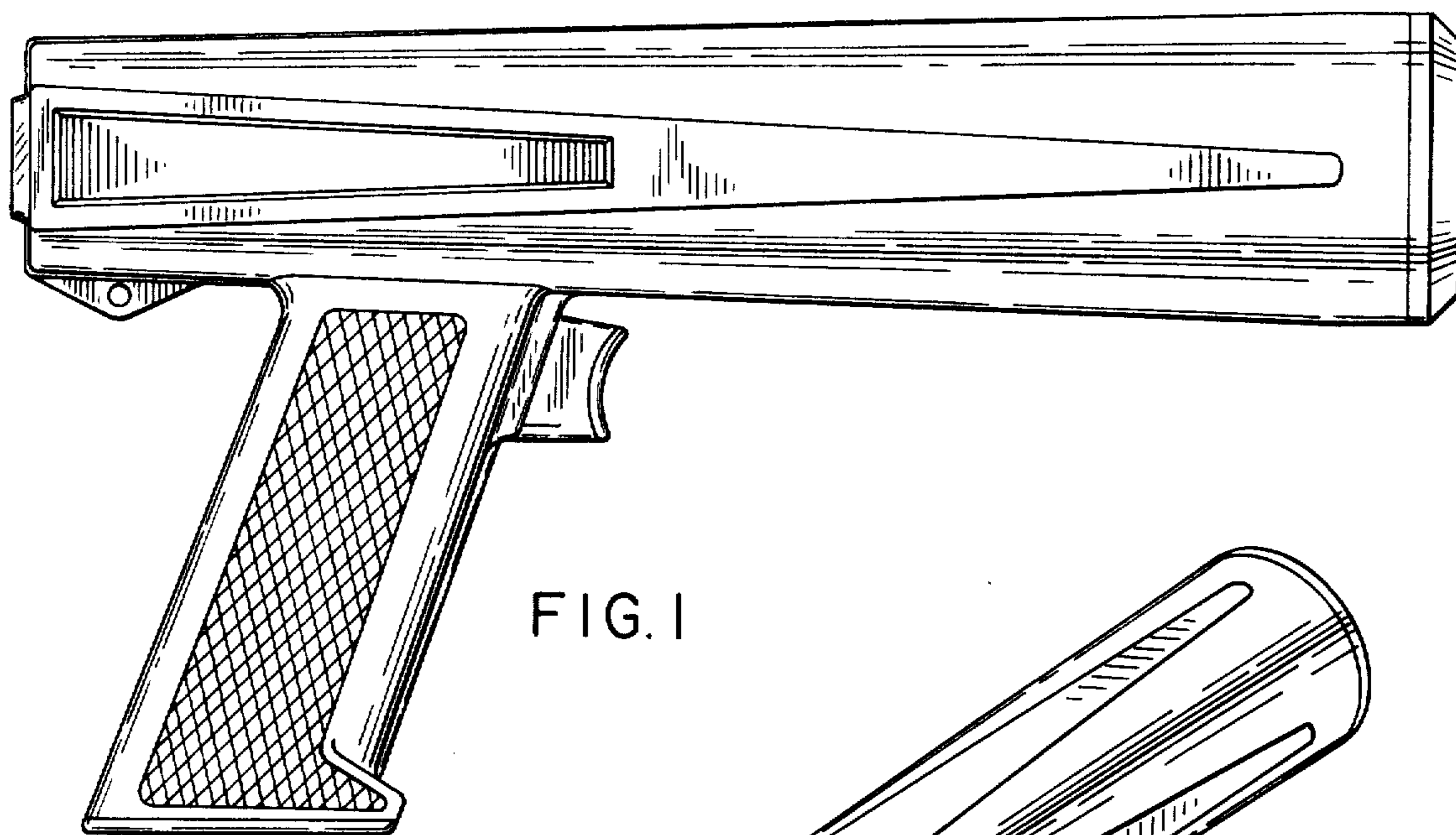


FIG. 1

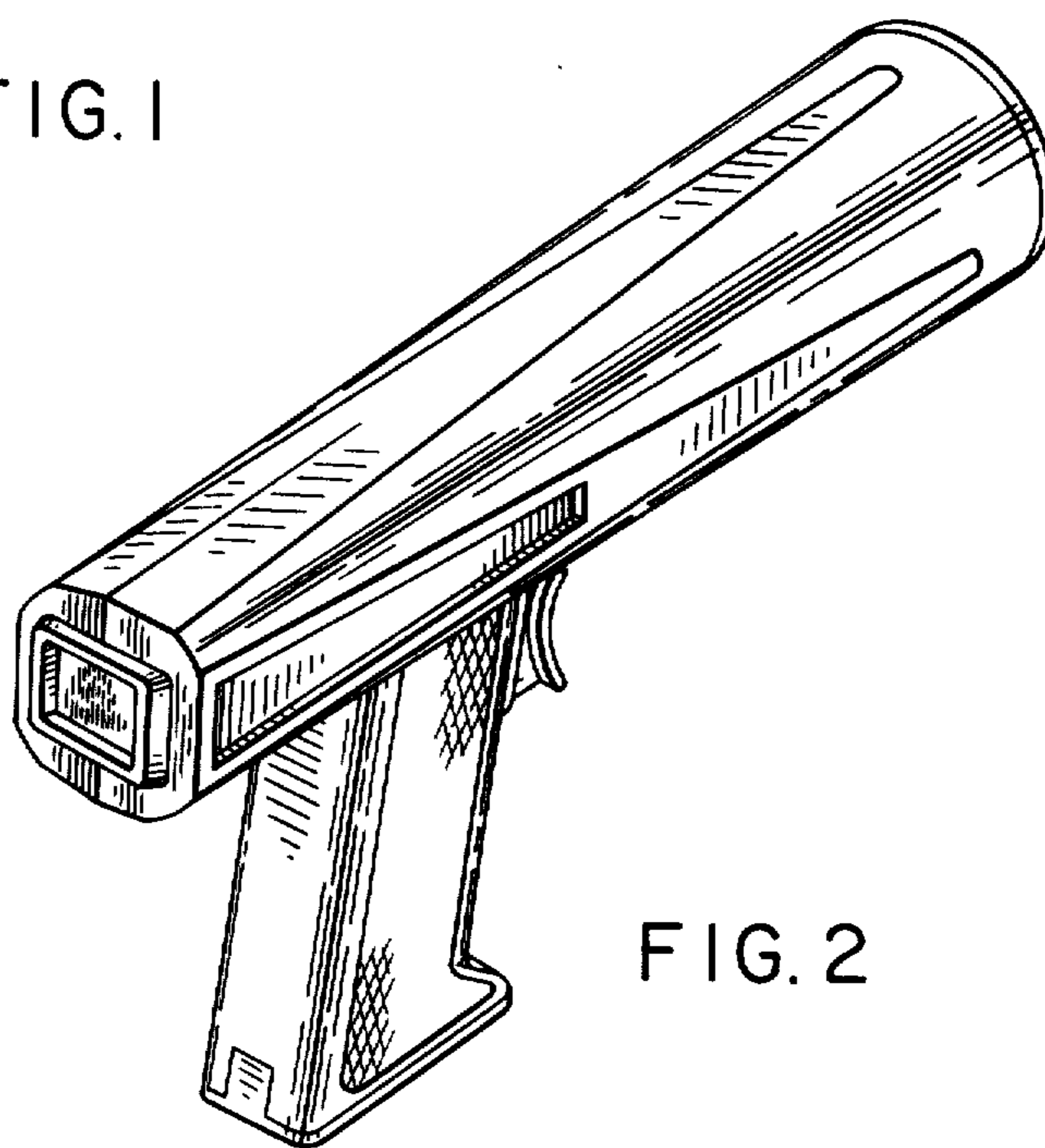


FIG. 2

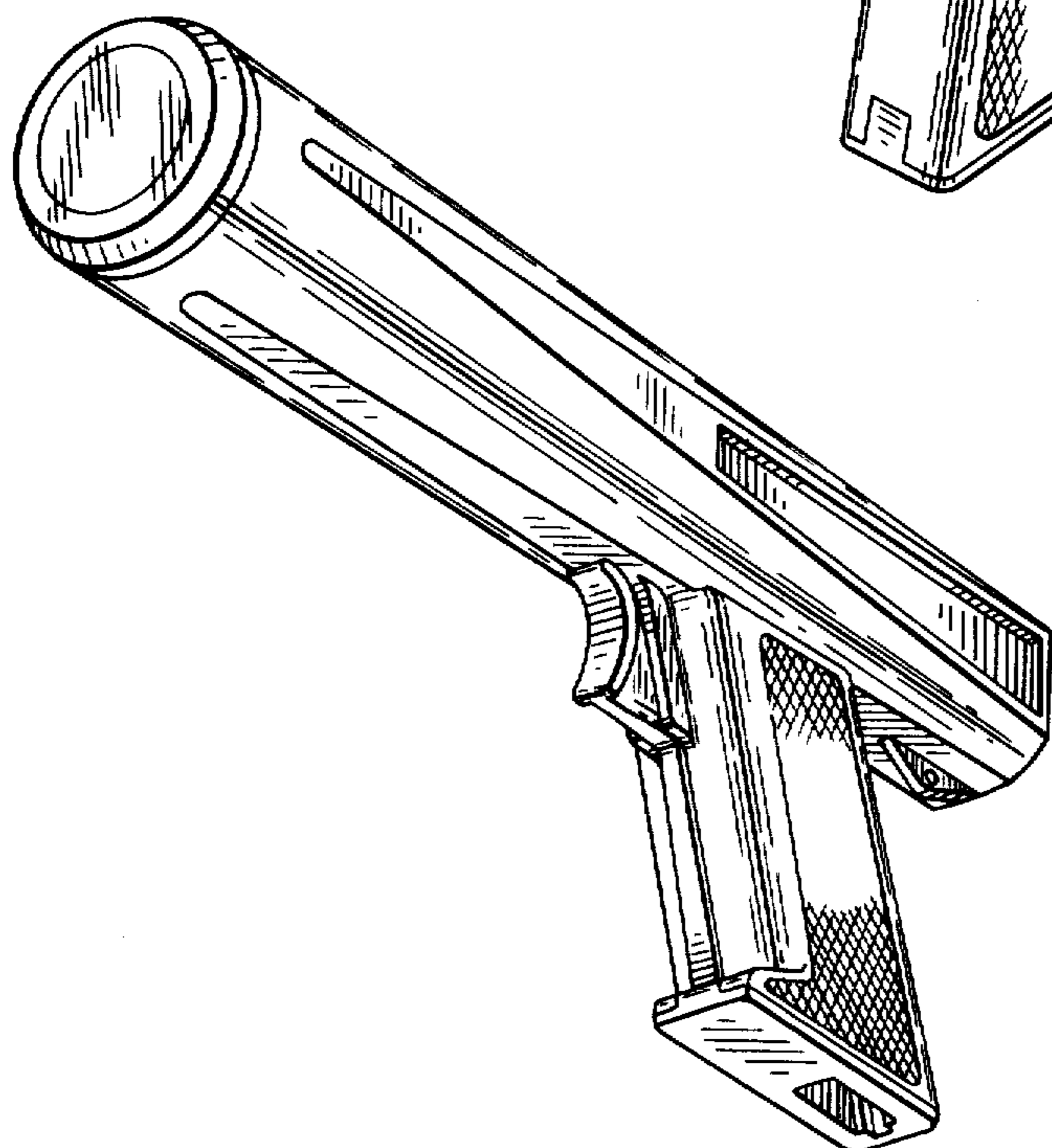


FIG. 3