

[54] THERMOSTAT HOUSING

[75] Inventors: Ted G. Crawford, Longmont; Robert M. Neel, Ft. Collins; Douglas K. Ewald, Aurora, all of Colo.

[73] Assignee: Teledyne Industries, Inc., Ft. Collins, Colo.

[**] Term: 14 Years

[21] Appl. No.: 104,135

[22] Filed: Dec. 17, 1979

[51] Int. Cl. D10-04

[52] U.S. Cl. D10/50

[58] Field of Search D10/49, 50, 51, 52, D10/53, 60; 236/46 R, 47 R; 337/381

[56] References Cited

U.S. PATENT DOCUMENTS

4,079,366	3/1978	Wong	340/309.4
4,191,328	8/1979	Isaacs	236/46 R
4,239,368	11/1980	Neel	337/381

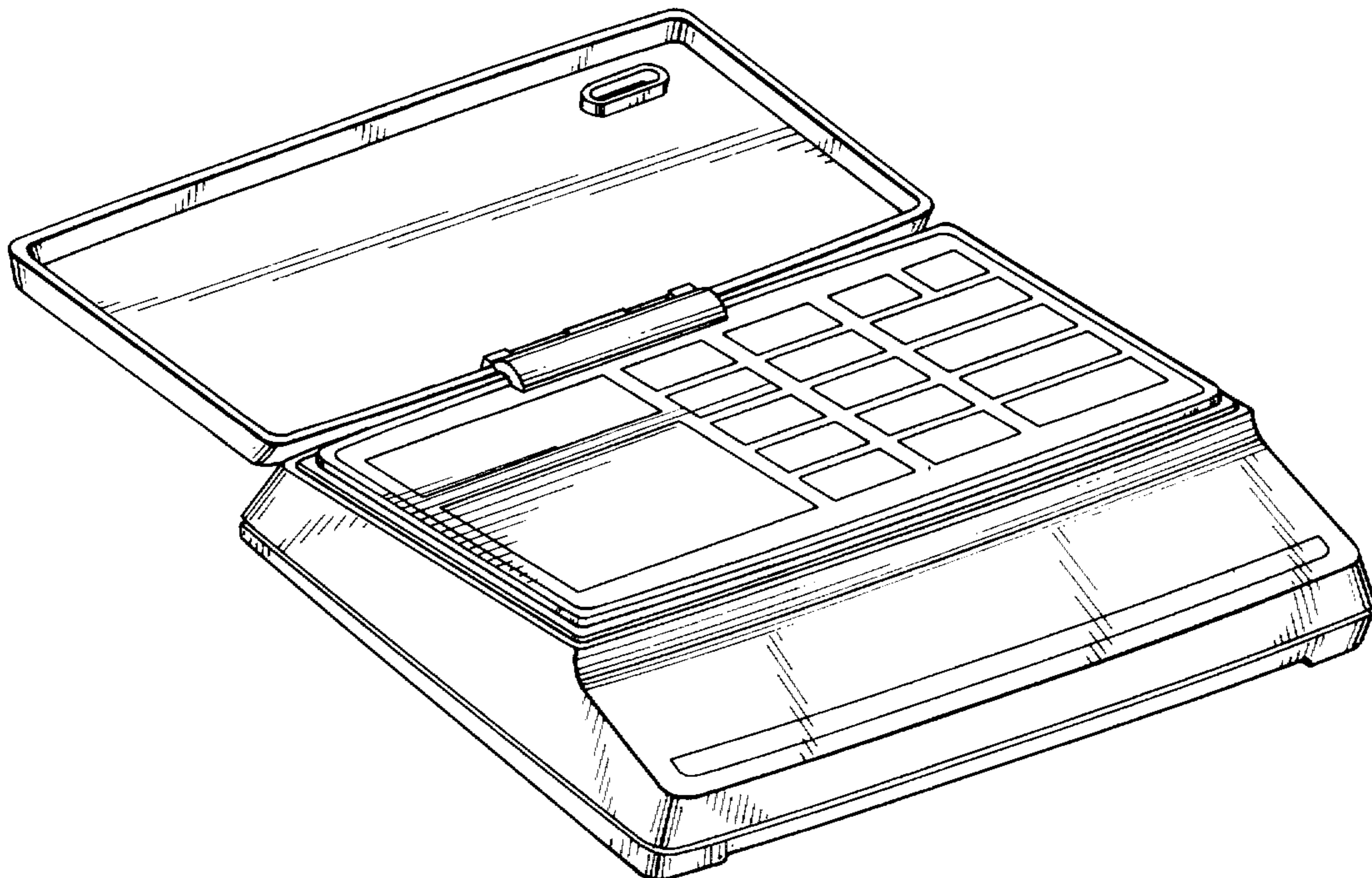
Primary Examiner—Nelson C. Holtje
Attorney, Agent, or Firm—Hugh H. Drake

[57] CLAIM

The ornamental design for a thermostat housing, as shown and described.

DESCRIPTION

FIG. 1 is a top and left front isometric view of a thermostat housing showing our new design; FIG. 2 is top and left front isometric view thereof with the cover in an open position; FIG. 3 is a front elevational view thereof; FIG. 4 is a rear elevational view thereof; FIG. 5 is a side elevational view thereof, the opposite side elevational view being a mirror image of FIG. 5; FIG. 6 is a top plan view thereof; and FIG. 7 is a bottom plan view thereof.



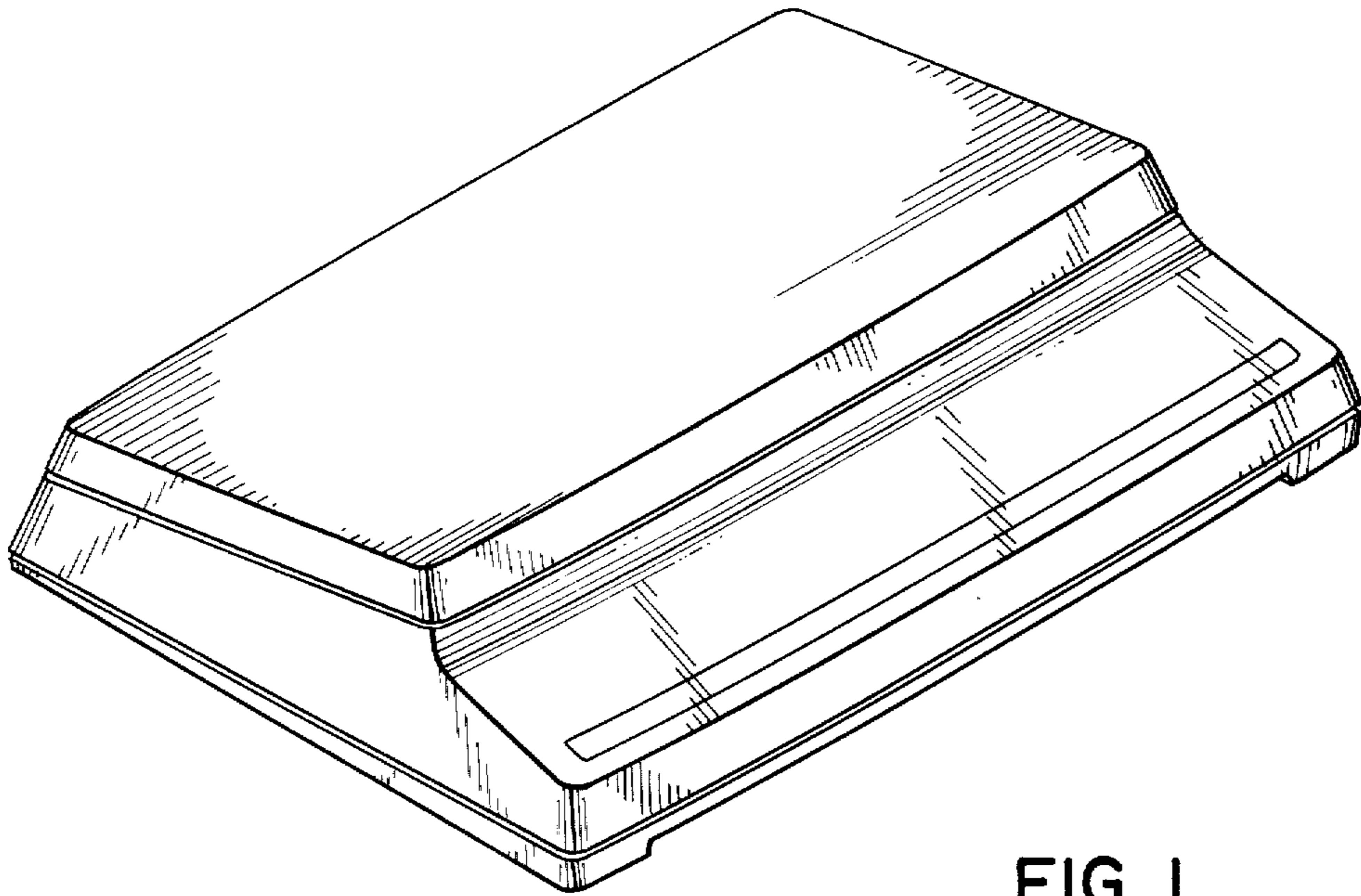


FIG. 1

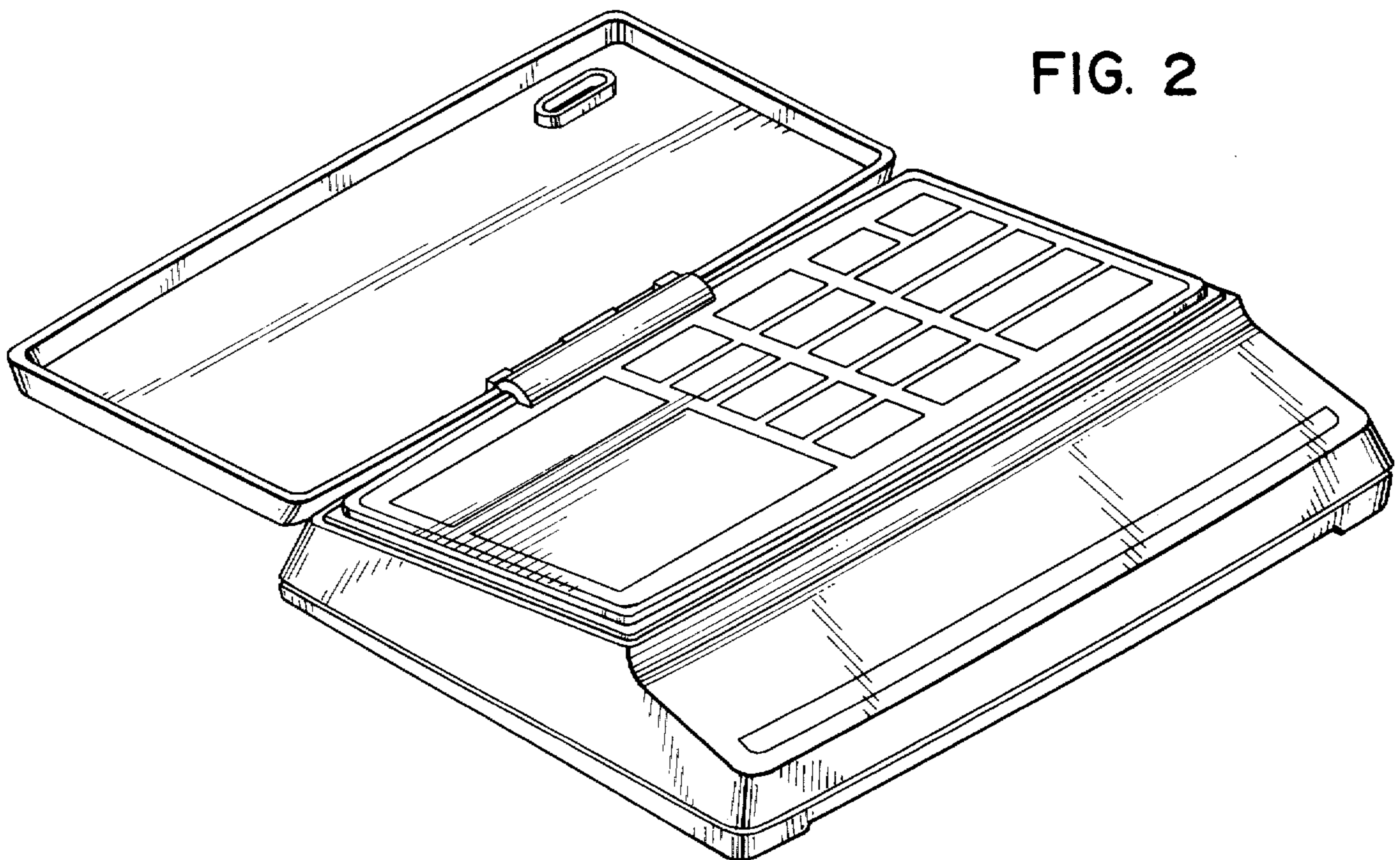


FIG. 2

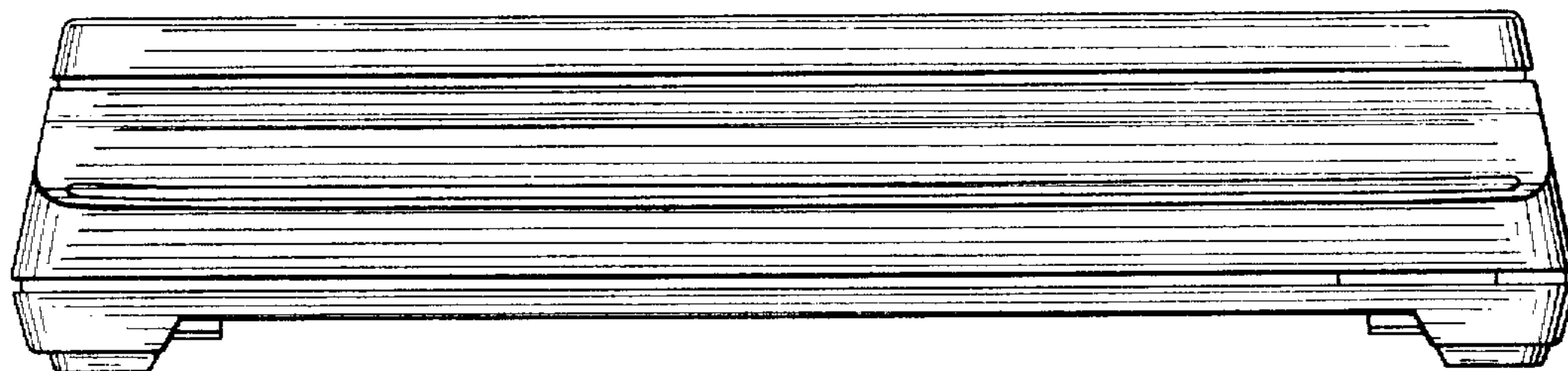


FIG. 3

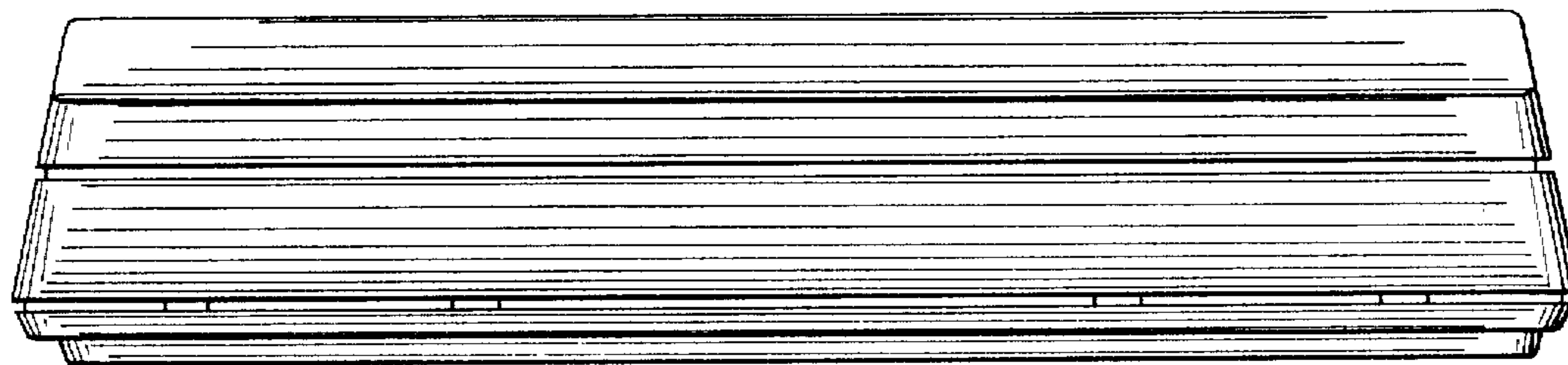


FIG. 4

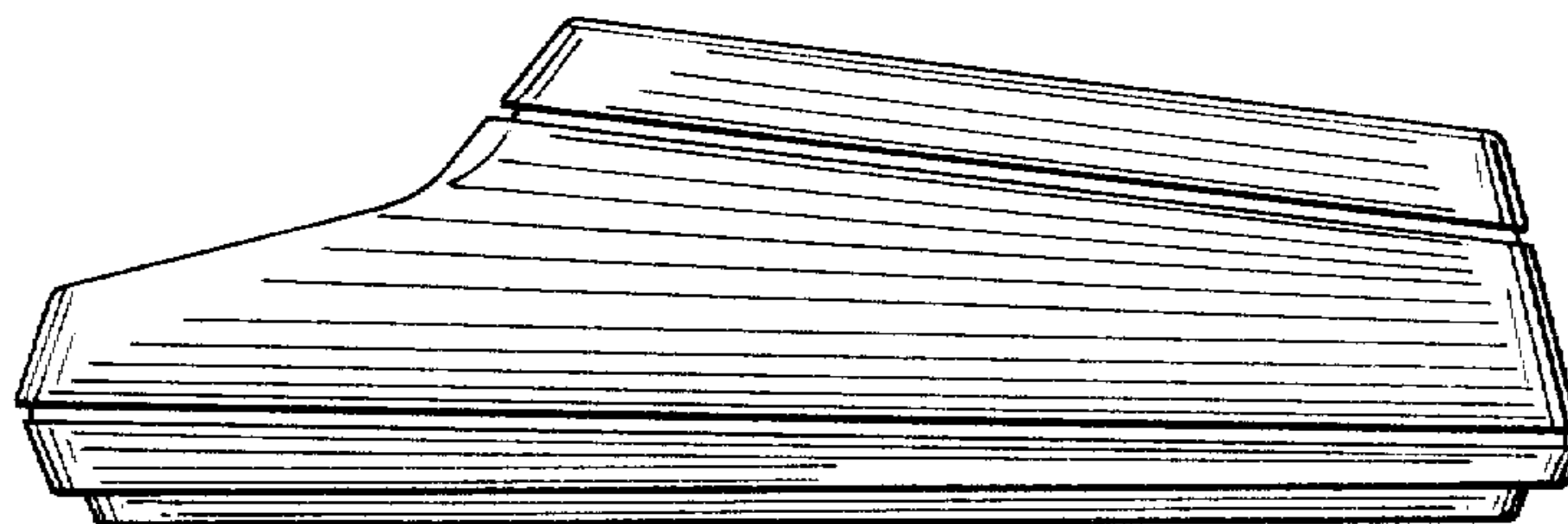


FIG. 5

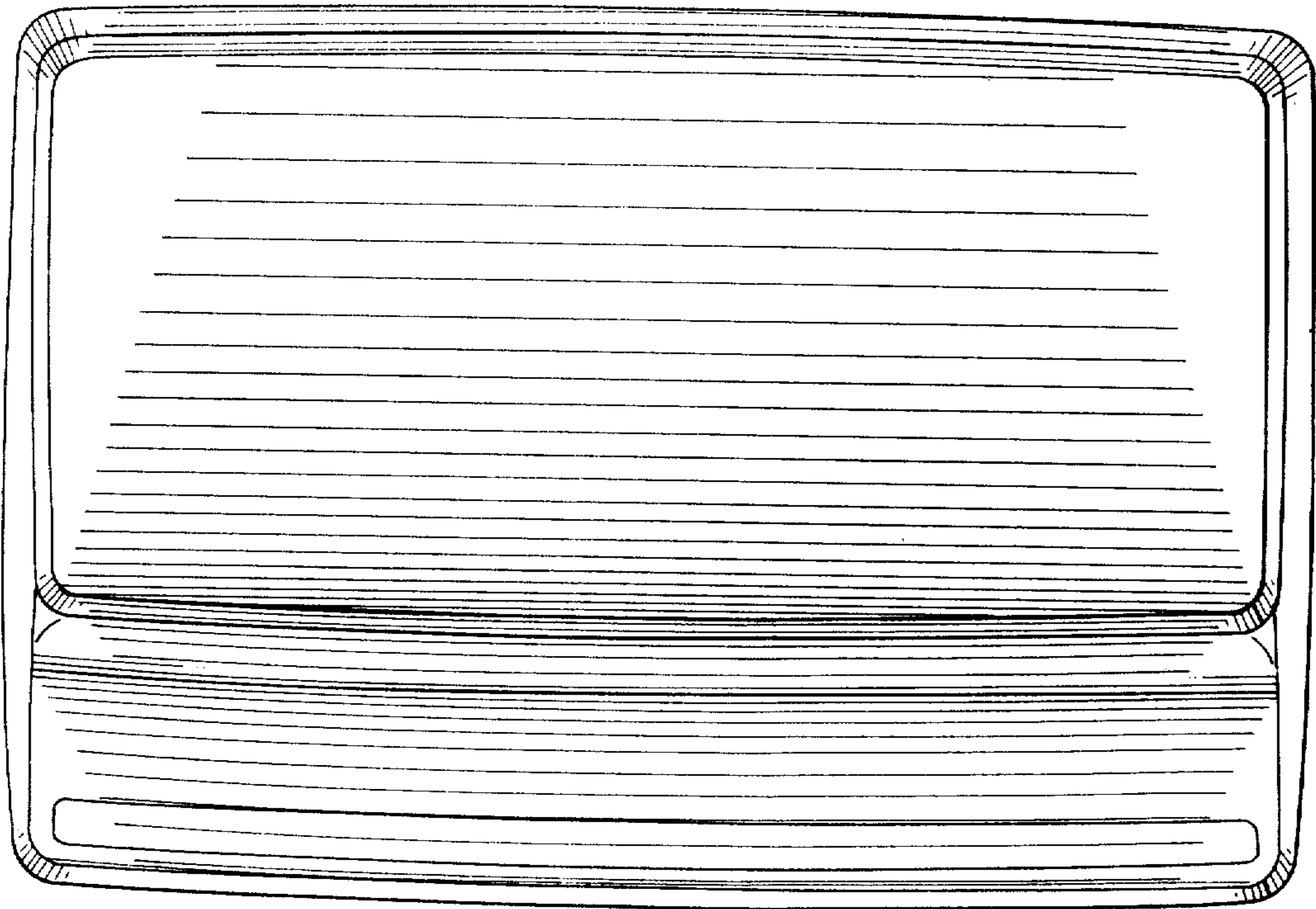


FIG. 6

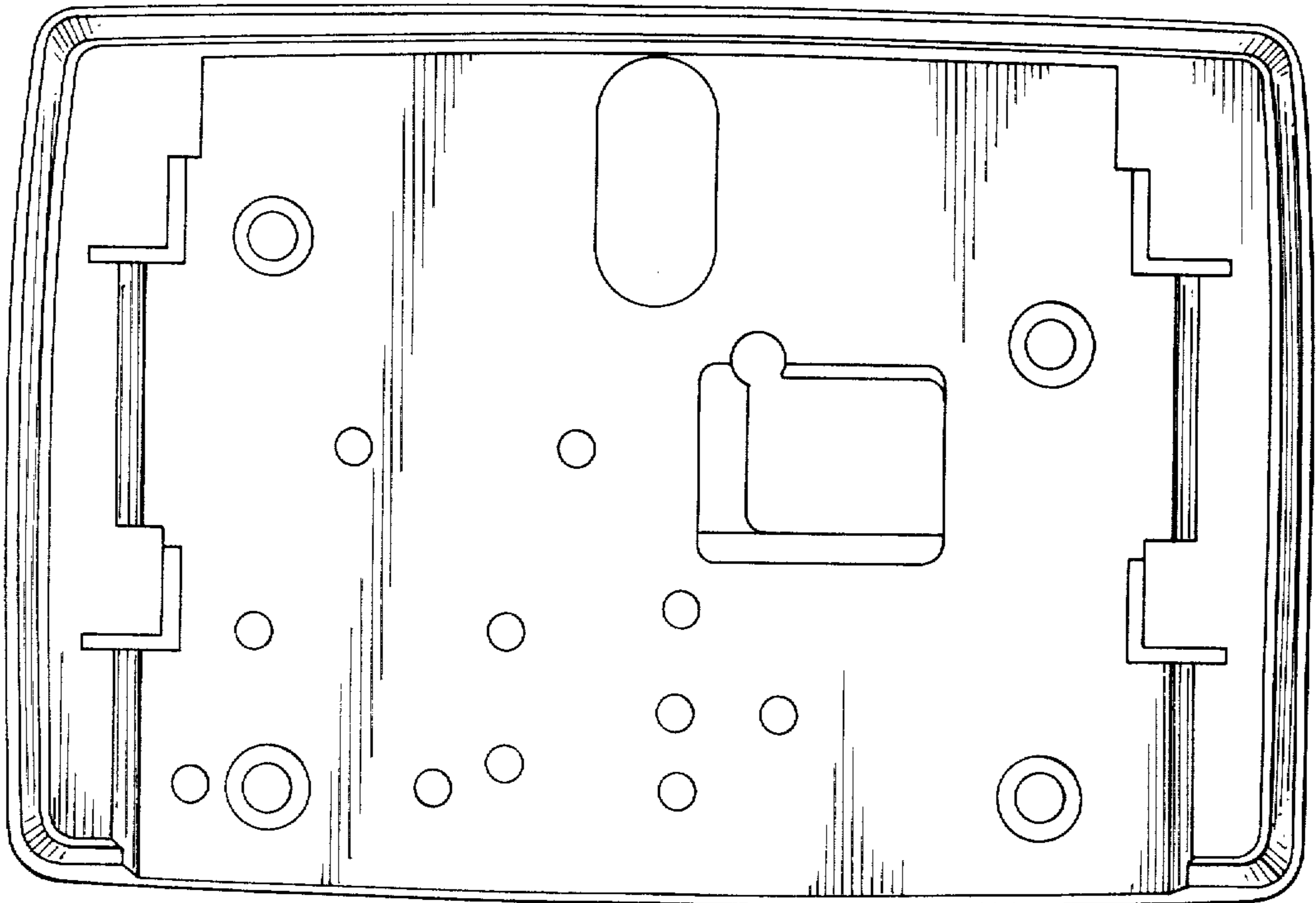


FIG. 7