

[54] WRISTWATCH

[75] Inventor: Susumu Suzuki, Suwa, Japan

[73] Assignee: Kabushiki Kaisha Suwa Seikosa, Tokyo, Japan

[\*\*] Term: 7 Years

[21] Appl. No.: 79,916

[22] Filed: Sep. 28, 1979

[30] Foreign Application Priority Data

Apr. 18, 1979 [JP] Japan ..... 54-15764

[51] Int. Cl. .... D10-02

[52] U.S. Cl. .... D10/38

[58] Field of Search ..... D10/15, 30-39, D10/38; 368/80-82, 239, 241-242, 276, 285

[56] References Cited

U.S. PATENT DOCUMENTS

- D. 237,149 10/1975 Watanabe ..... D10/38
- D. 239,512 4/1976 Tsukui ..... D10/38
- 4,227,777 10/1980 Murakami ..... 368/242 X

OTHER PUBLICATIONS

*Jeweler's Circular-Keystone-7/78-p. 252-Watch at bottom-center.*

*Jeweler's Circular-Keystone-3/79-p. 66-Watch at lower-left.*

*Jeweler's Circular-Keystone-6/79-p. 53-Watches.*

*Jeweler's Circular-Keystone-2/79-p. 294-Watches at top.*

*Primary Examiner-Nelson C. Holtje*

*Attorney, Agent, or Firm-Blum, Kaplan, Friedman, Silberman & Beran*

[57] CLAIM

The ornamental design for a watch, as shown.

DESCRIPTION

FIG. 1 is a top plan view of a wristwatch embodying my new design;

FIG. 2 is a front elevational view thereof in a non-activated condition;

FIG. 3 is a left side view of FIG. 2;

FIG. 4 is a right side elevational view of FIG. 2;

FIG. 5 is a rear elevational view of FIG. 2;

FIG. 6 is a bottom plan view of FIG. 2; and

FIG. 7 is a front elevational view thereof activated to show a typical activated timekeeping condition.

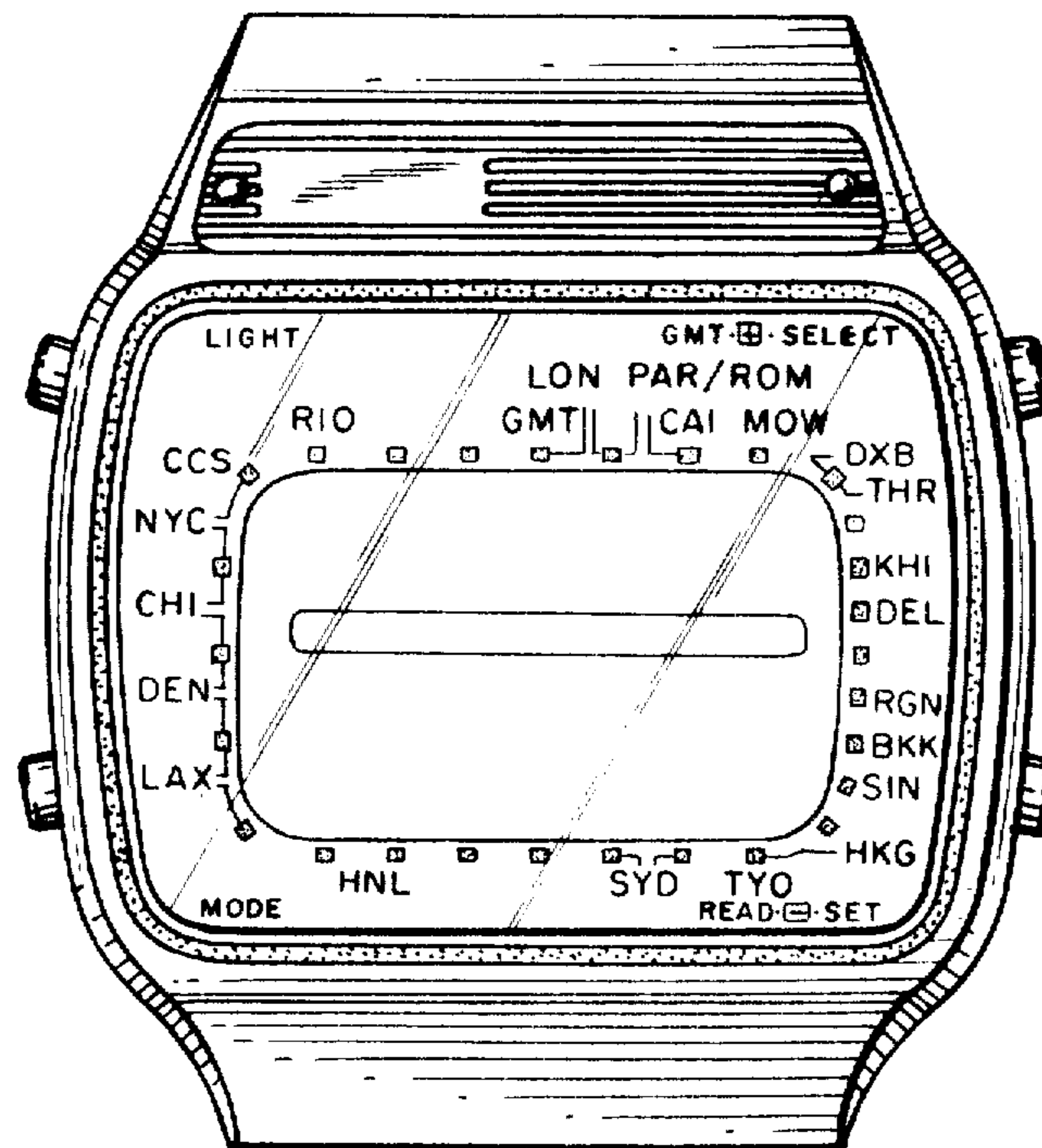


FIG. 1



FIG. 3

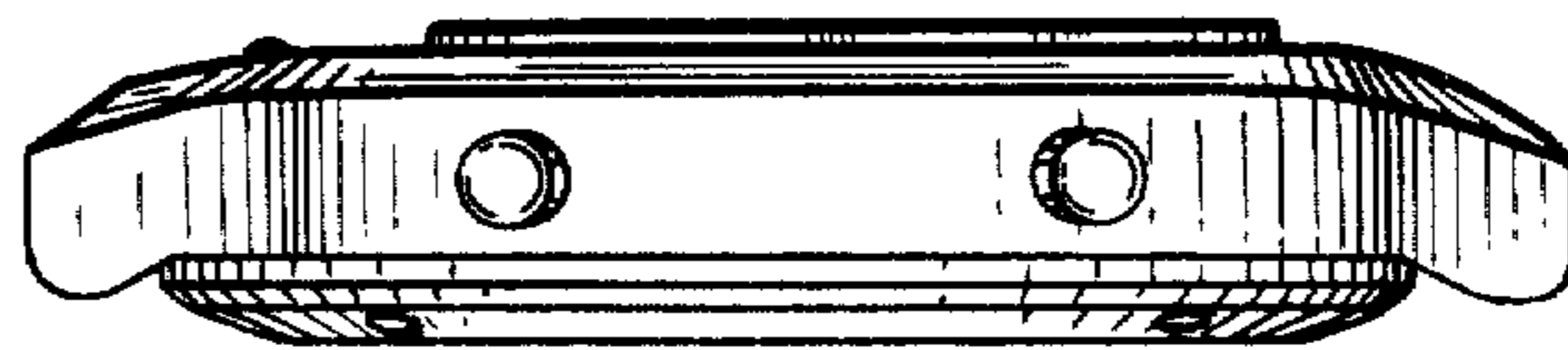


FIG. 2

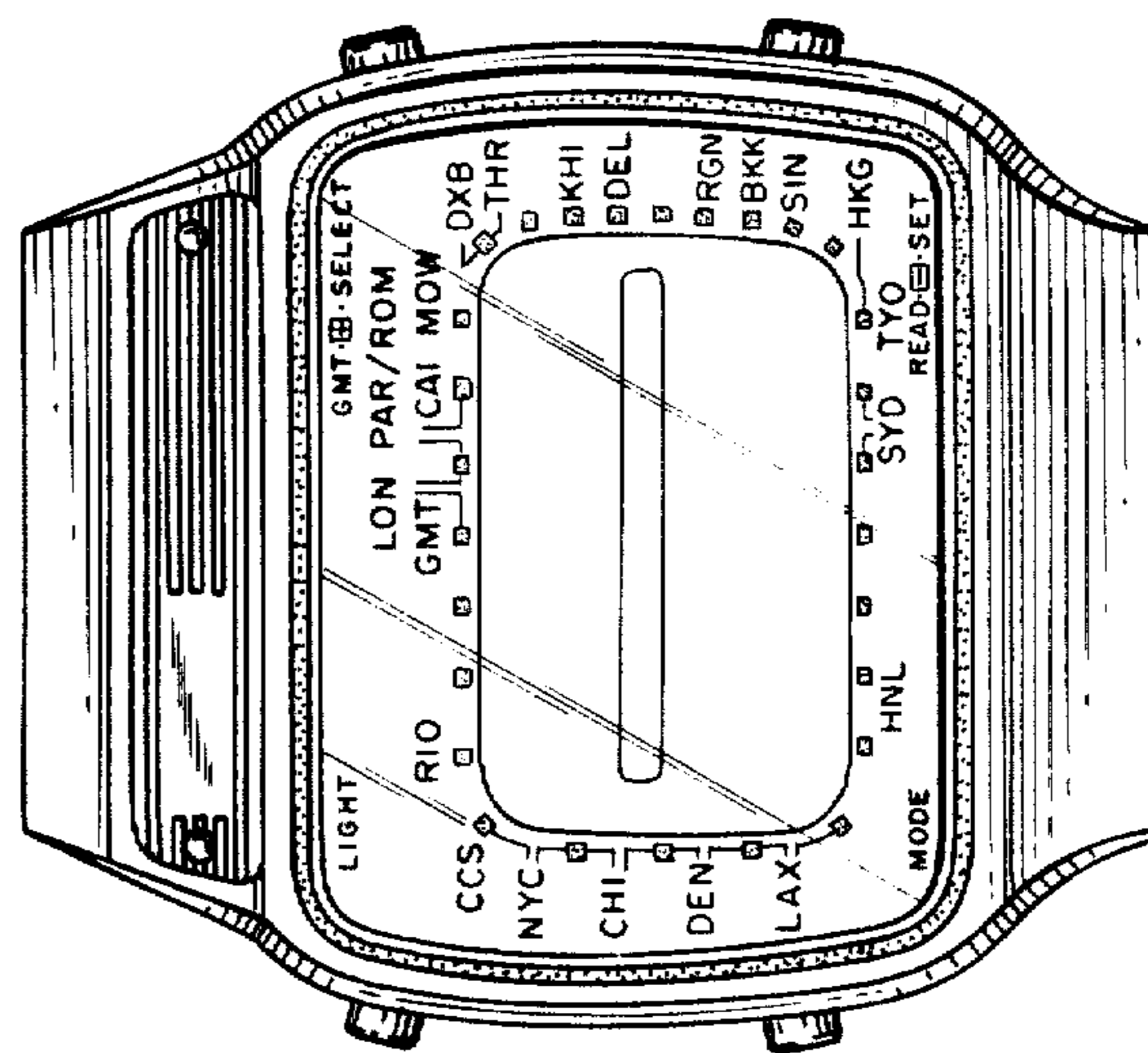


FIG. 4

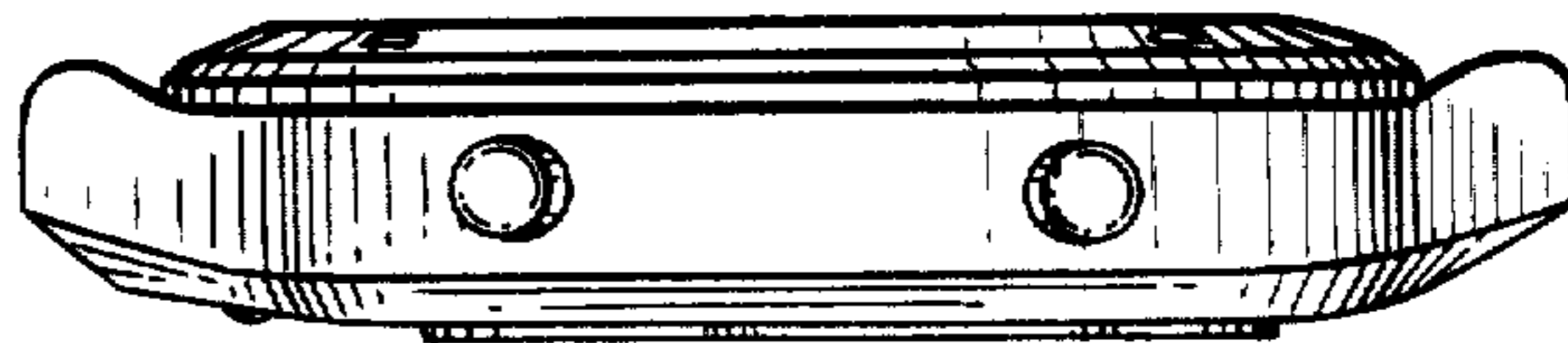


FIG. 5

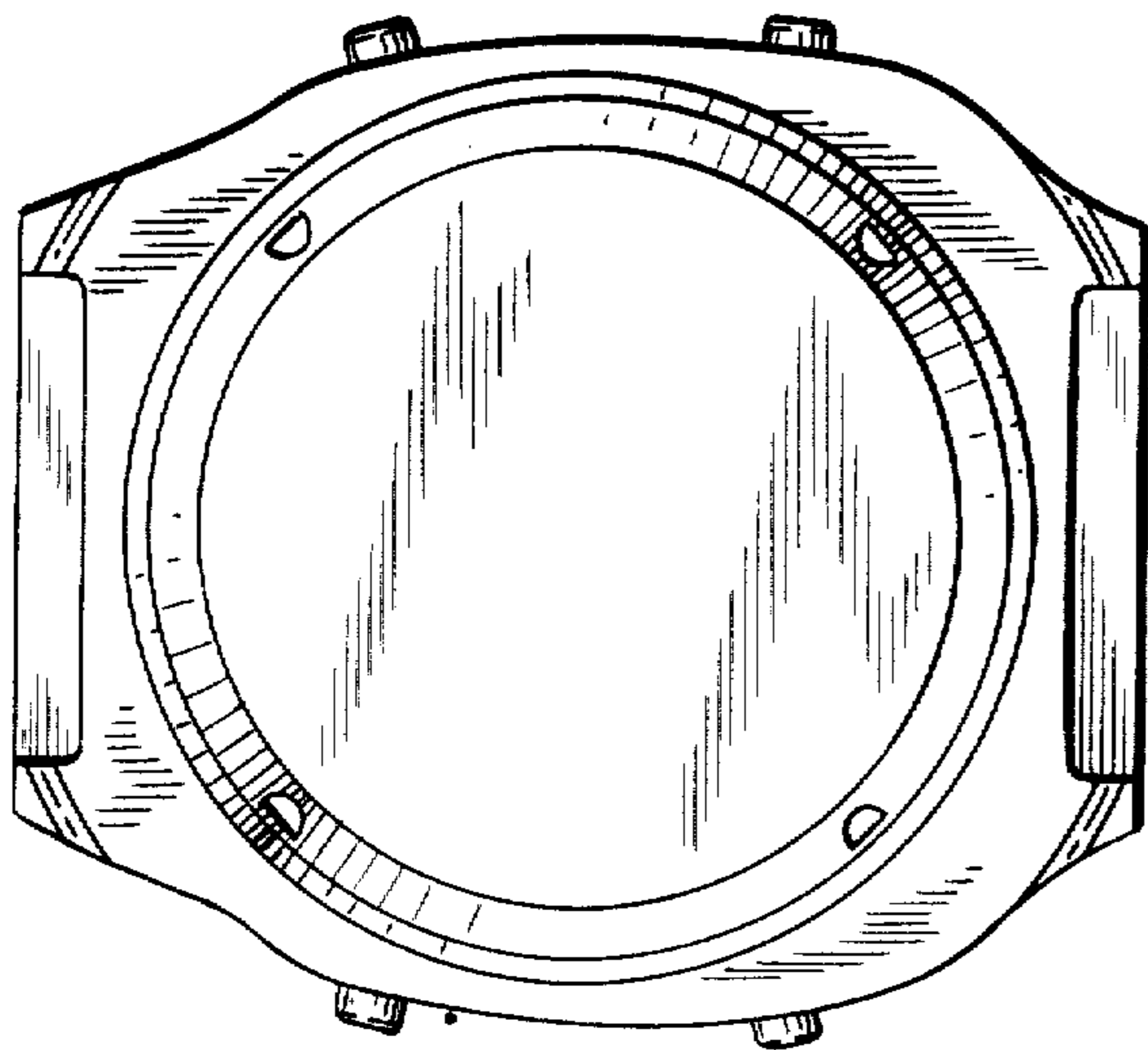


FIG. 7

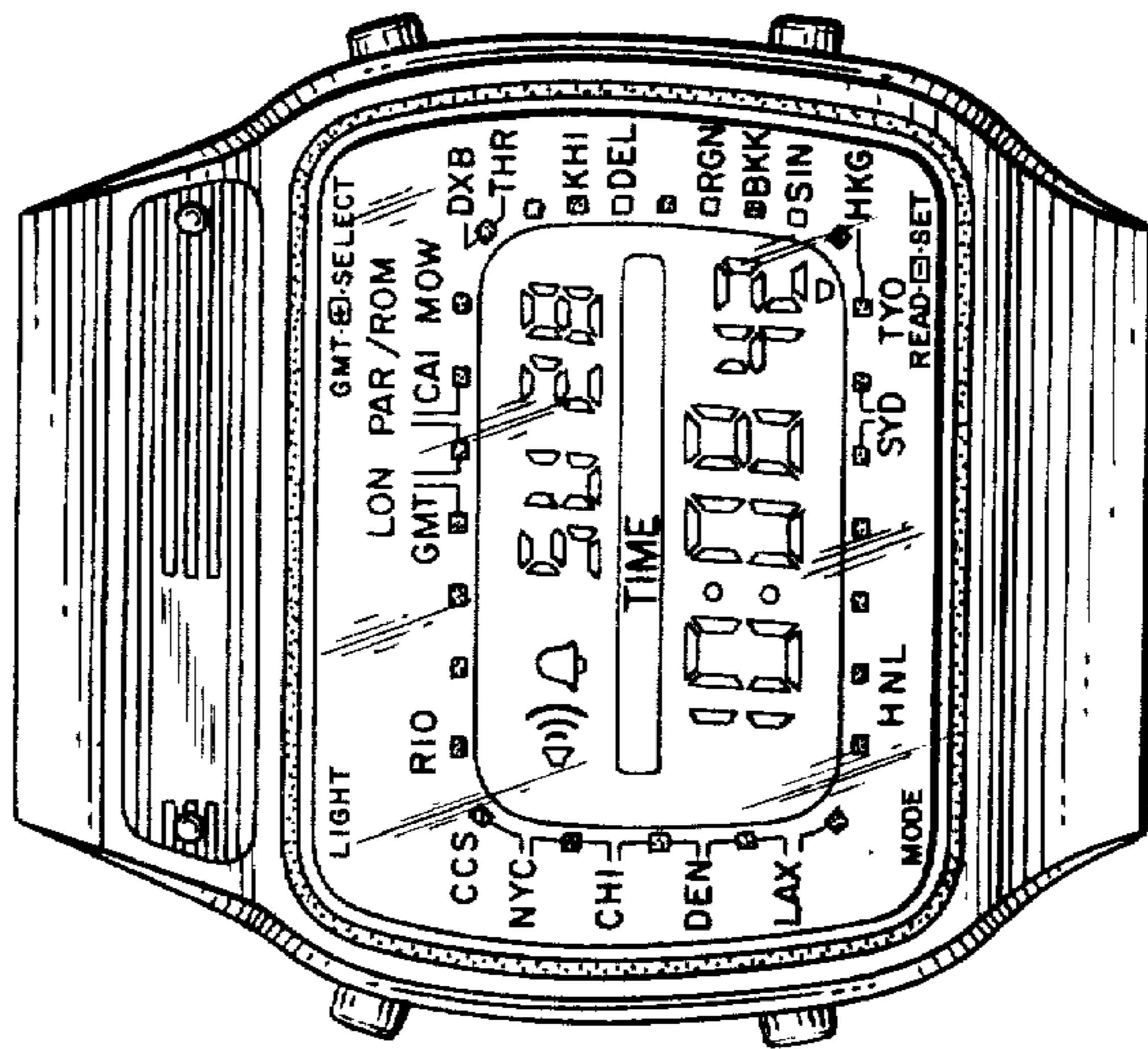


FIG. 6

