

[54] BOTTLE

3,298,575 1/1967 Larsen D9/367

[76] Inventor: Abraham Y. Schultz, 1233 Guelbreth La., St. Louis, Mo. 63141

[**] Term: 14 Years

[21] Appl. No.: 140,108

[22] Filed: Apr. 14, 1980

[51] Int. Cl. D9-01

[52] U.S. Cl. D9/401; D9/413

[58] Field of Search D9/435, 453, 367, 401, D9/403, 413, 431, 432, 337, 338; 24/67, 99

[56] References Cited

U.S. PATENT DOCUMENTS

- D. 87,975 10/1932 Nester D9/413
- D. 244,120 4/1977 Pieper D9/401
- D. 259,173 5/1981 Lauren D9/401

OTHER PUBLICATIONS

McKesson & Robbins, 1937 Catalog p. 22, Dropper Closure at bottom left.
Modern Packaging Encyclopedia, 1948, p. 736, item 47, Dropper Closures.

Primary Examiner—Robert C. Spangler
Attorney, Agent, or Firm—Rogers, Eilers & Howell

[57] CLAIM

The ornamental design for a bottle, as shown and described.

DESCRIPTION

FIG. 1 is a perspective view of a bottle showing my new design;
FIG. 2 is a top plan view on an enlarged scale;
FIG. 3 is an end elevational view thereof; and
FIG. 4 is a side elevational view thereof.

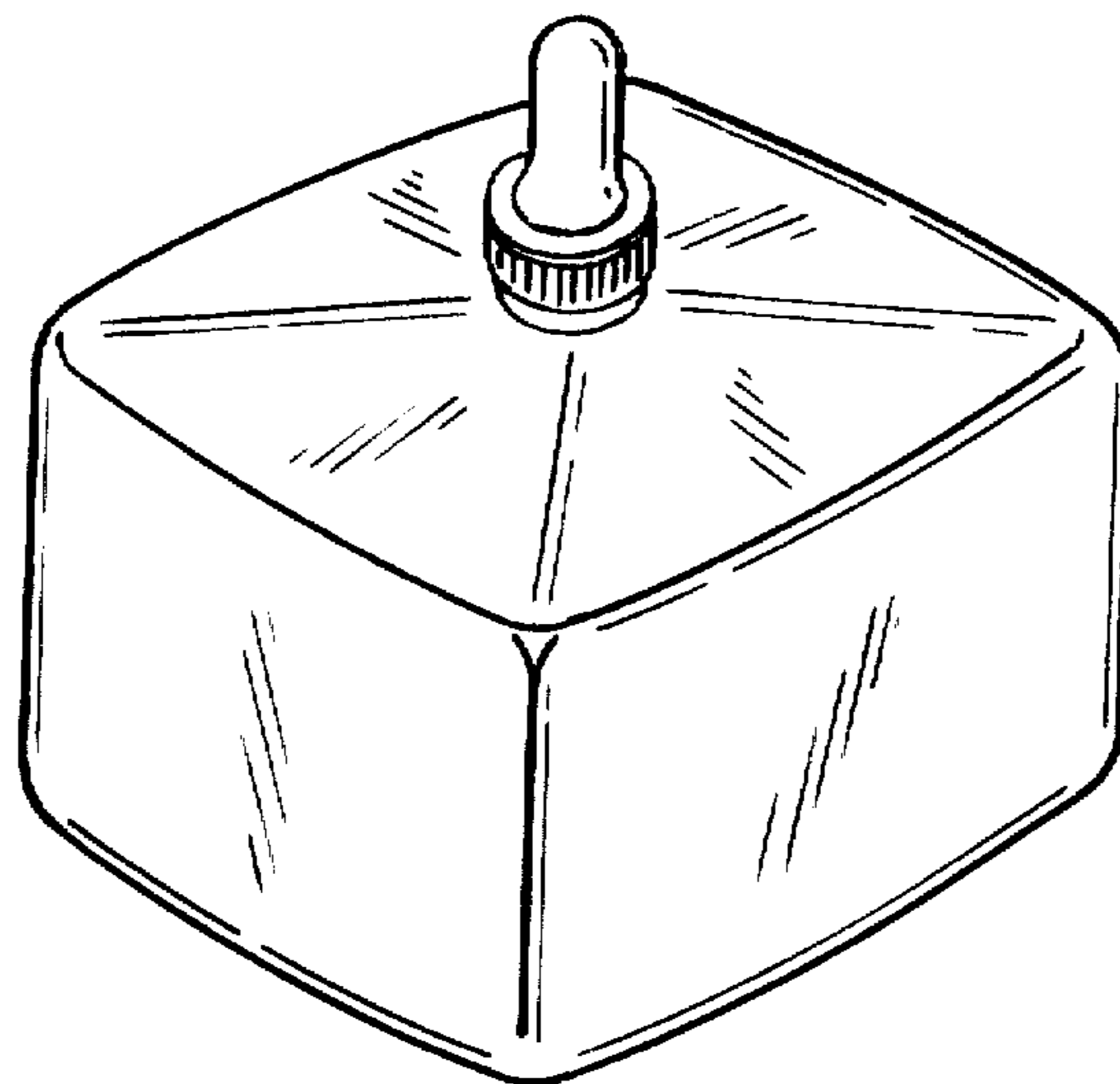


FIG. 1.

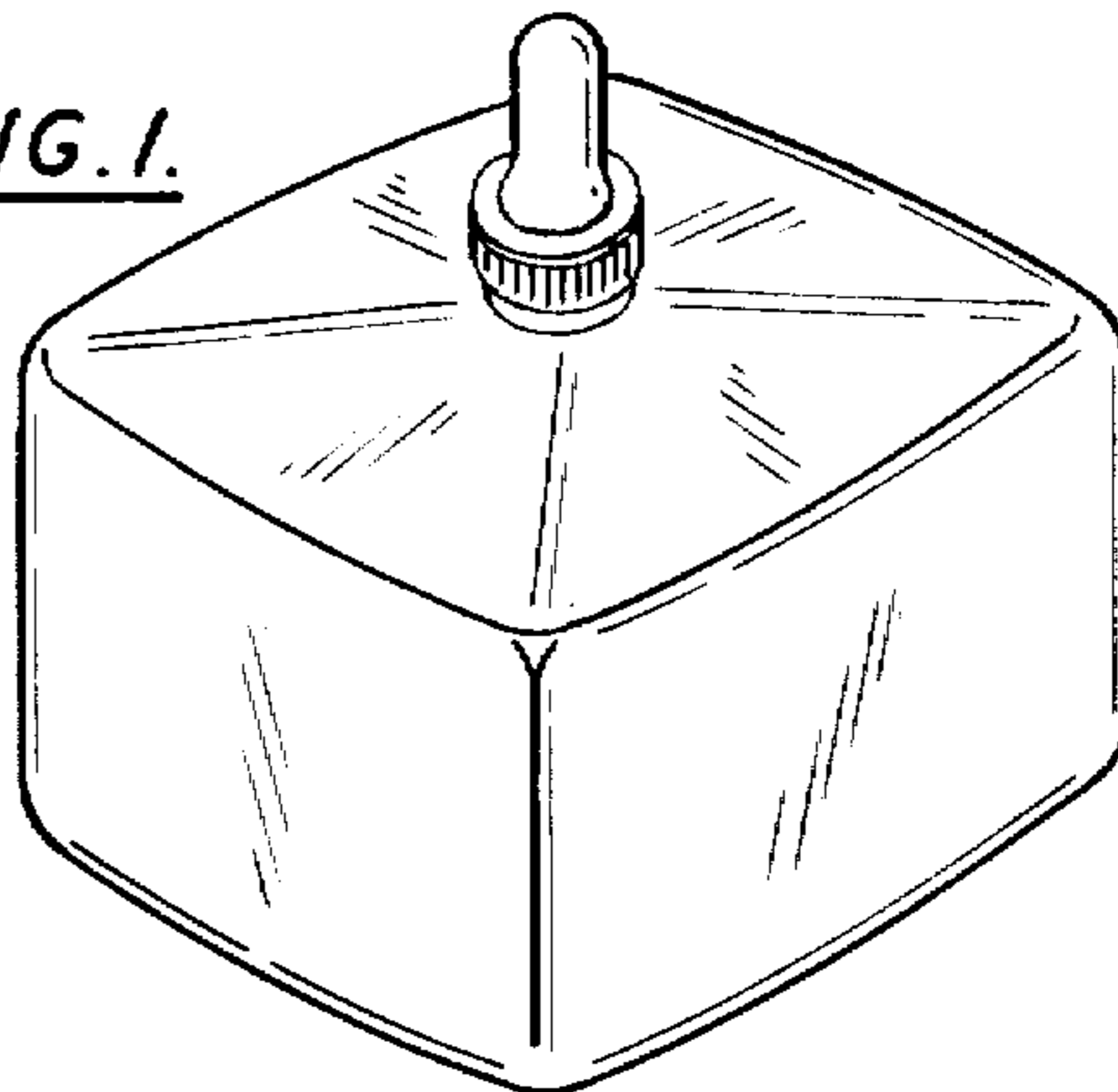


FIG. 2.

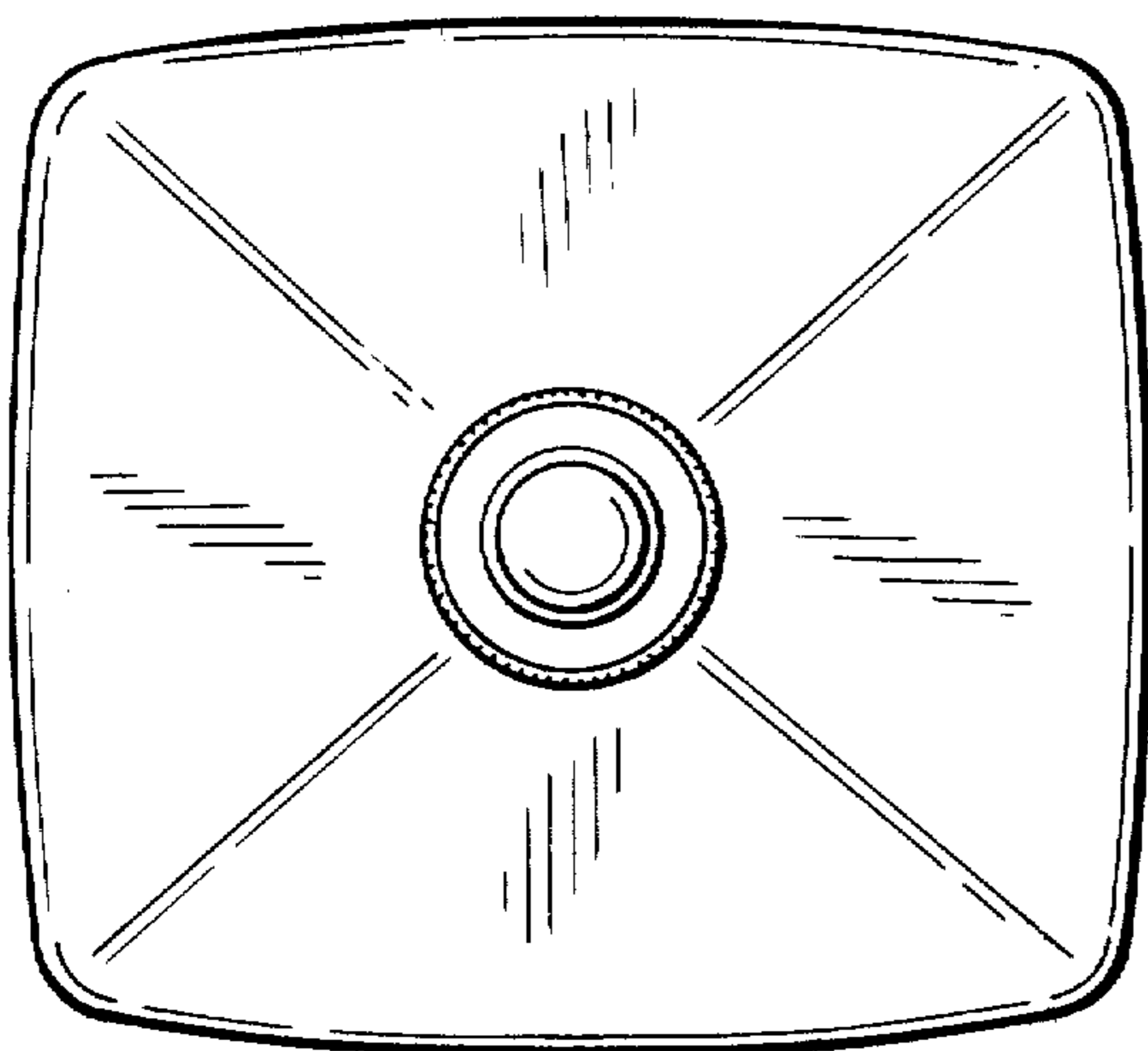


FIG. 4.

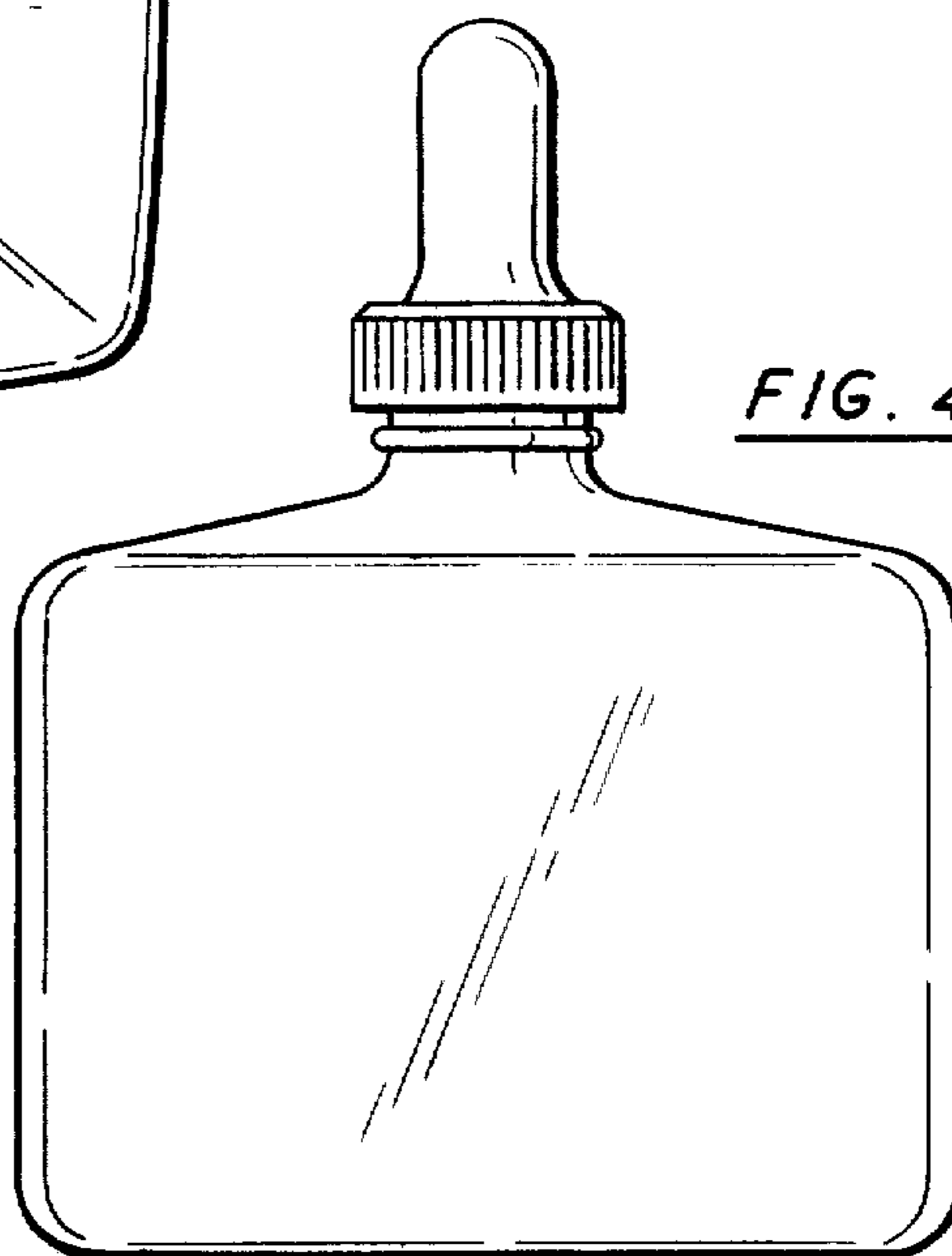


FIG. 3.

