

[54] LIQUID COLLECTION AND STORAGE CONTAINER

967340 10/1974 United Kingdom .
1416096 12/1975 United Kingdom .

[76] Inventor: Richard O. Bartz, 7017 Mark Terrace Dr., Edina, Minn. 55435

OTHER PUBLICATIONS

[**] Term: 14 Years

Motor Trend, "Basic Tools," Dec. 1973, p. 74, bottom right of page, Storage Container.

[21] Appl. No.: 134,707

Better Homes and Gardens, Nov. 1970, p. 40, Drain--Eze Drain Pan.

[22] Filed: Mar. 27, 1980

Oil Drain Pit, brochure, Feb. 1973, Drain Pan.

[51] Int. Cl. D9-07; D12-99

Brookstone Cat. 121 A, Fall 1975, p. 13, Oil Drain Pan.

[52] U.S. Cl. D9/337; D9/364;

Minneapolis Tribune, Sunday, Sep. 5, 1976, Home Section, p. 10F, Sears Ad., Oil Drainer.

D9/374; D9/378; D12/155

Mechanix Illustrated, Nov. 1976, p. 142, Oil Catcher.

[58] Field of Search 141/1; 220/1C; D9/364, D9/374, 337, 378; D12/25, 155; 184/1.5

Primary Examiner—Bernard Ansher

Attorney, Agent, or Firm—Burd, Bartz & Gutenkauf

[56] References Cited

[57] CLAIM

U.S. PATENT DOCUMENTS

The ornamental design for a liquid collection and storage container, substantially as shown and described.

Re. 27,449	8/1972	Bartz	141/1
D. 220,470	4/1971	Lewis	D9/337
D. 248,845	8/1978	White et al.	D12/25
3,410,438	11/1968	Bartz	D9/378 X
4,010,863	3/1977	Ebel	220/1 C
4,054,184	10/1977	Marcinko	184/1.5
4,114,644	9/1978	Piper	220/1 C X
4,114,660	9/1978	Arruda	141/98

DESCRIPTION

FOREIGN PATENT DOCUMENTS

686	12/1970	Belgium .
39736	10/1975	Canada .
MR2737	10/1973	Fed. Rep. of Germany .
72993	6/1974	France .
962768	6/1974	United Kingdom .

FIG. 1 is a perspective view of the liquid collection and storage container of my new design, as viewed from the top side thereof;

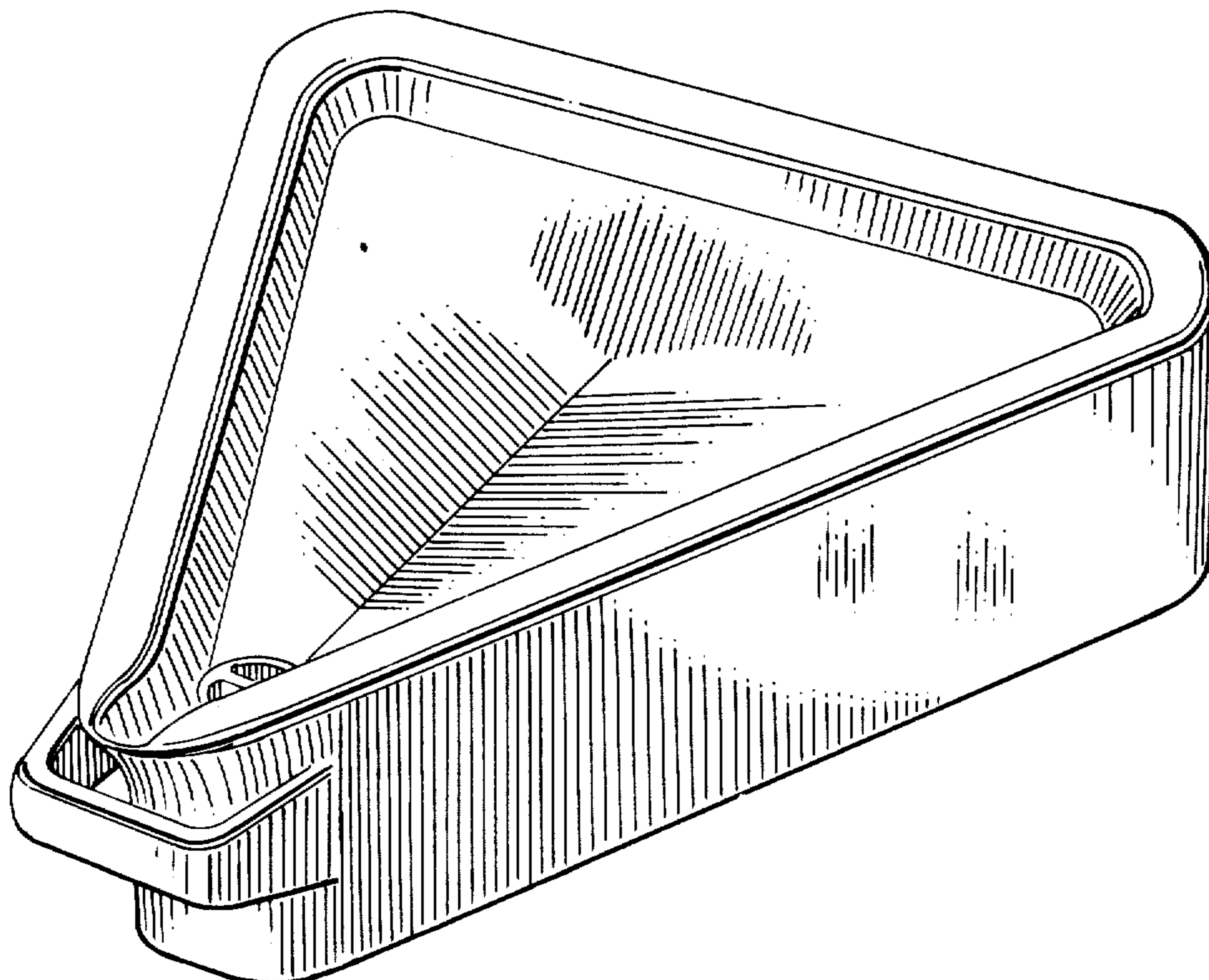
FIG. 2 is a top plan view of the liquid collection and storage container of FIG. 1;

FIG. 3 is a bottom plan view of FIG. 2;

FIG. 4 is a side elevational view of the right side of FIG. 2, the left side being a mirror image thereof;

FIG. 5 is an elevational view of the bottom end of FIG. 2; and

FIG. 6 is an elevational view of the top end of FIG. 2.



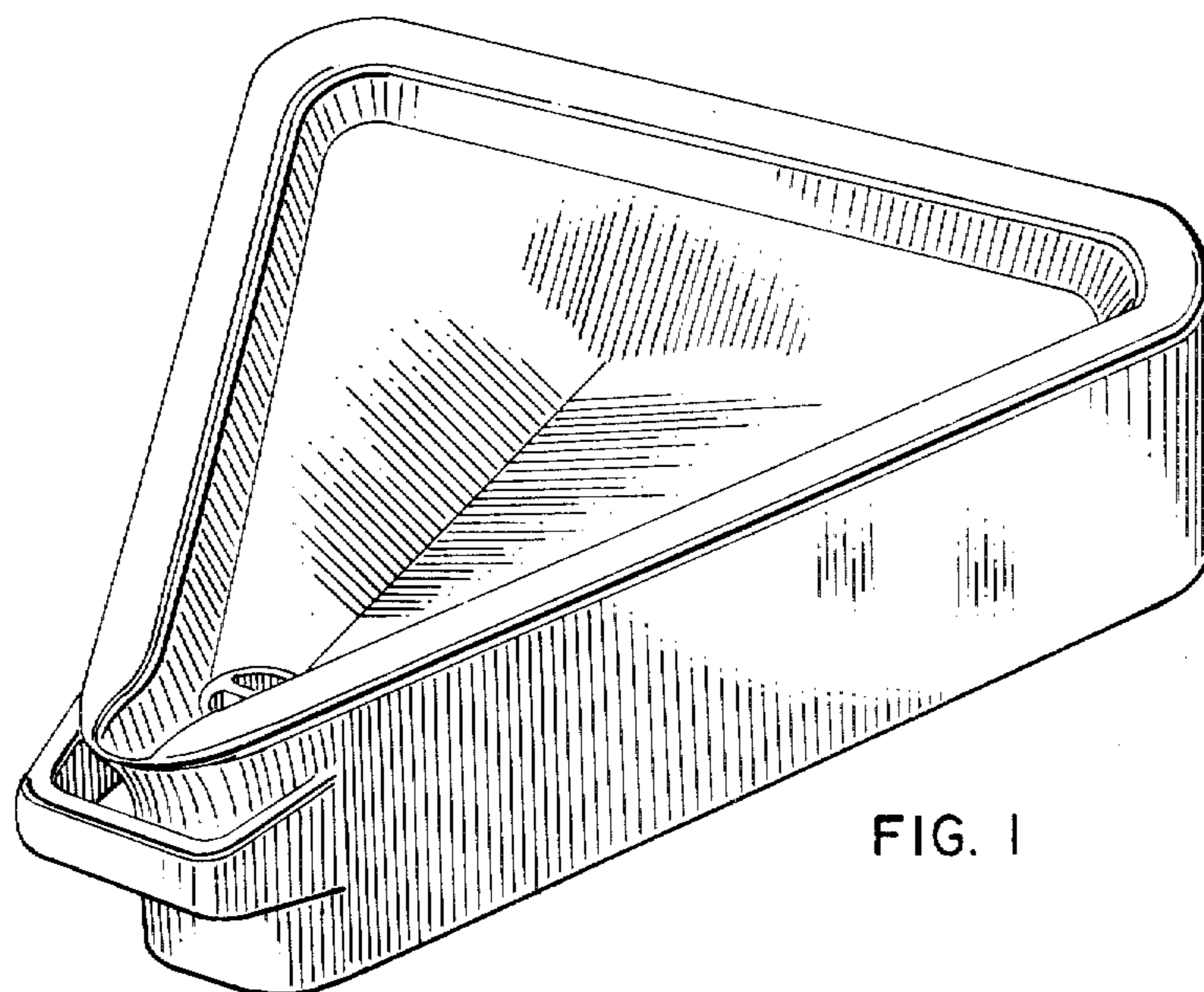


FIG. 1

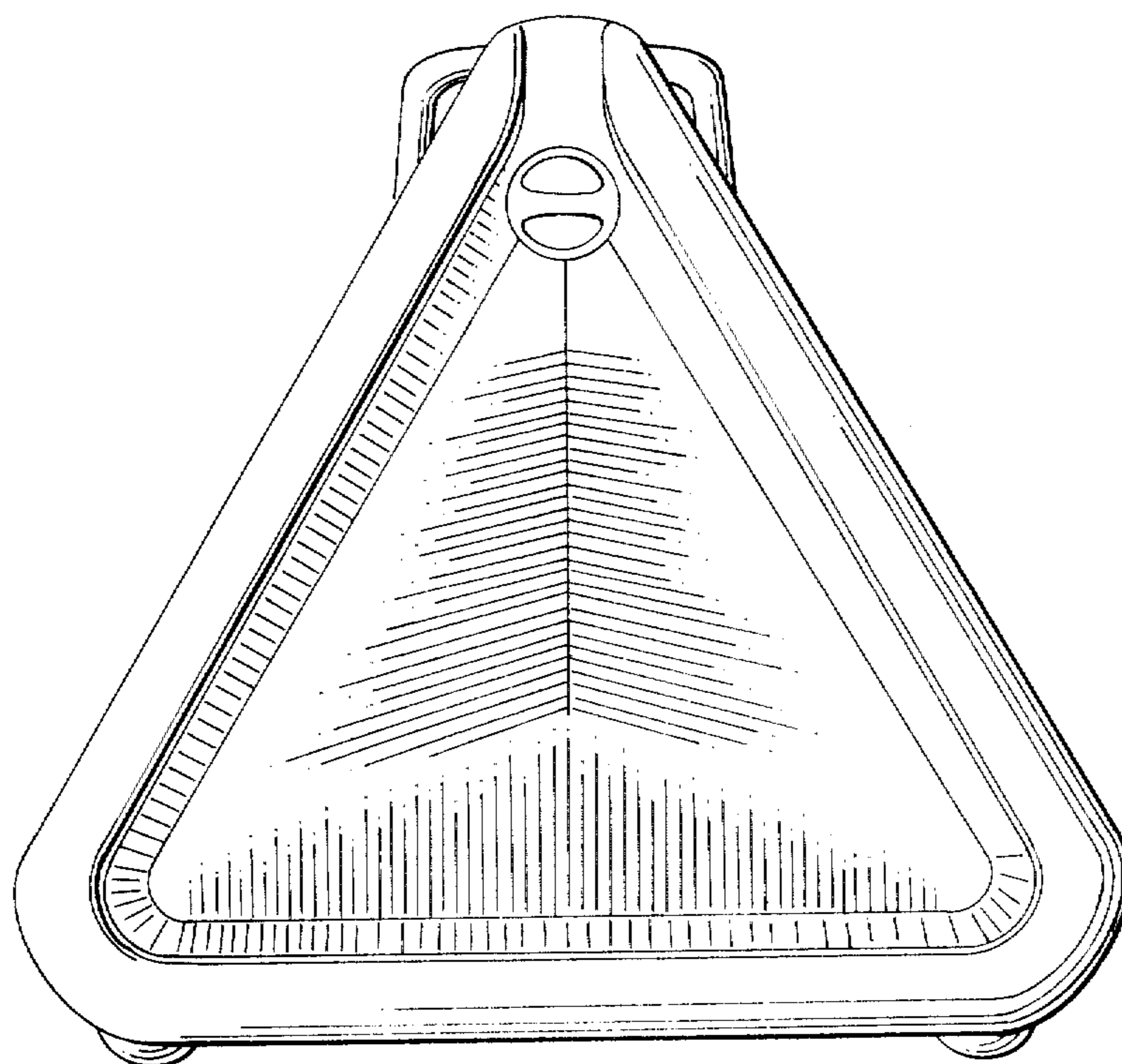


FIG. 2

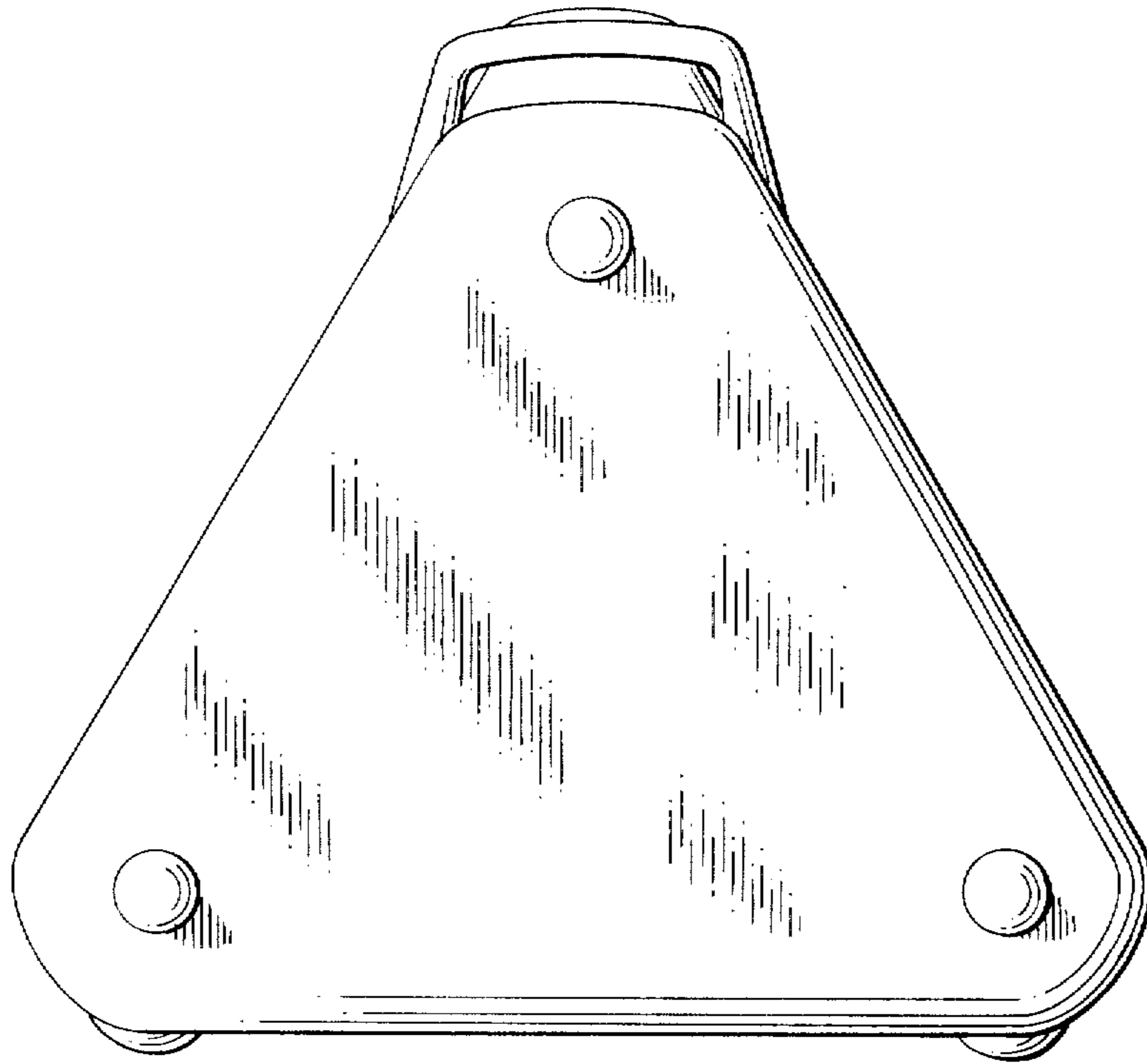


FIG. 3

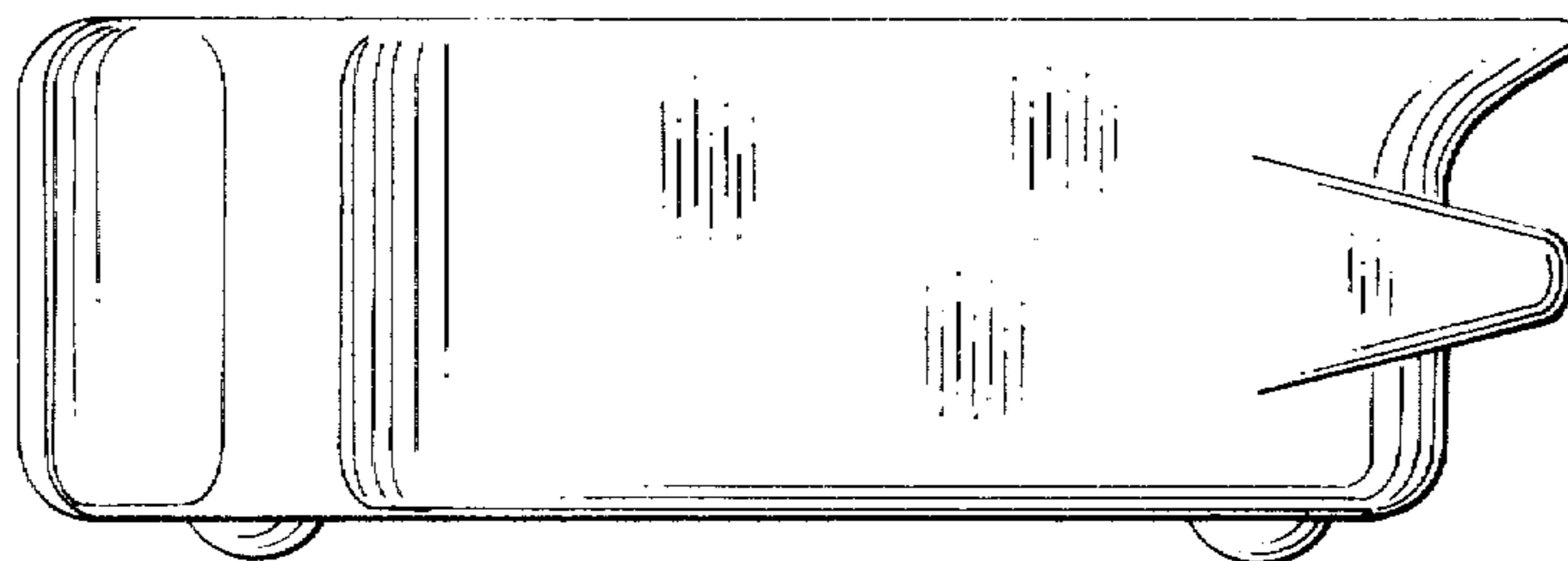


FIG. 4

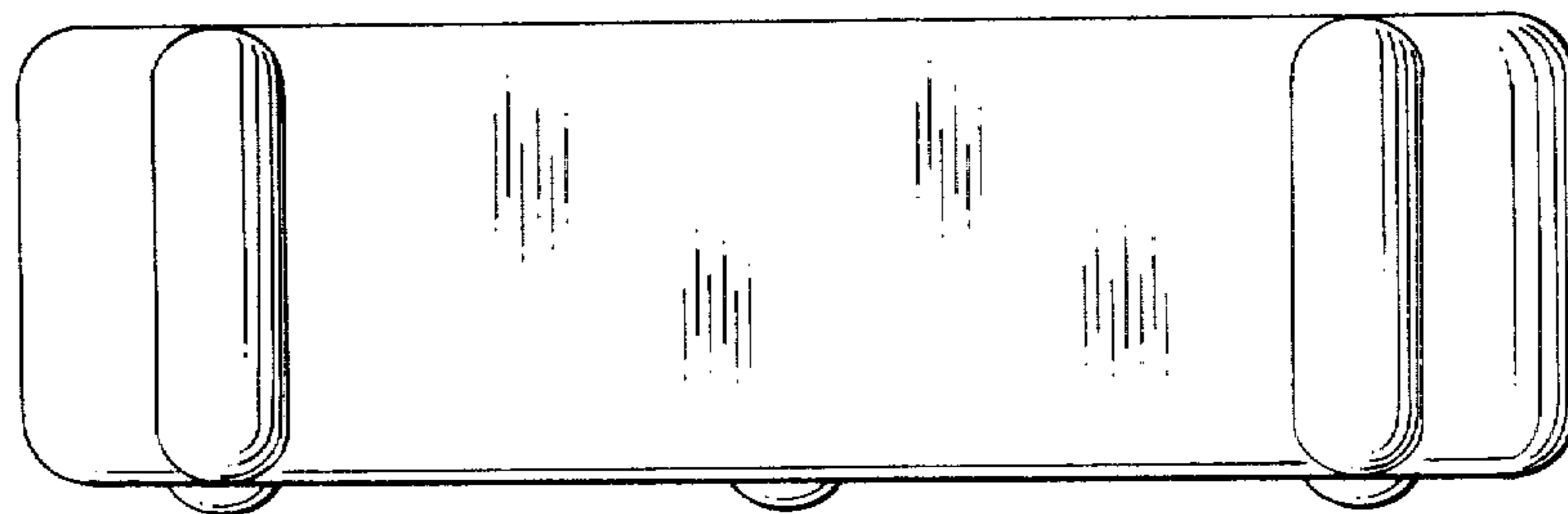


FIG. 5

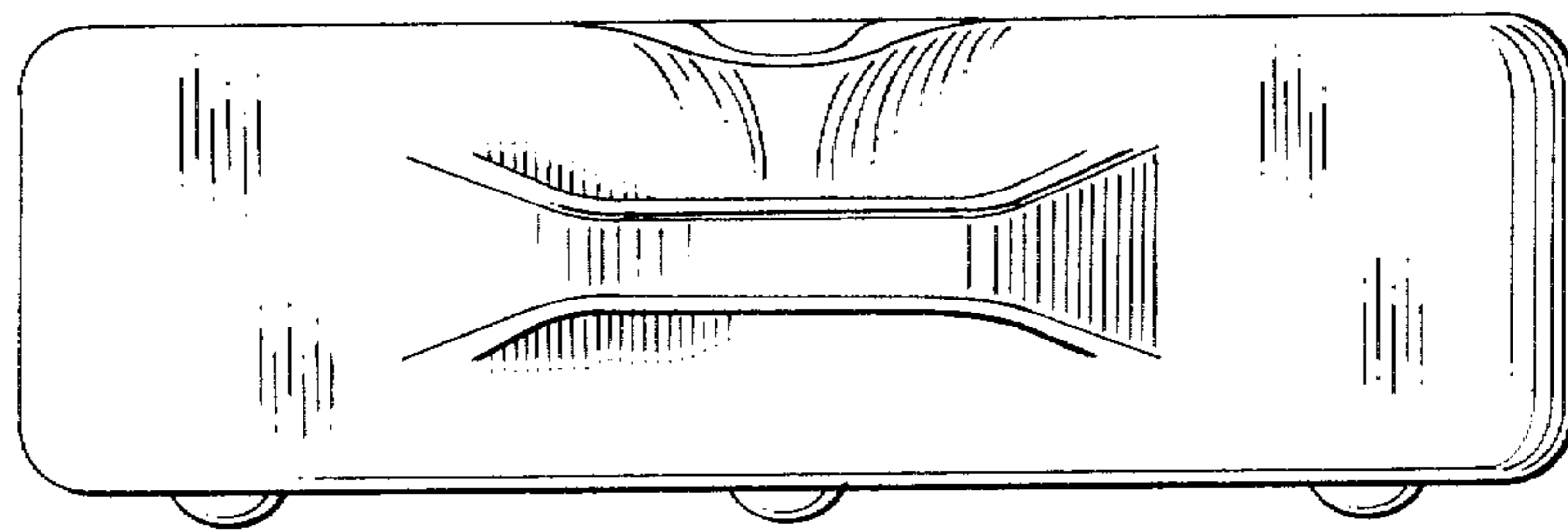


FIG. 6