

[54] **COUPLING**

[75] Inventor: **Bengt Magner, Mellösa, Sweden**  
[73] Assignee: **Opto-System AB, Mellösa, Sweden**  
[\*\*] Term: **14 Years**  
[21] Appl. No.: **80,778**  
[22] Filed: **Sep. 28, 1979**

[30] **Foreign Application Priority Data**

Mar. 30, 1979 [SE] Sweden ..... 790820

[51] Int. Cl. .... **D8-08**  
[52] U.S. Cl. .... **D8/382**  
[58] Field of Search ..... D8/382, 394, 354, 396;  
403/310, 312, 313, 279; 24/243 B, 243 K;  
D23/42, 43

[56] **References Cited**

**U.S. PATENT DOCUMENTS**

D. 230,826	3/1974	Menshen	.....	D8/396
D. 248,447	7/1978	Hornung	.....	D8/354
D. 249,459	9/1978	Halliwell	.....	D8/354
1,266,441	5/1918	Finkelstein	.....	403/313
3,079,186	2/1963	Williams	.....	403/274

**FOREIGN PATENT DOCUMENTS**

618914 9/1935 Fed. Rep. of Germany ..... 403/313

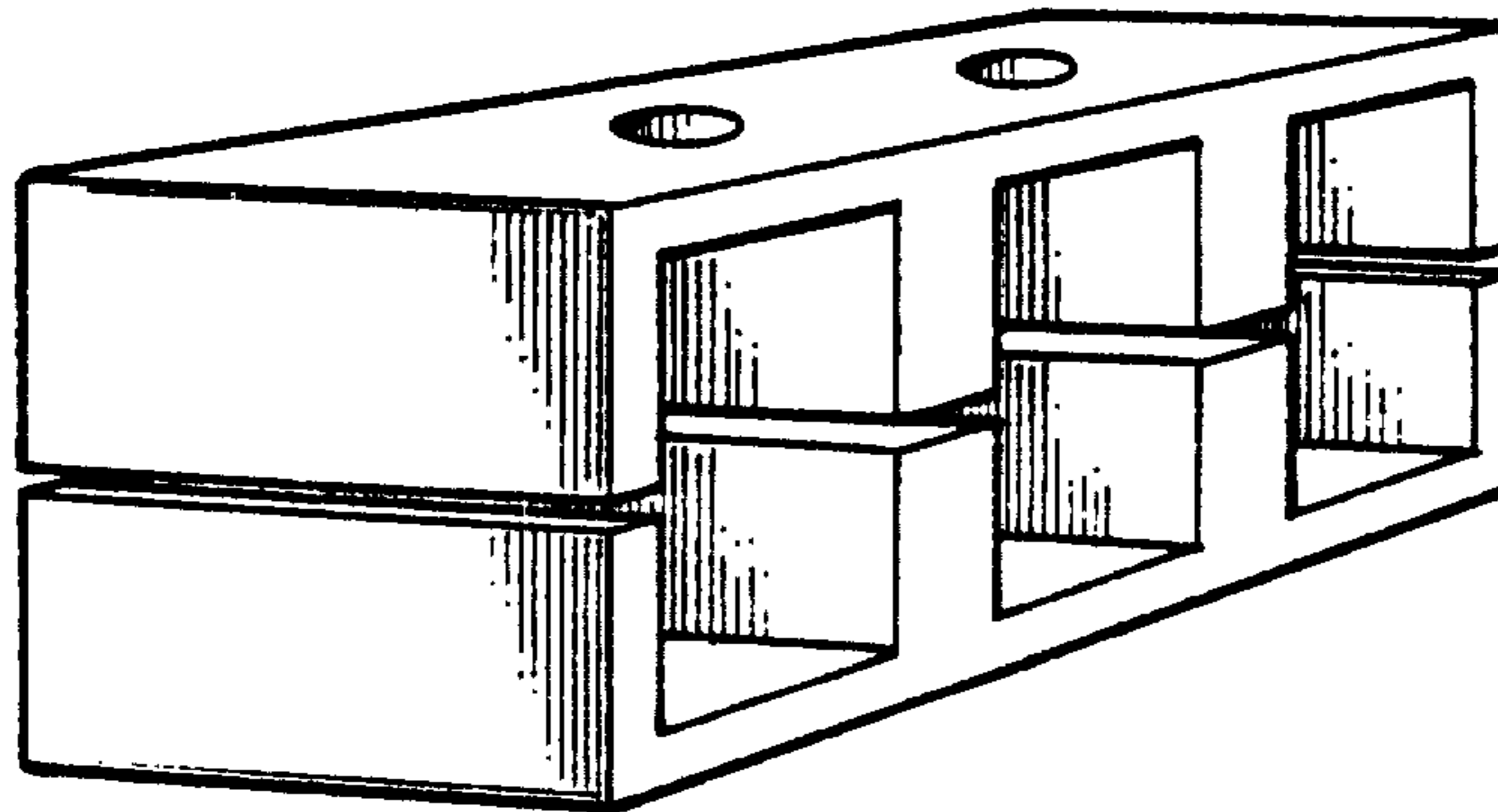
*Primary Examiner*—B. J. Bullock  
*Attorney, Agent, or Firm*—Browdy and Neimark

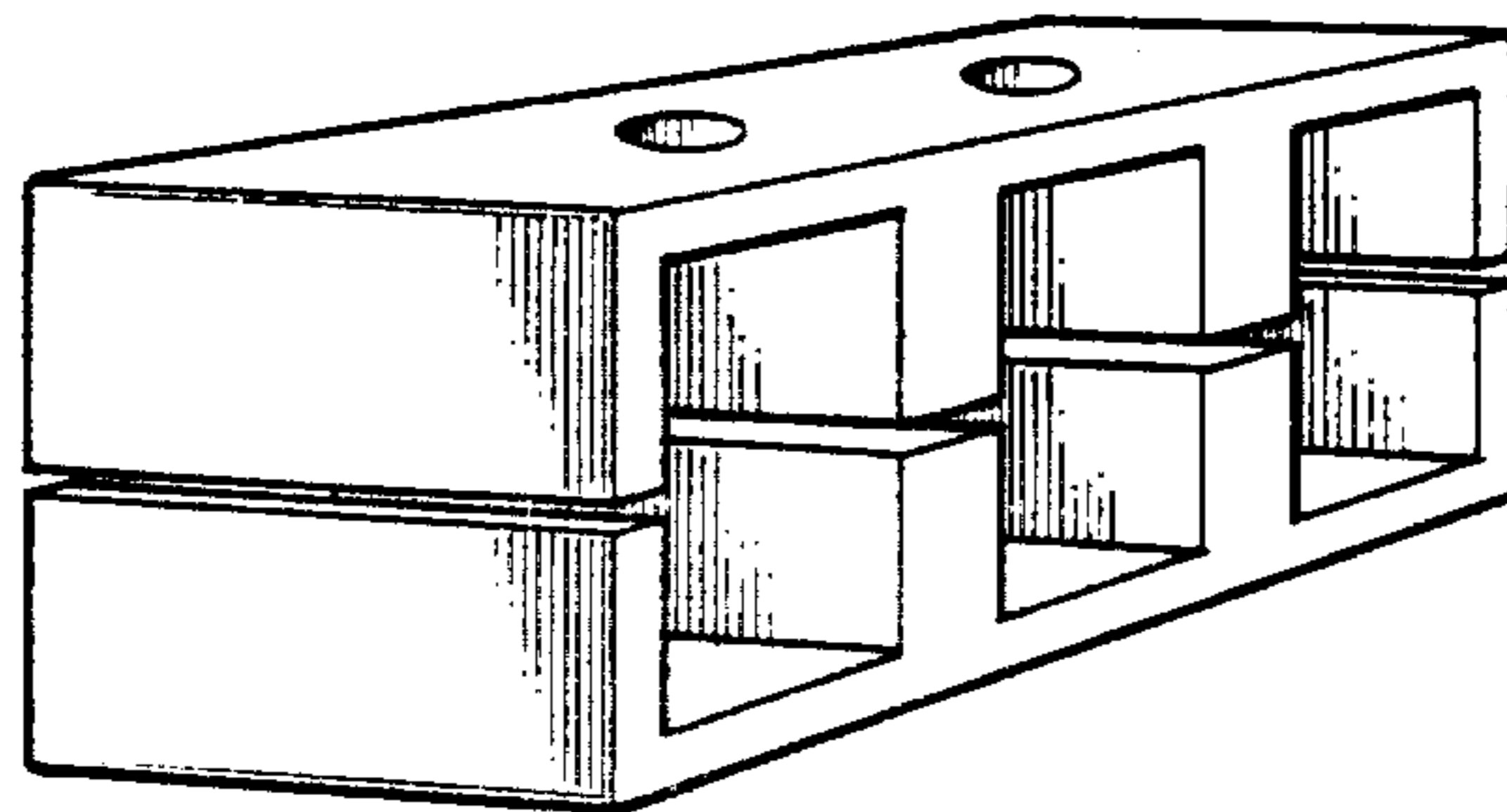
[57] **CLAIM**

The ornamental design for a coupling, as shown and described.

**DESCRIPTION**

FIG. 1 is a top, front perspective view of a coupling showing my new design;  
FIG. 2 is a bottom, rear perspective view thereof.





*Fig. 1*

*Fig. 2*

