

[54] POWERED IMPLEMENT HANDLE

[75] Inventors: Wilbur Hampel, Spring Park, Minn.; Robert W. Johnson, Westport, Conn.; Douglas W. Smith, Oakland, N.J.; Eugene J. Casey, Jr., Rowayton, Conn.

[73] Assignee: The Toro Company, Minneapolis, Minn.

[**] Term: 14 Years

[21] Appl. No.: 112,534

[22] Filed: Jan. 16, 1980

[51] Int. Cl. D8-03

[52] U.S. Cl. D8/8; D15/11; D15/12

[58] Field of Search D15/11, 12; D8/1, 8, D8/94-99; 30/276, DIG. 1, DIG. 5; 56/12.7, 233, 17.4; D7/139, 158, 159

[56] References Cited

U.S. PATENT DOCUMENTS

D. 233,820	12/1974	Bartasevich et al.	D8/8
D. 234,018	12/1974	De Brey	D8/8
D. 234,289	11/1975	Haynes	D8/8
D. 248,654	7/1978	Ruhl	D15/12
D. 255,764	7/1980	Lombard	D15/12 X
3,831,278	8/1974	Voglesanger	30/276
4,089,114	5/1978	Doolittle et al.	30/DIG. 1

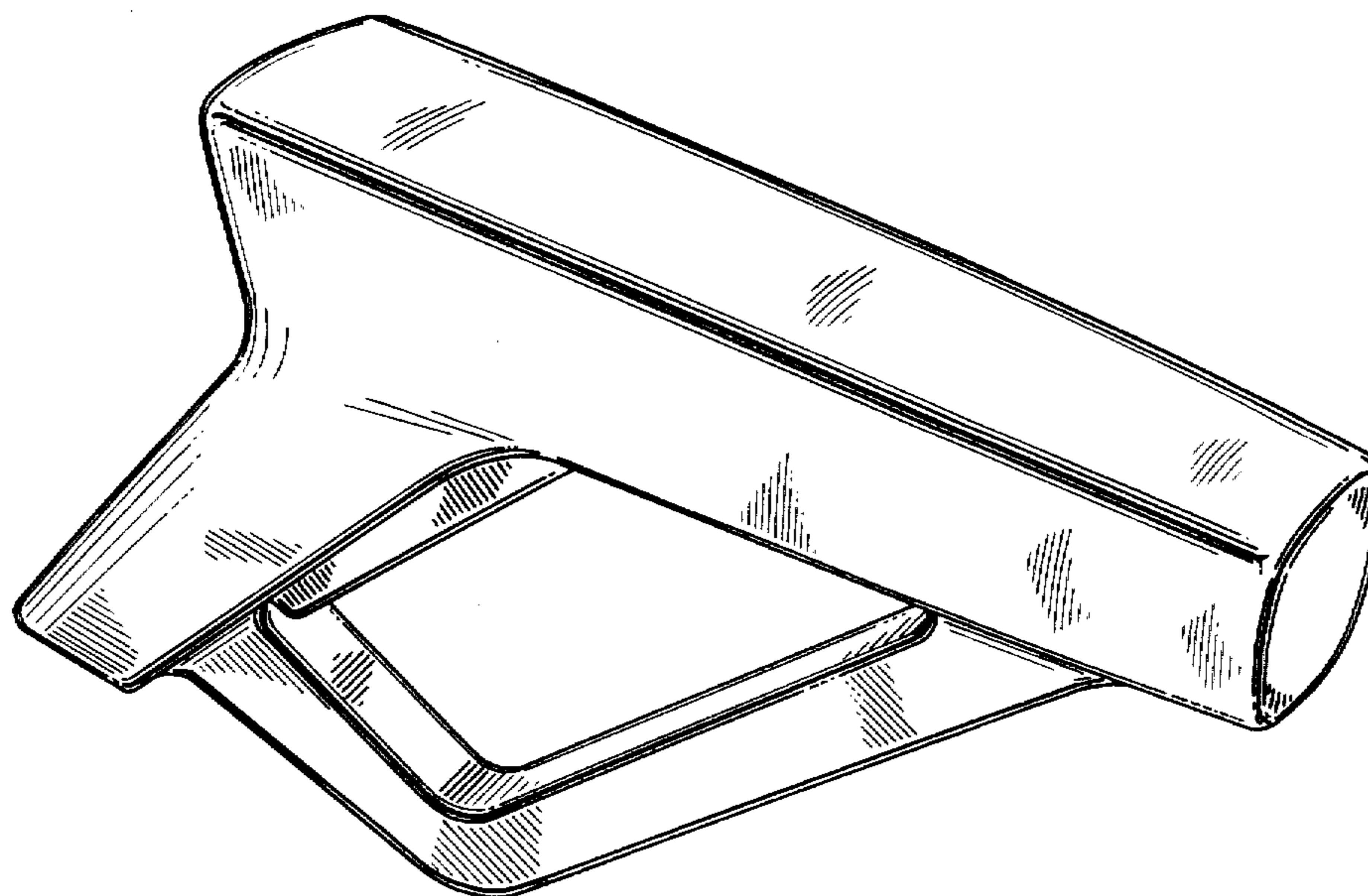
Primary Examiner—Bernard Ansher
Attorney, Agent, or Firm—Joseph P. Martin

[57] CLAIM

The ornamental design for a powered implement handle, as shown and described.

DESCRIPTION

FIG. 1 is a perspective view of a powered implement handle embodying our new design; FIG. 2 is a left side elevational view, the right side being a mirror image thereof; FIG. 3 is a rear elevational view thereof; FIG. 4 is a front elevational view thereof; FIG. 5 is a top plan view thereof; and FIG. 6 is a bottom plan view thereof.



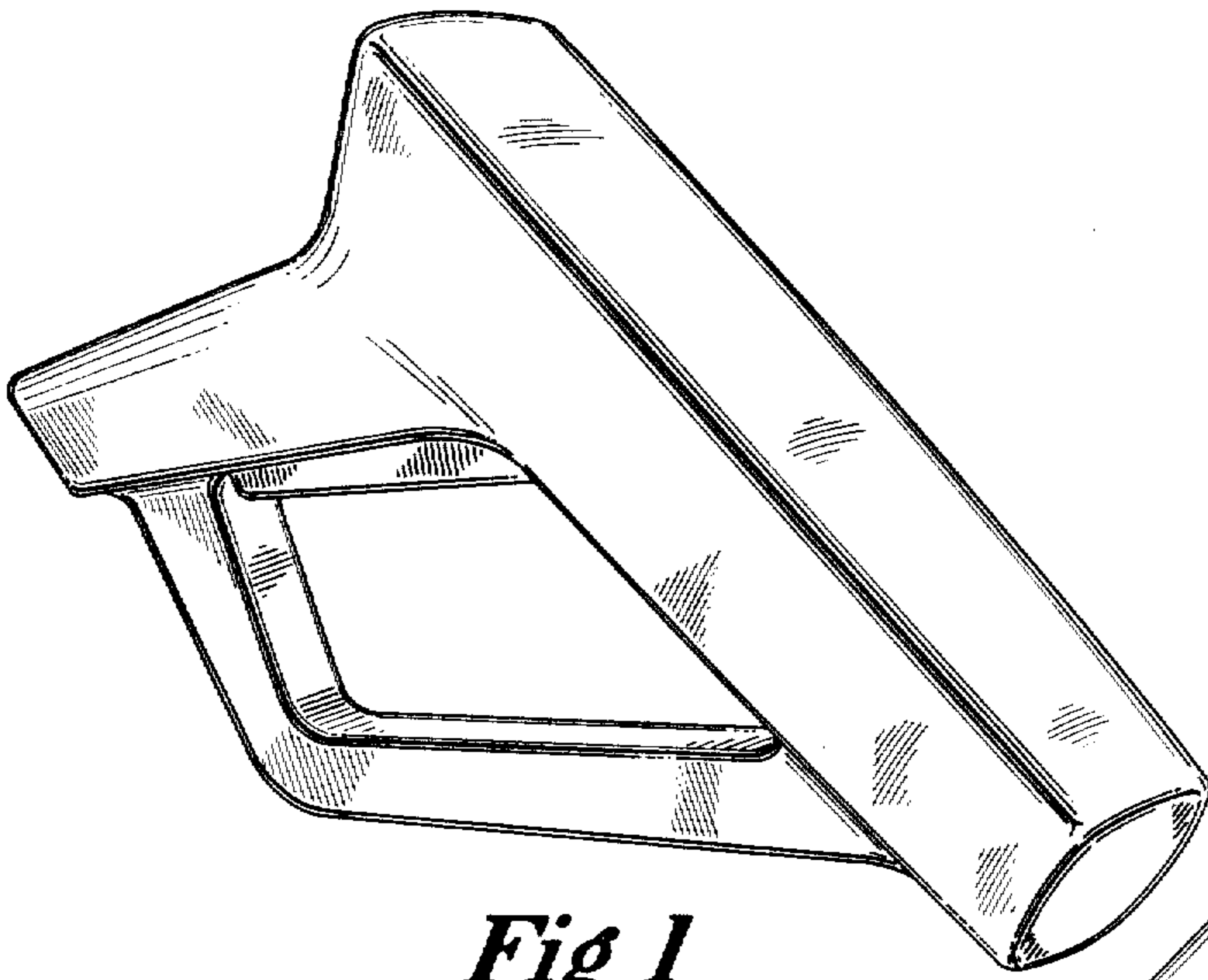


Fig 1

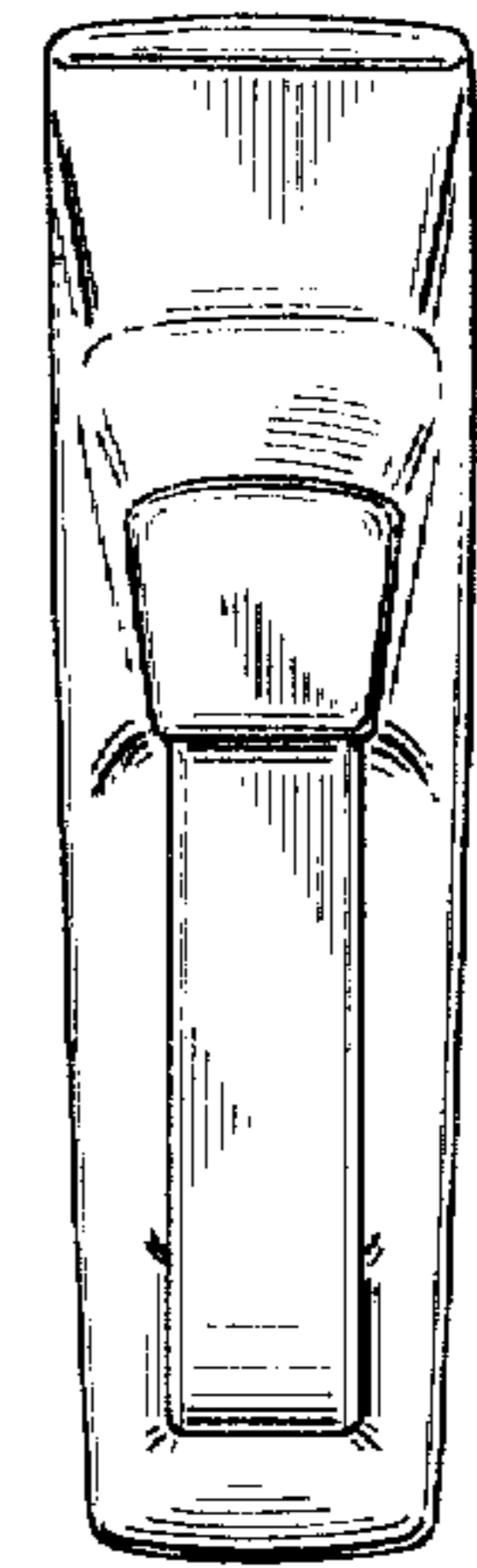


Fig 3

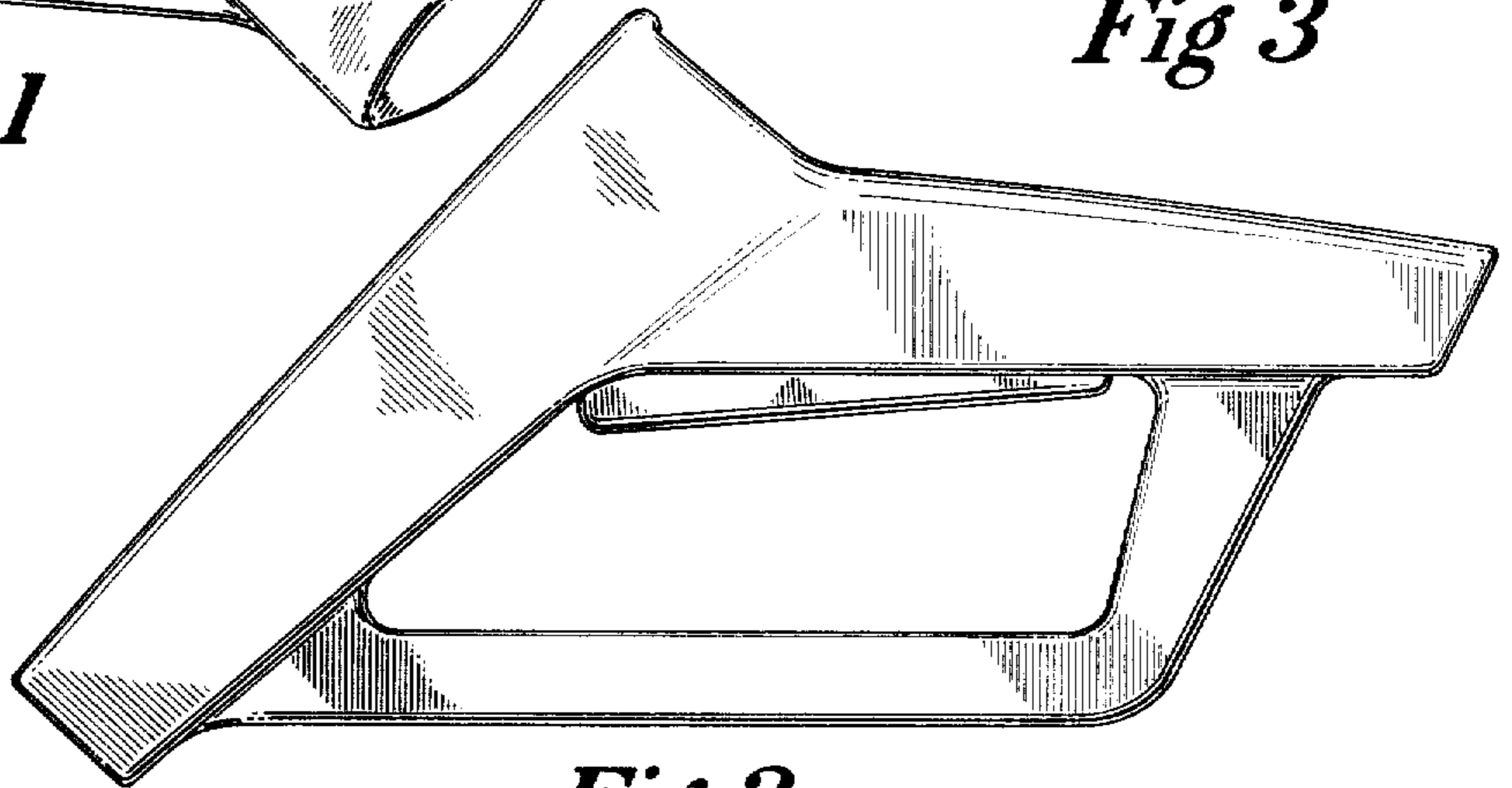


Fig 2

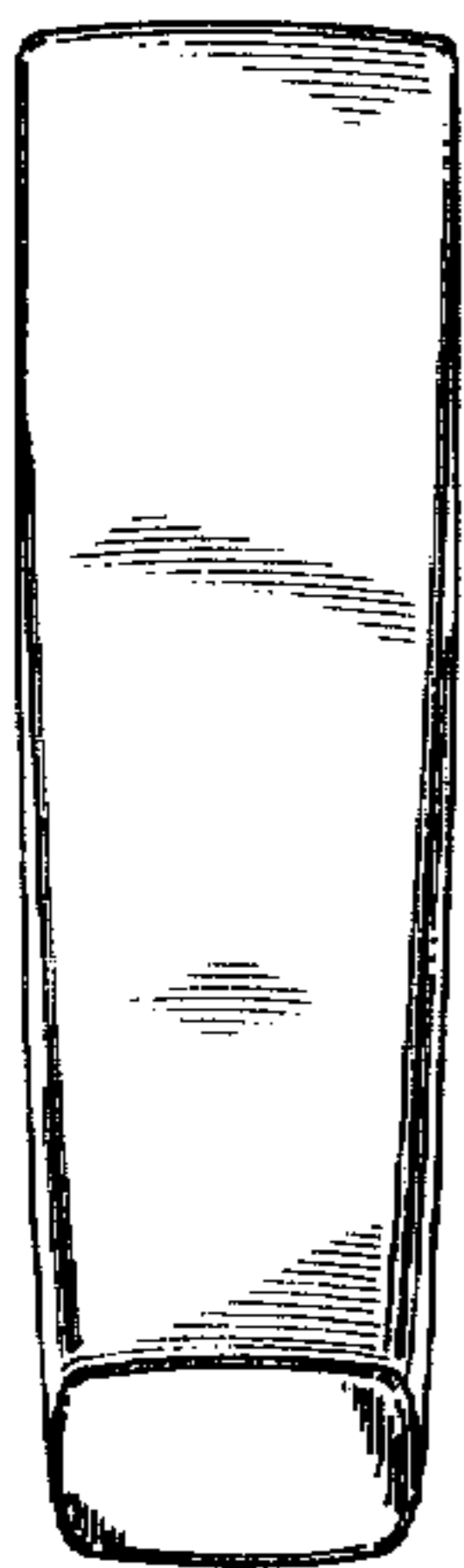


Fig 4

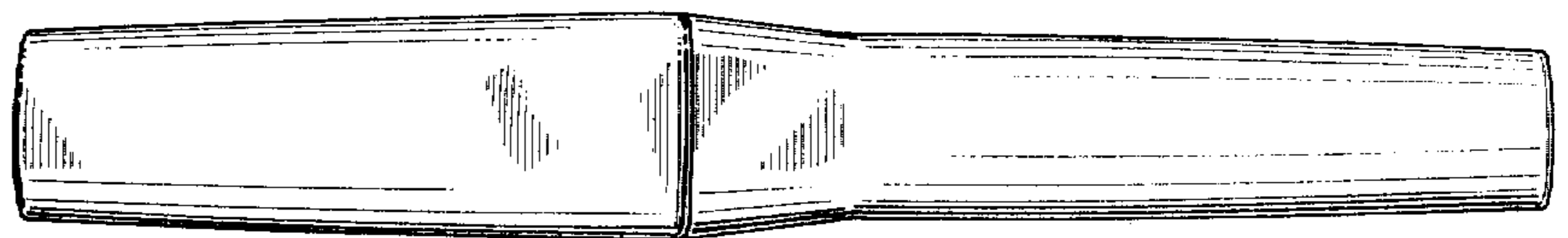


Fig 5



Fig 6