

[54] **HOLDER FOR DIFFERENT SIZE JARS**
[76] Inventors: **Esther L. Teuber; George F. Teuber,**
both of Star Rte. Box 190E, Umpqua,
Oreg. 97486

[**] Term: **14 Years**

[21] Appl. No.: **144,175**

[22] Filed: **Apr. 25, 1980**

[51] Int. Cl. **D07—06**

[52] U.S. Cl. **D7/71; D7/38**

[58] Field of Search **D7/71, 41, 70, 45, 46,**
D7/38, 37; D9/347, 341, 345, 424, 431, 432;
215/100.5; 248/346.1

[56] **References Cited**

U.S. PATENT DOCUMENTS

- D. 81,894 8/1930 Shinn D7/46
- D. 196,854 11/1963 Nicholson D7/38
- D. 199,738 12/1964 Davis D7/38

- D. 210,897 4/1968 Anglada D7/71
- D. 212,965 12/1968 Du Pont D7/45
- 3,338,628 8/1967 Evans D7/70 X

OTHER PUBLICATIONS

The Gift & Art Buyer, Jul., 1962, p. 29, Item #1130, top right—by Ernest Sohn, two jars on a tray.

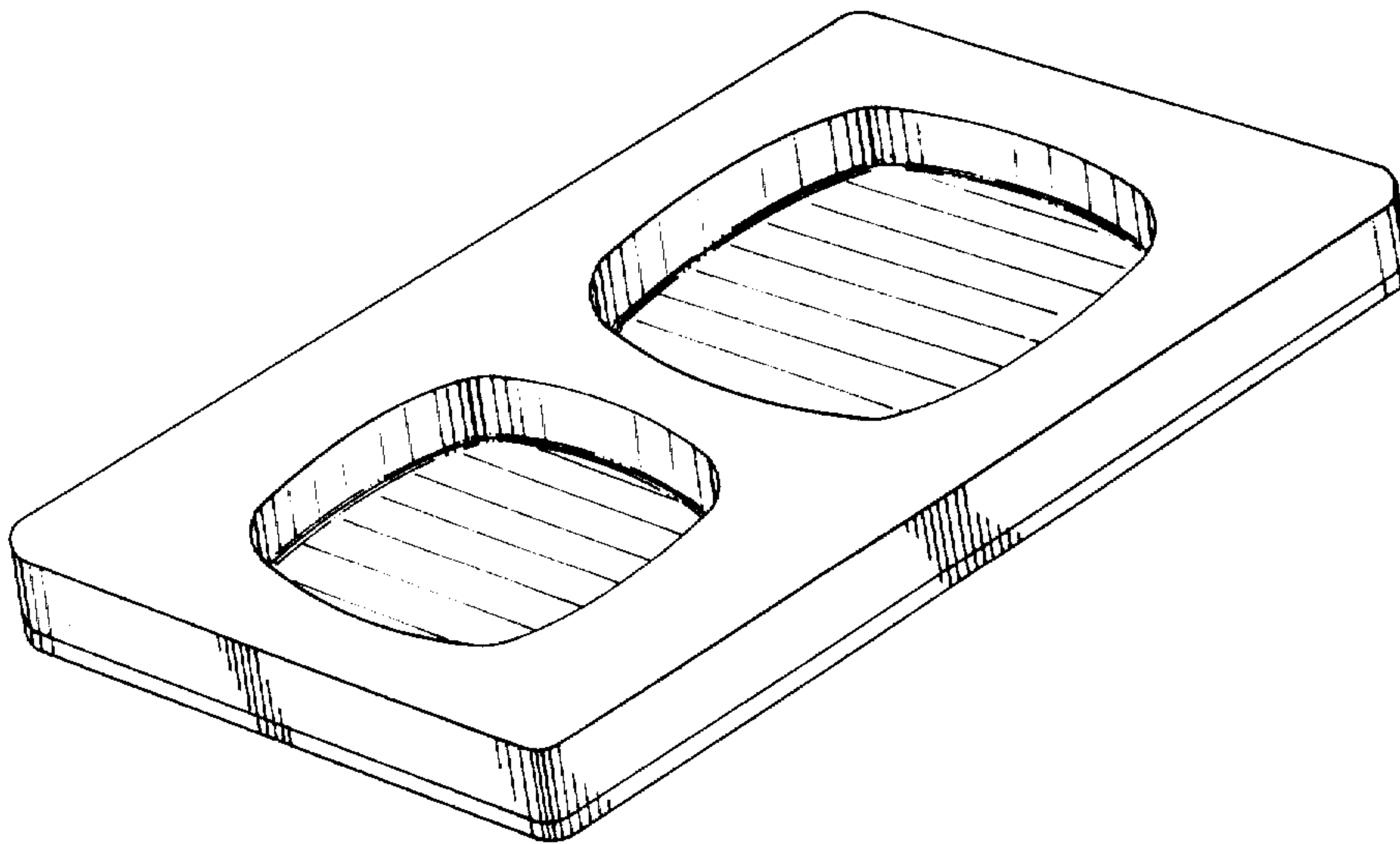
Primary Examiner—Winifred E. Herrmann
Attorney, Agent, or Firm—James D. Givnan, Jr.

[57] **CLAIM**

The ornamental design for a holder for different size jars, as shown.

DESCRIPTION

FIG. 1 is a perspective view of a holder for different size jars showing our new design;
FIG. 2 is a front or rear elevational view thereof;
FIG. 3 is a left or right end elevational view thereof;
and
FIG. 4 is a bottom plan view thereof.



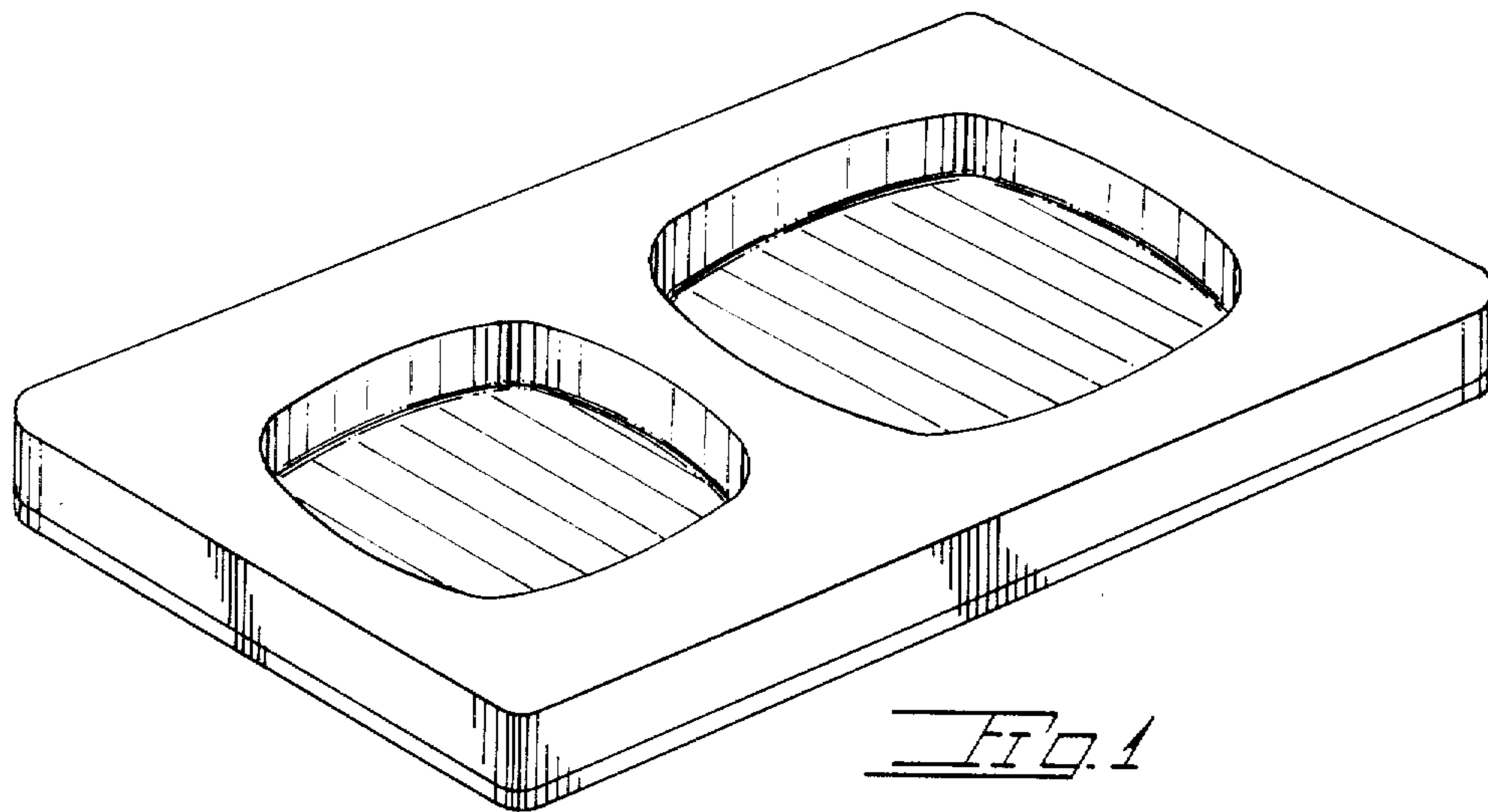


FIG. 1

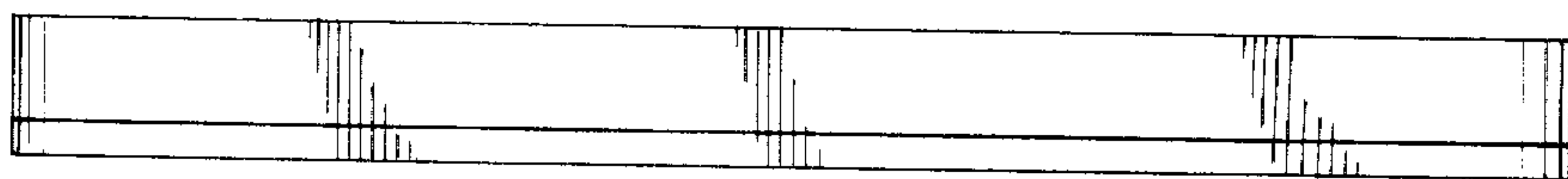


FIG. 2

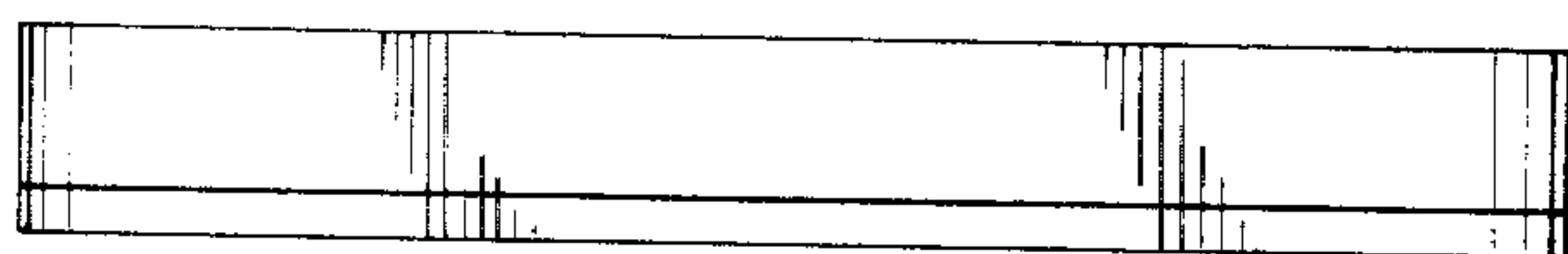


FIG. 3

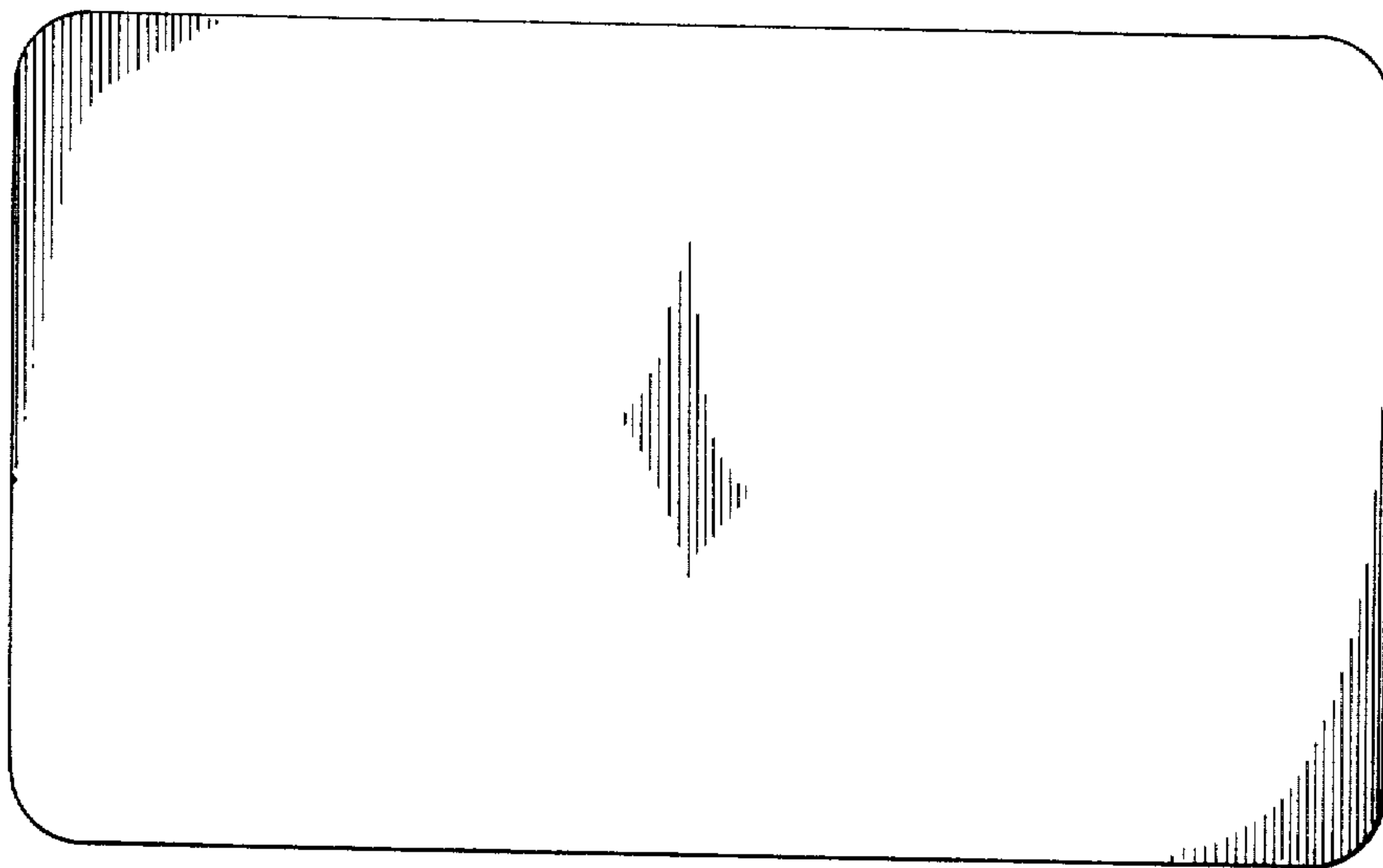


FIG. 4