

[54] TABLE

[76] Inventor: Ernesto Azzalin, 411 E. 57th St., New York, N.Y. 10022

[**] Term: 14 Years

[21] Appl. No.: 74,160

[22] Filed: Sep. 10, 1979

[51] Int. Cl. D6-03

[52] U.S. Cl. D6/177

[58] Field of Search D6/146-149, D6/175, 177, 178, 179; 108/3, 11, 12

[56] References Cited

U.S. PATENT DOCUMENTS

- D. 143,004 11/1945 Hunter D6/146
- D. 150,547 8/1948 Buckner D6/178
- D. 157,448 2/1950 Sternkopf D6/178
- D. 244,076 4/1977 Saltz D6/177
- 4,237,795 12/1980 Parker 108/12

FOREIGN PATENT DOCUMENTS

783308 of 1957 United Kingdom 108/12

OTHER PUBLICATIONS

Scandiline Cat., 3-26-1973, p. T14, Table No. 739-2460.

Primary Examiner—Bruce W. Dunkins
Attorney, Agent, or Firm—Amster, Rothstein & Engelberg

[57] CLAIM

The ornamental design for a table, substantially as shown and described.

DESCRIPTION

FIG. 1 is a perspective view of a table showing my new design;
FIG. 2 is a side elevational view thereof;
FIG. 3 is an end elevational view thereof; and,
FIG. 4 is a bottom plan view thereof.
The side and end of the table not shown are like the side end shown, respectively.

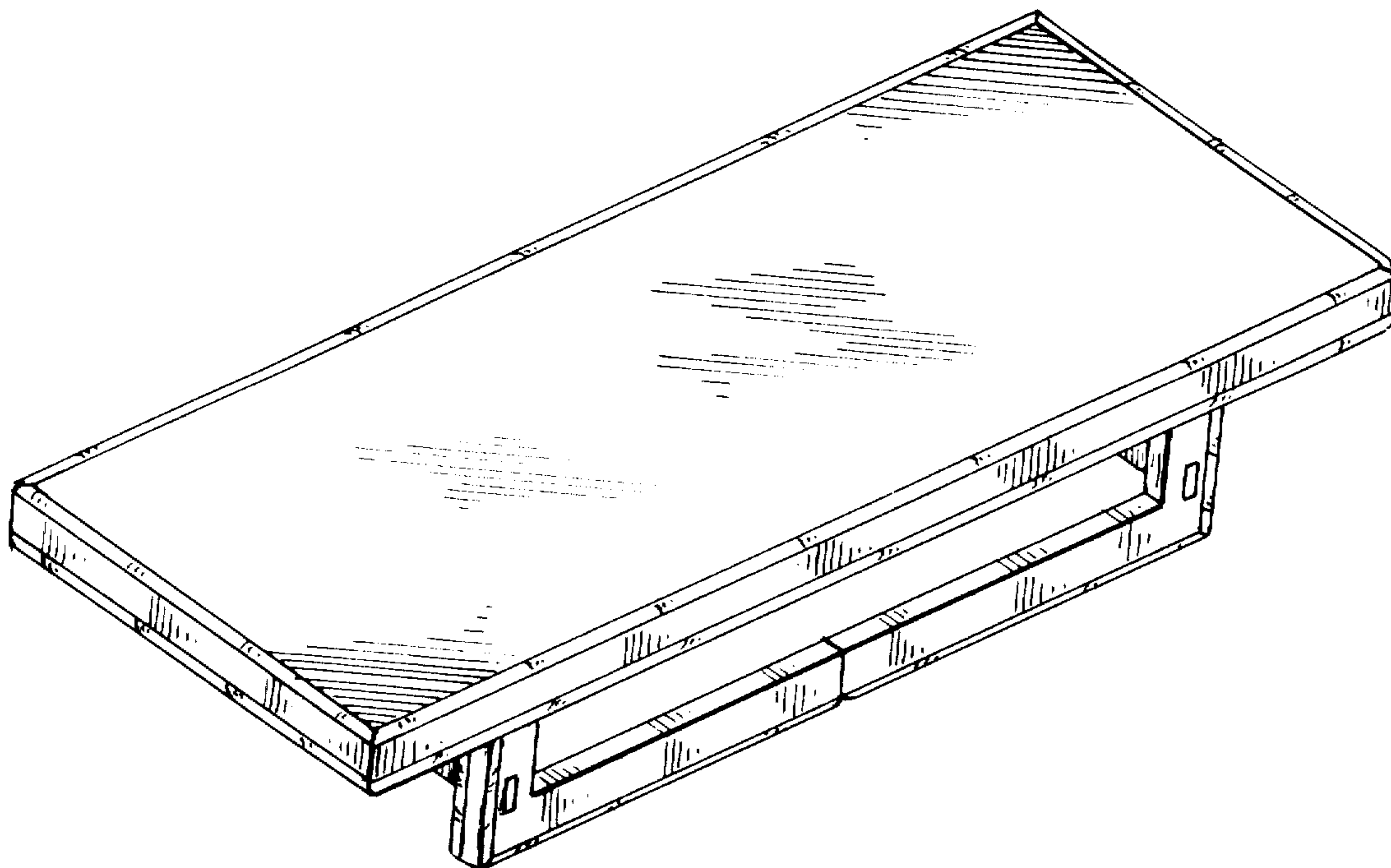


FIG. 1

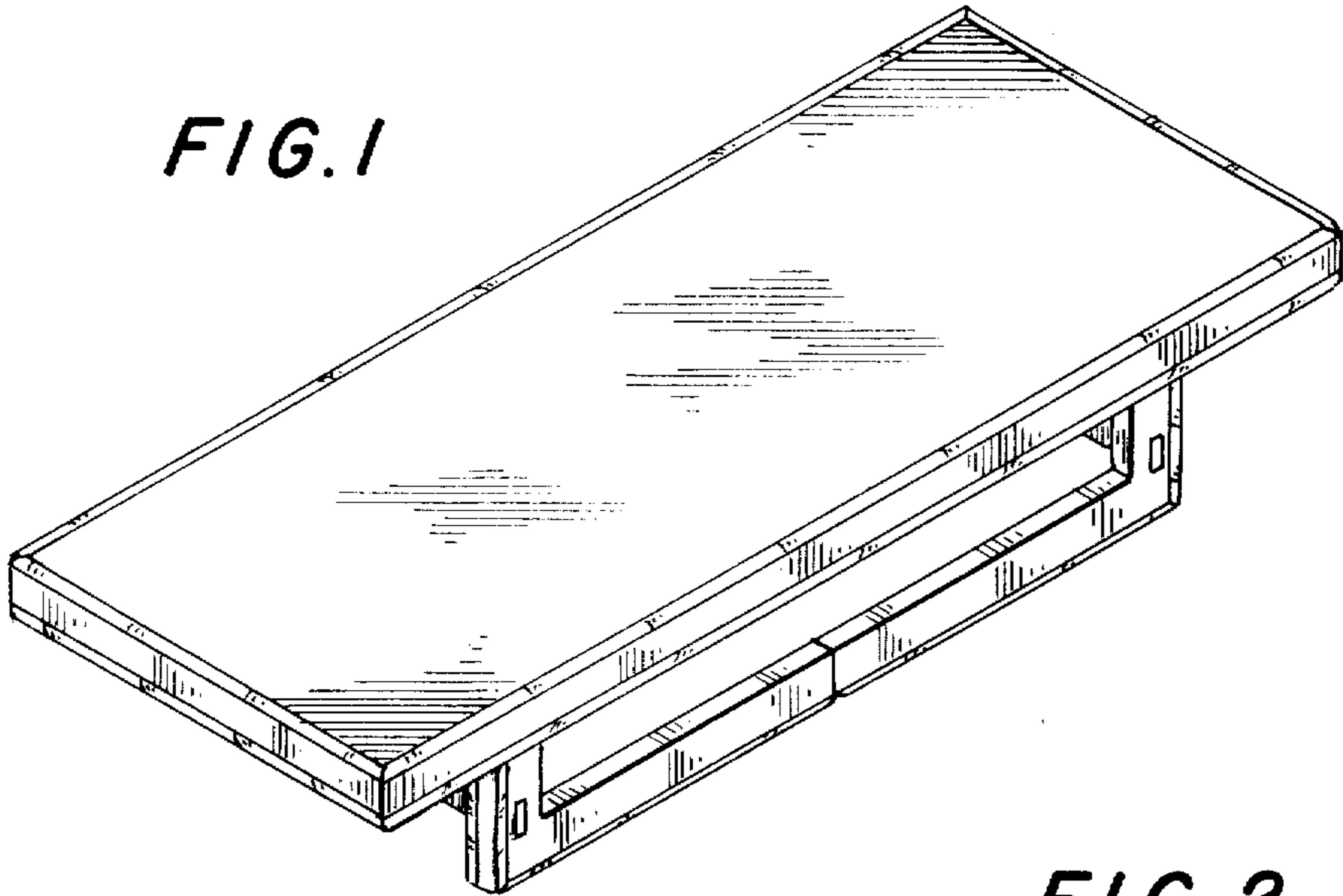


FIG. 2

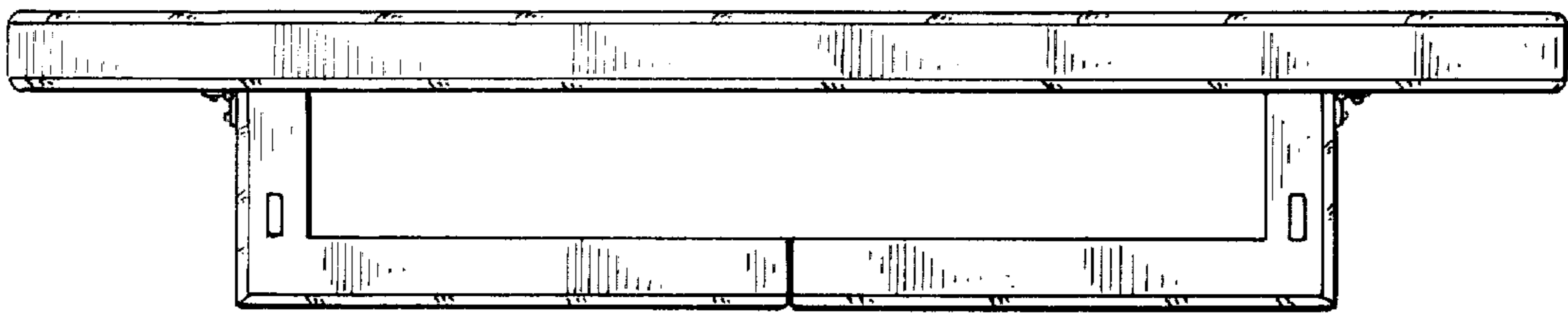


FIG. 3

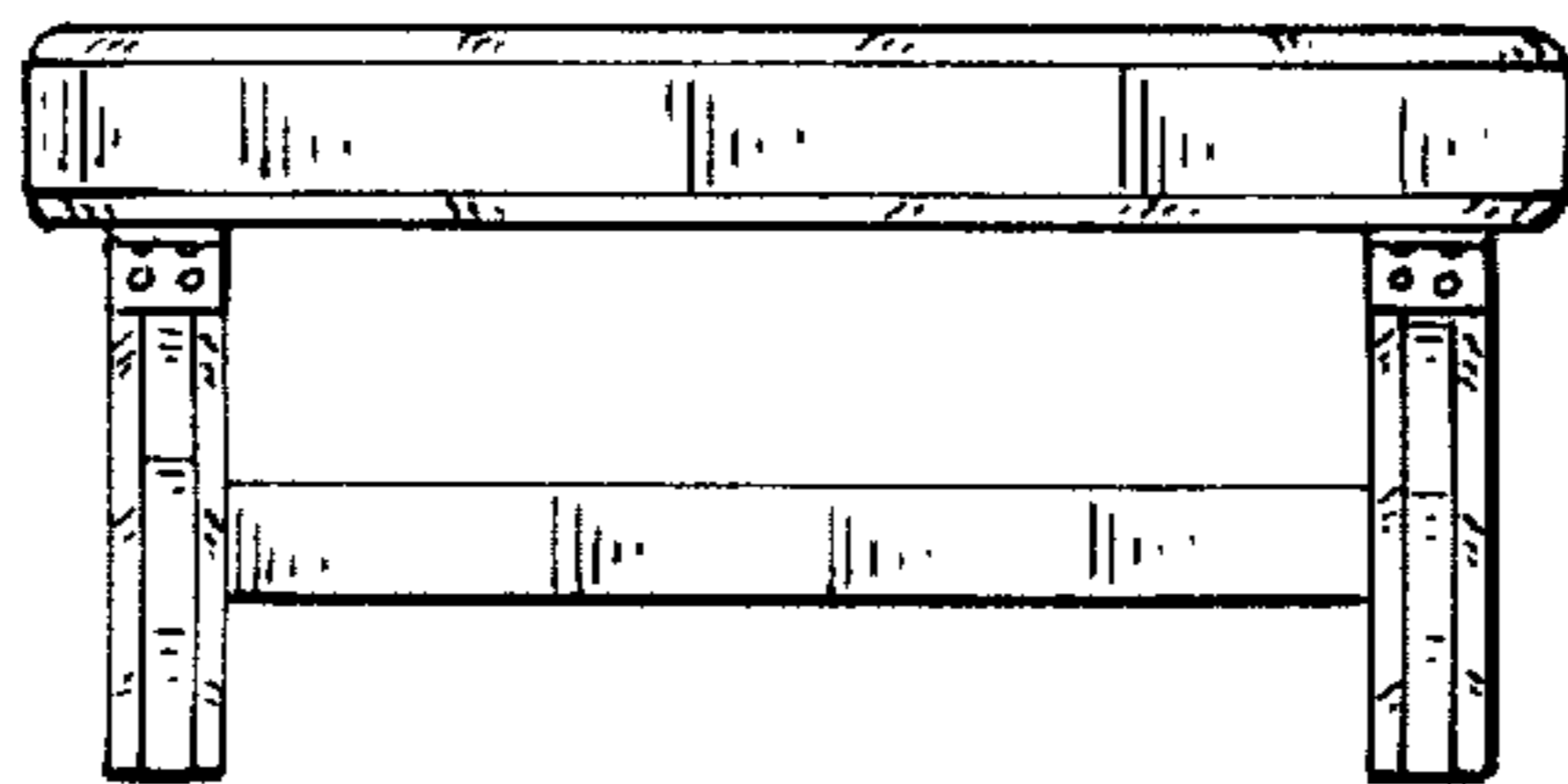


FIG. 4

