

[54] **CABINET**

[76] **Inventor:** Jerry H. Swartz, 33412 Galleon Way,
Dana Point, Calif. 92629

[**] **Term:** 14 Years

[21] **Appl. No.:** 67,560

[22] **Filed:** Aug. 17, 1979

[51] **Int. Cl.** D6—04

[52] **U.S. Cl.** D6/168; D6/161

[58] **Field of Search** D6/40, 86, 150, 158,
D6/159, 160, 161, 163, 164, 165, 166, 167, 168,
169, 170, 174, 181, 186; 312/194, 286, 278, 279

[56] **References Cited**

U.S. PATENT DOCUMENTS

D. 96,867 9/1935 Stipek D6/186

Primary Examiner—Lester L. Lee

[57] **CLAIM**

The ornamental design for a cabinet, as shown and described.

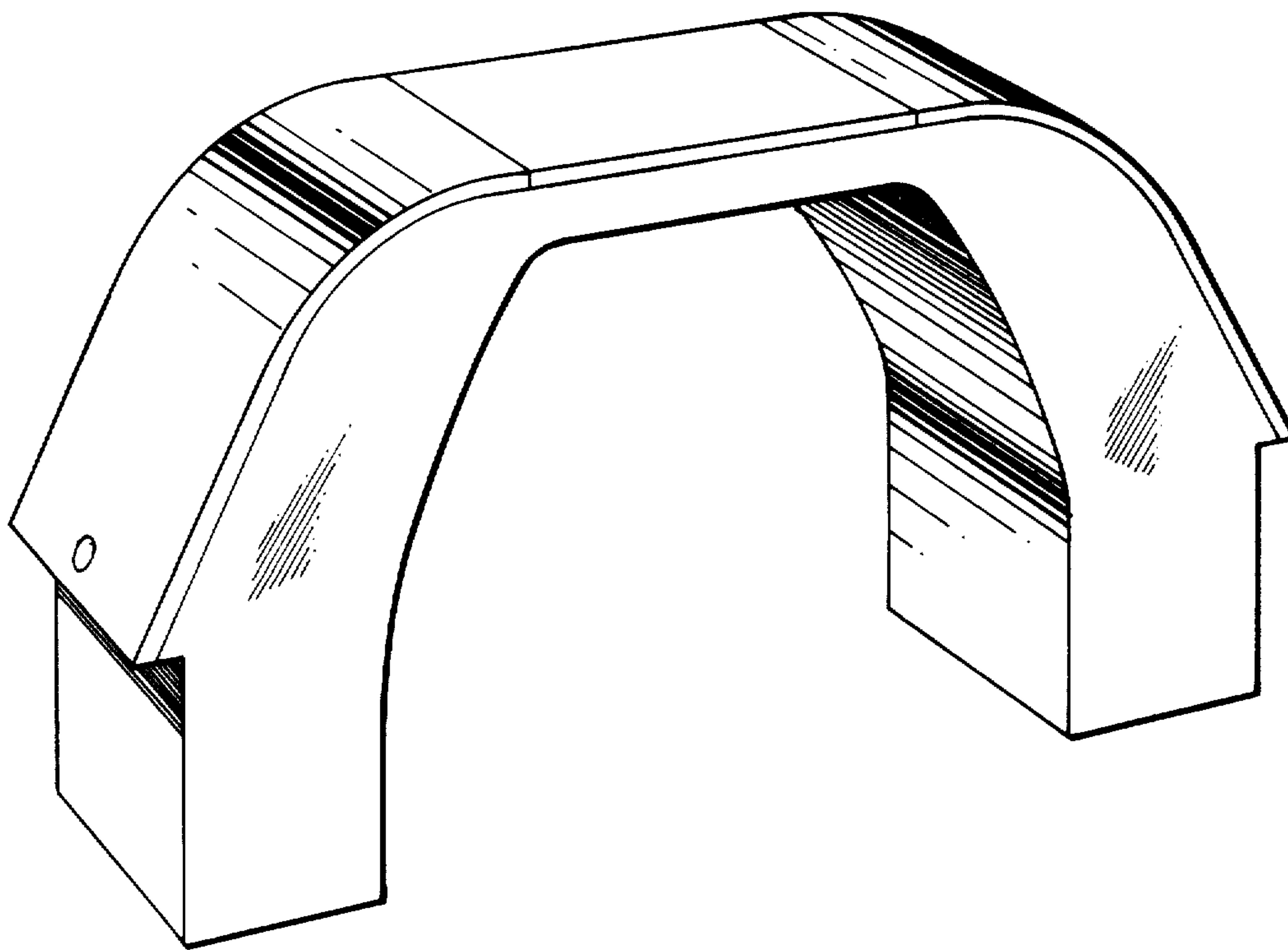
DESCRIPTION

FIG. 1 is a perspective view of the cabinet taken from the rear showing my new design. The bottom is plain and unornamental.

FIG. 2 is a front elevational view thereof.

FIG. 3 is a side elevational view thereof.

The side shown is identical to that which is not.



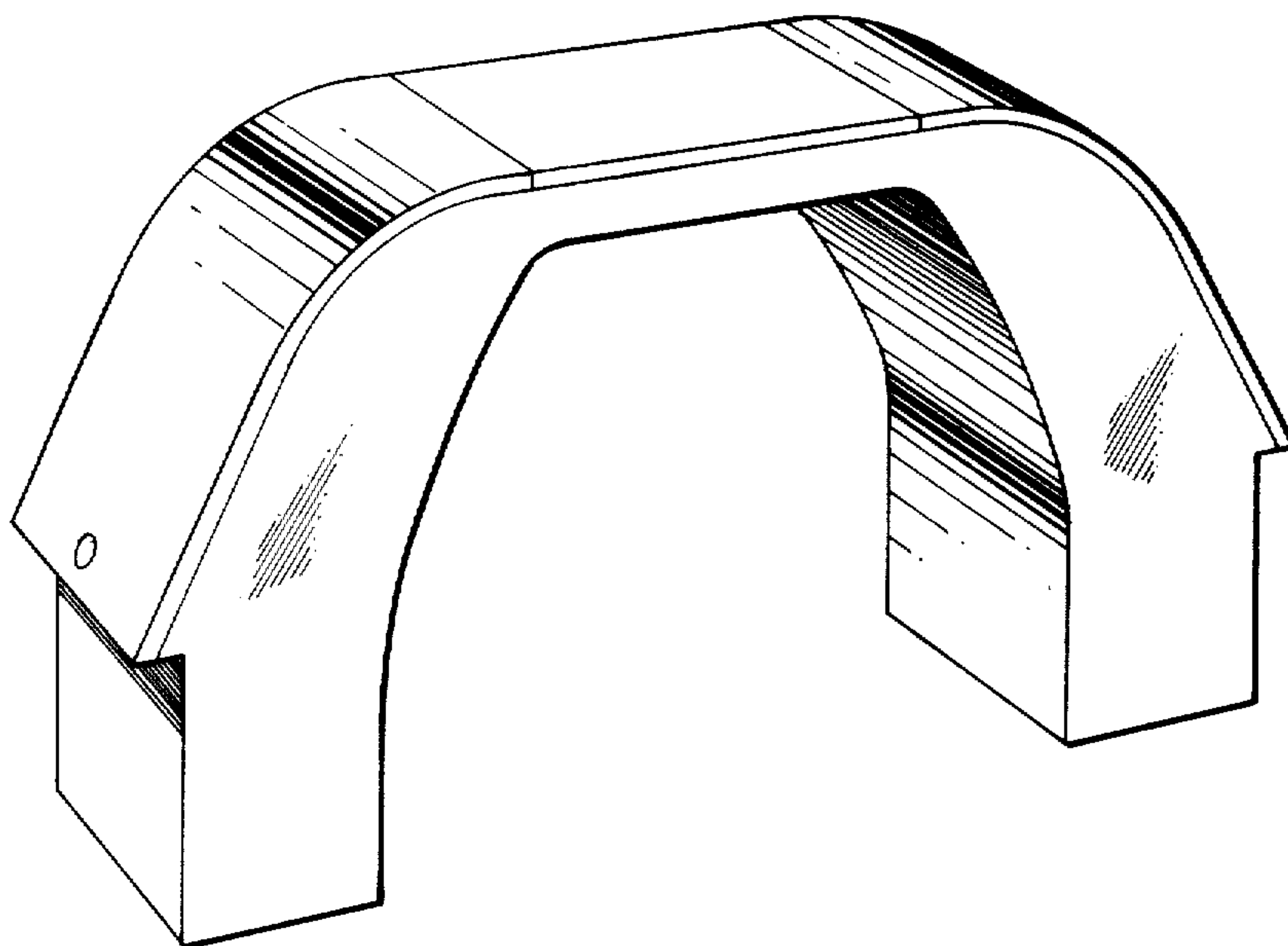


Fig. 1

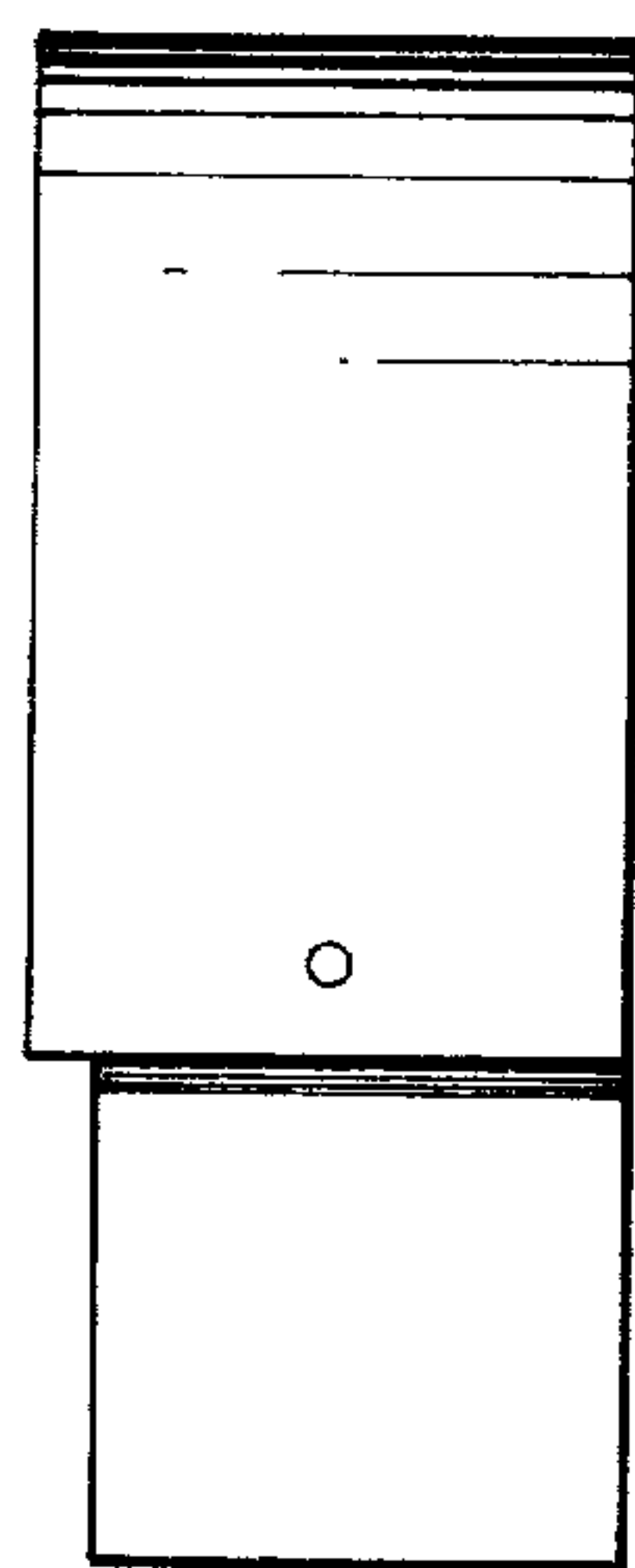


Fig. 3

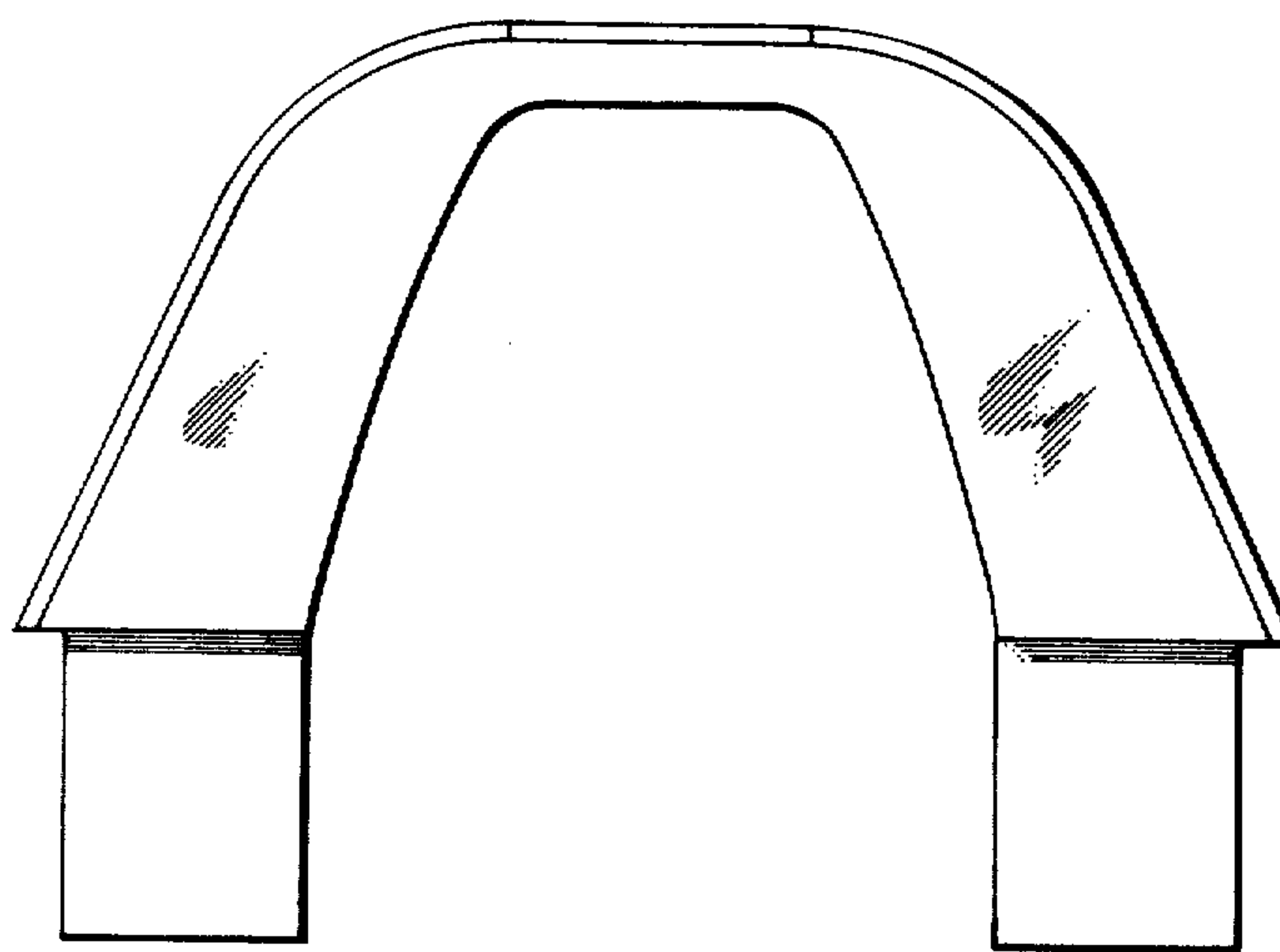


Fig. 2