

[54] FOLDING SHELF

[76] Inventors: Ruth K. Bennett; Frank P. Bennett, both of 1248 Surf Rd., Riviera Beach, Fla. 33404

[\*\*] Term: 14 Years

[21] Appl. No.: 95,560

[22] Filed: Nov. 19, 1979

[51] Int. Cl. .... D6-99

[52] U.S. Cl. .... D6/113; D6/138; D6/178; D6/199

[58] Field of Search ..... D6/113, 132, 134, 135, D6/136, 128, 86, 181, 191, 199; 211/125

[56] References Cited

U.S. PATENT DOCUMENTS

- D. 199,569 11/1964 Bodenbach ..... D6/128
- D. 244,331 5/1977 Woods ..... D6/184 X

- D. 244,818 6/1977 Schweitzer ..... D6/132
- 2,685,757 8/1954 Mirigian ..... D6/128 X
- 2,918,682 12/1959 Thoresen et al. .... D6/86 X

Primary Examiner—Bruce W. Dunkins  
Attorney, Agent, or Firm—Lawrence S. Lawrence

[57] CLAIM

The ornamental design for a folding shelf, as shown and described.

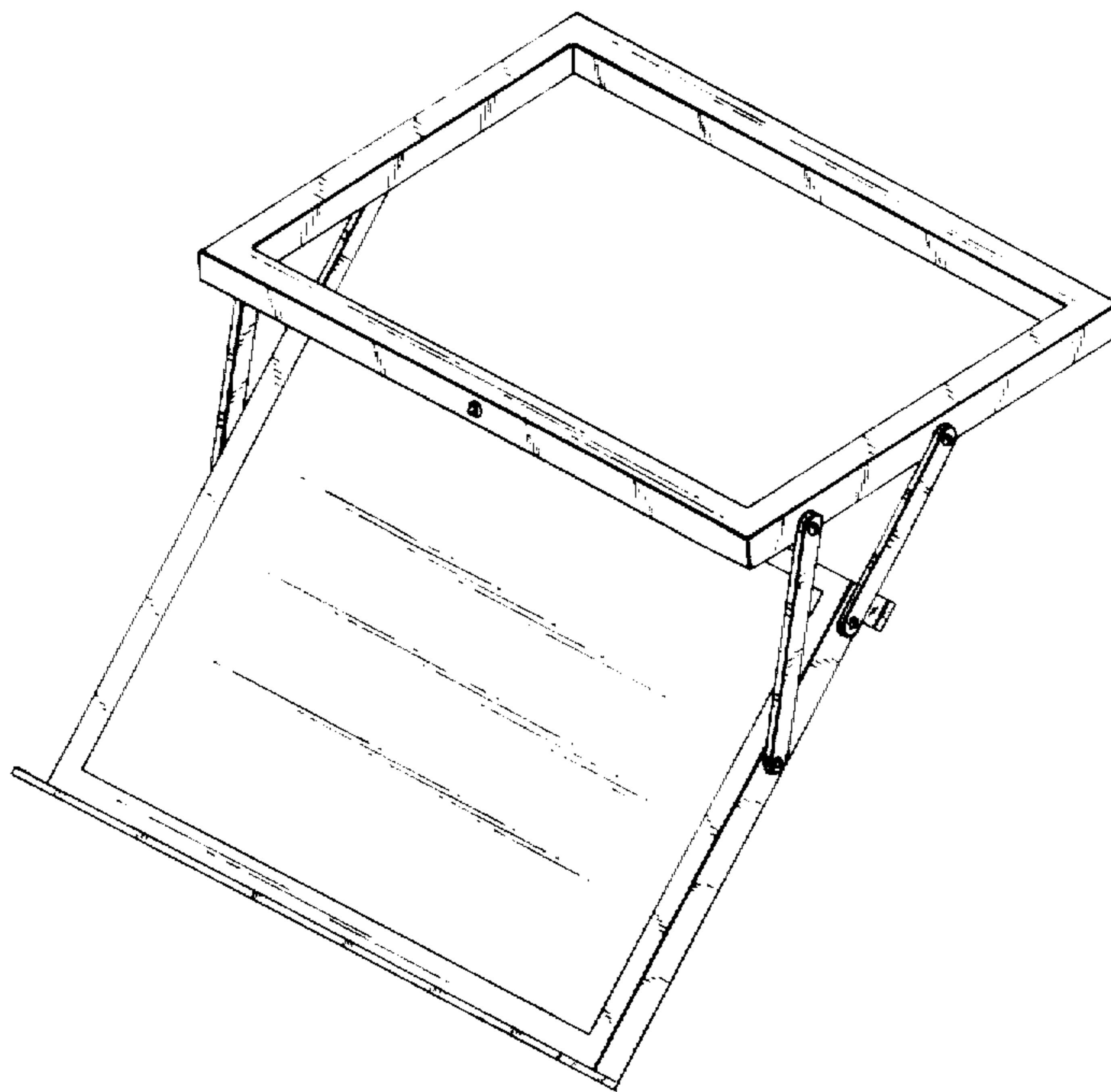
DESCRIPTION

FIG. 1 is a front perspective view of a folding shelf showing our design in the closed position.

FIG. 2 is a rear view of the folding shelf in the closed position.

FIG. 3 is a front perspective view of the folding shelf in the open position.

The side edge of the folding shelf not shown is a mirror image of the side edge shown in FIG. 1, while the bottom surface thereof is conventionally flat and unornamented.



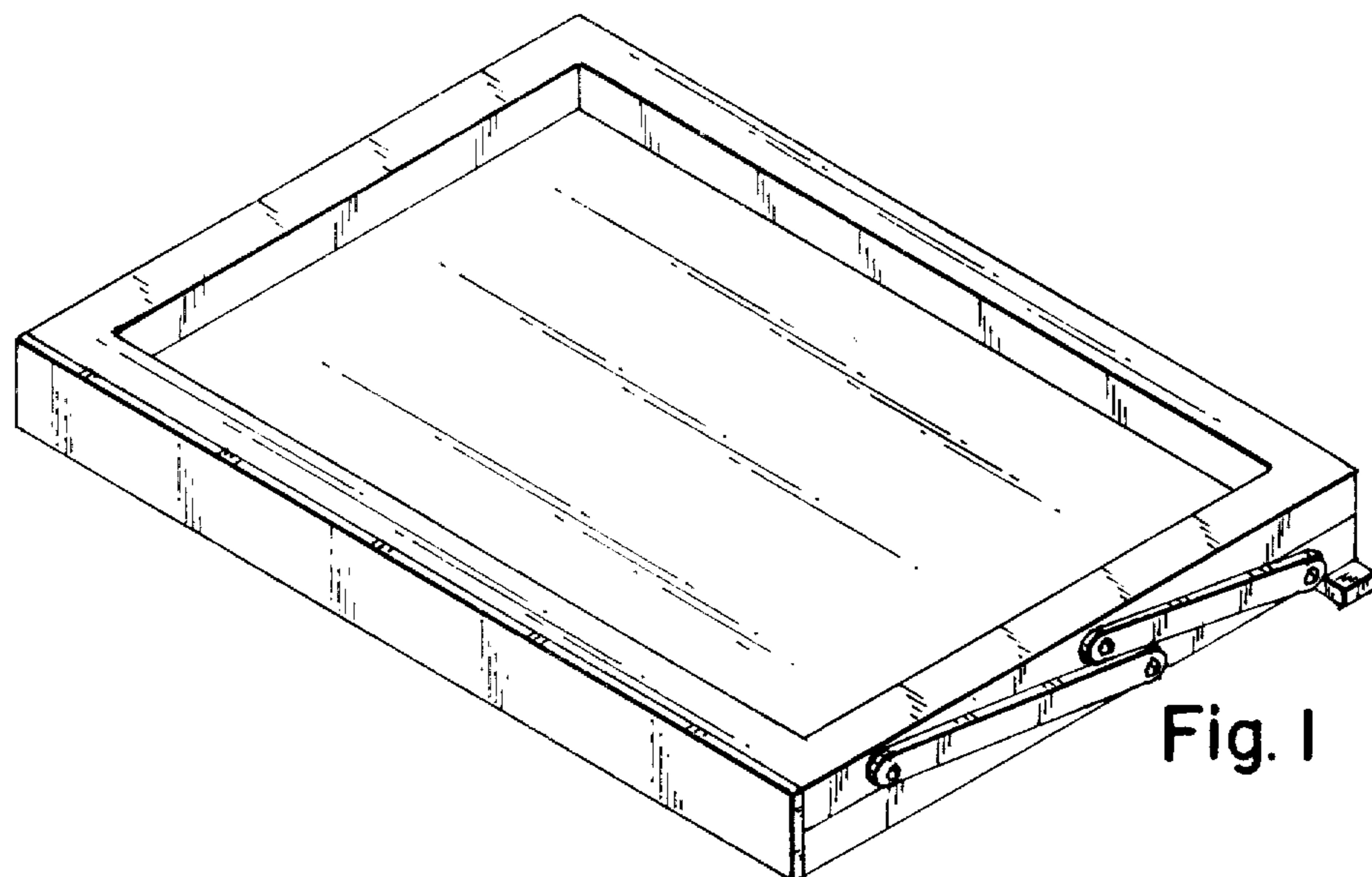


Fig. 1

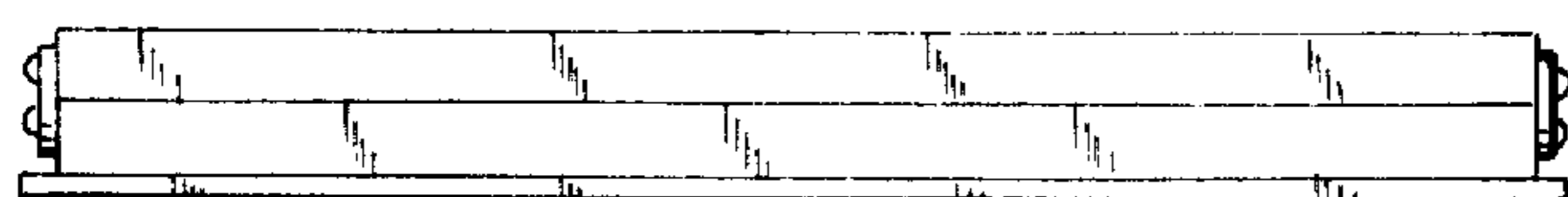


Fig. 2

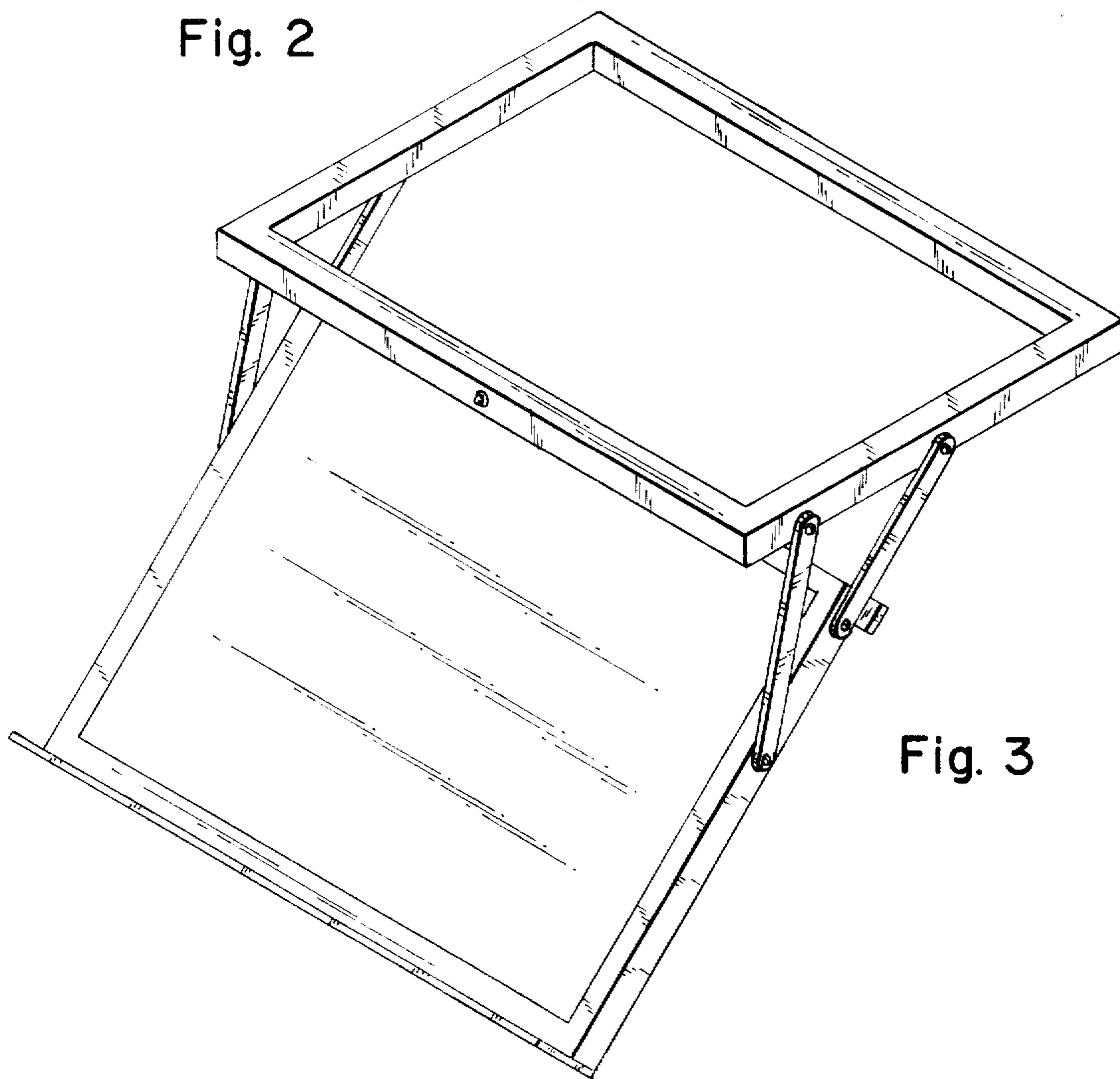


Fig. 3