

[54] BATHTUB TRAY

3,239,850 3/1966 Kiss ..... D6/86

[75] Inventor: Bruce R. Thompson, Tranmere, Australia

[73] Assignee: UPL Group Limited, Brisbane, Australia

[\*\*] Term: 14 Years

[21] Appl. No.: 123,554

[22] Filed: Feb. 22, 1980

[51] Int. Cl. .... D23—02

[52] U.S. Cl. .... D6/86

[58] Field of Search ..... D6/86, 91; 4/571, 559; 168/29, 30, 31, 42, 152

[56] References Cited

U.S. PATENT DOCUMENTS

- D. 247,013 1/1978 Champman ..... D6/86
- D. 250,439 12/1978 Holstein ..... D6/86

OTHER PUBLICATIONS

Design; 3/1971, p. 40; bathtub tray (upper right). House Beautiful; 7/1972; p. 13; Item 3; bathtub tray.

Primary Examiner—B. J. Bullock

Attorney, Agent, or Firm—McDougall, Hersh & Scott

[57] CLAIM

The ornamental design for a bathtub tray, as shown.

DESCRIPTION

FIG. 1 is a perspective view of a bathtub tray showing my new design;

FIG. 2 is a top plan view thereof;

FIG. 3 is a bottom plan view thereof;

FIG. 4 is a front elevational view thereof;

FIG. 5 is a rear elevational view thereof;

FIG. 6 is an end elevational view thereof; and

FIG. 7 is a sectional view taken in the direction of the arrows on line 7—7 of FIG. 2.

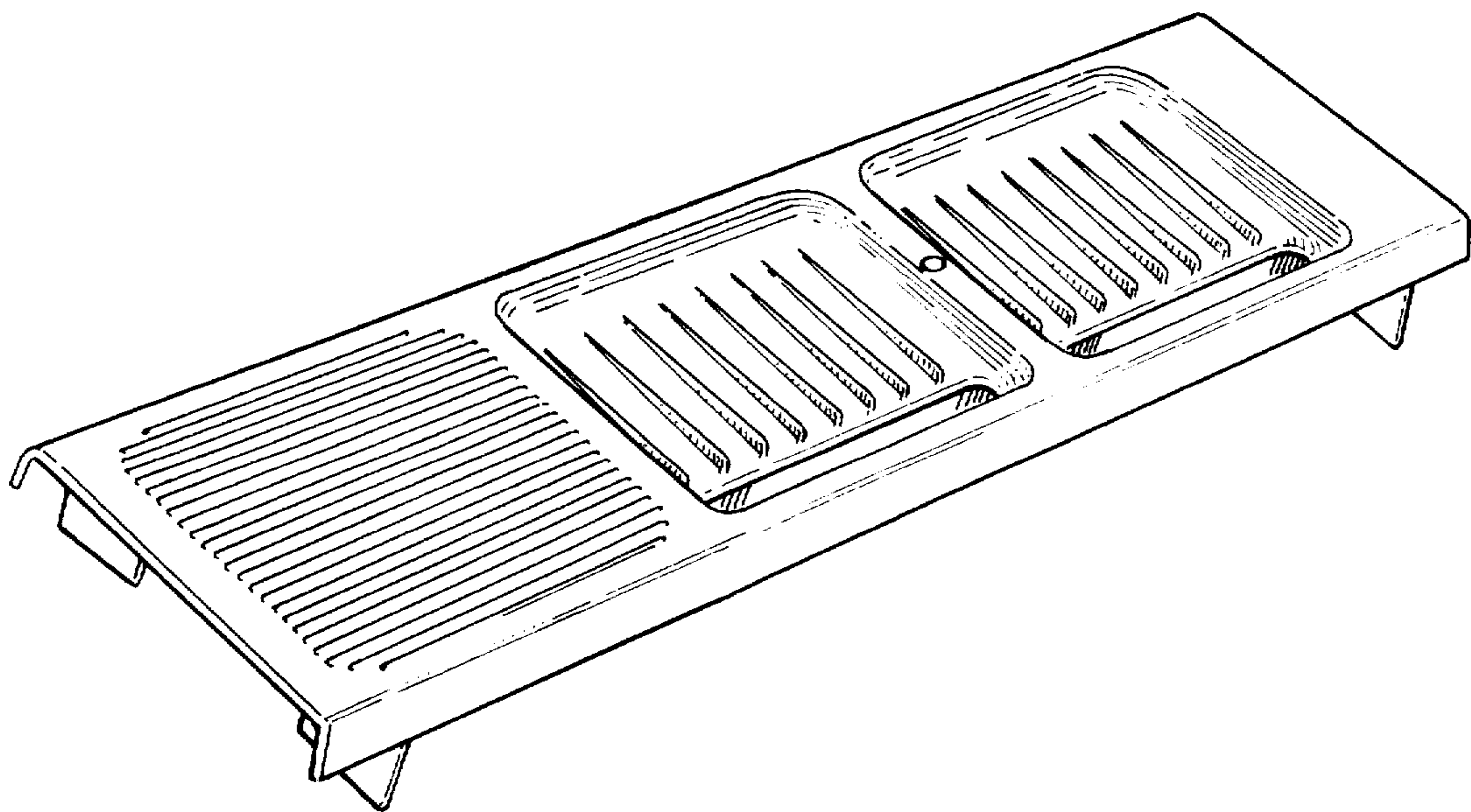


FIG. 1

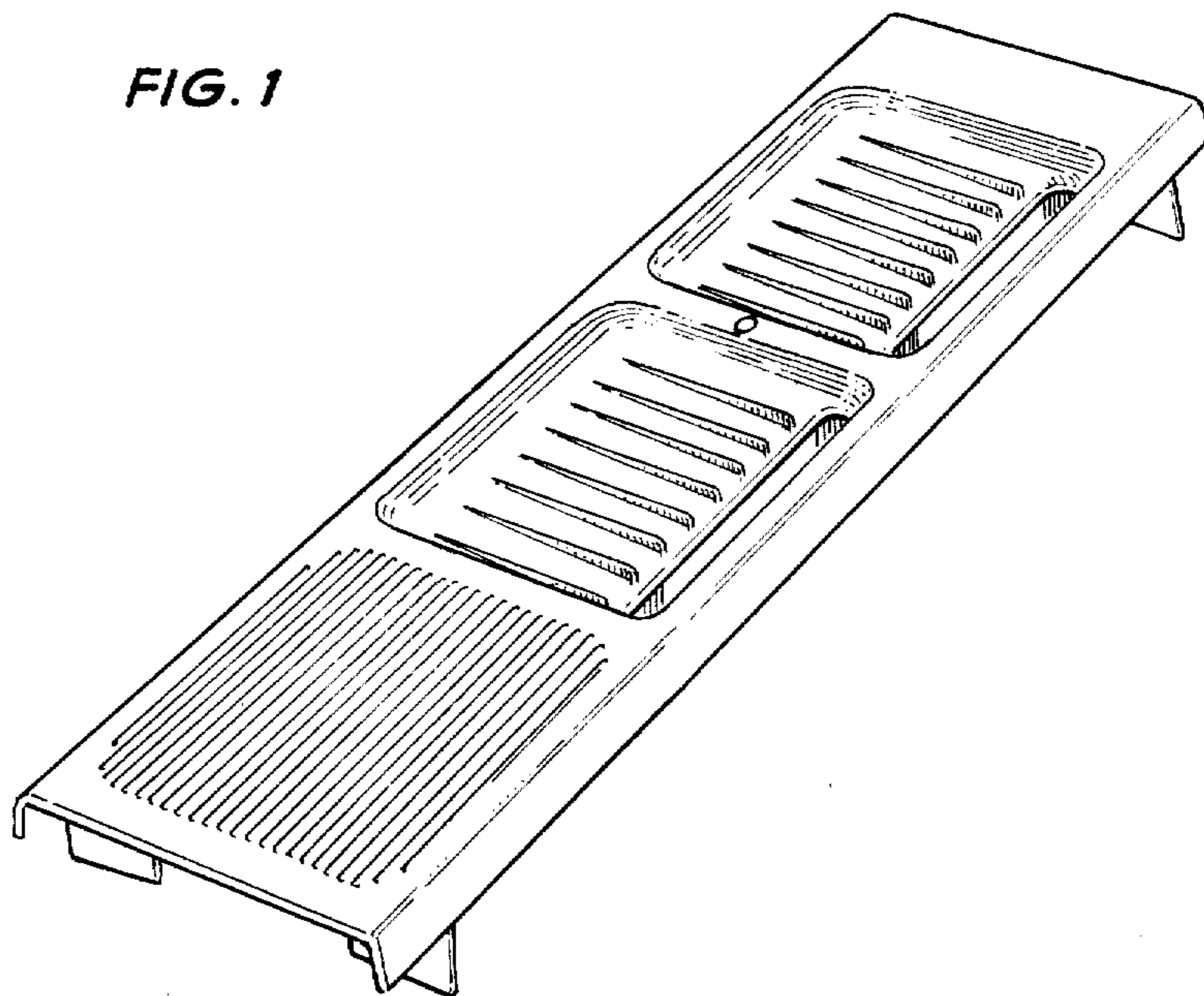


FIG. 2

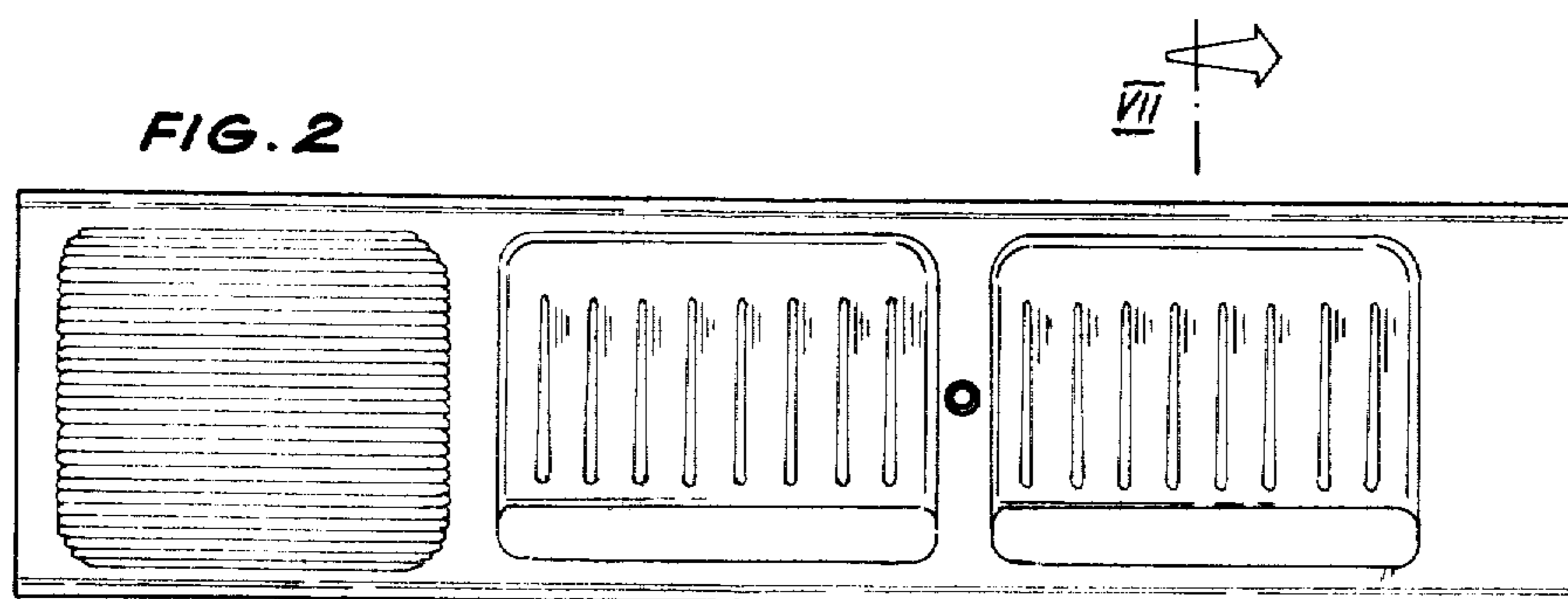
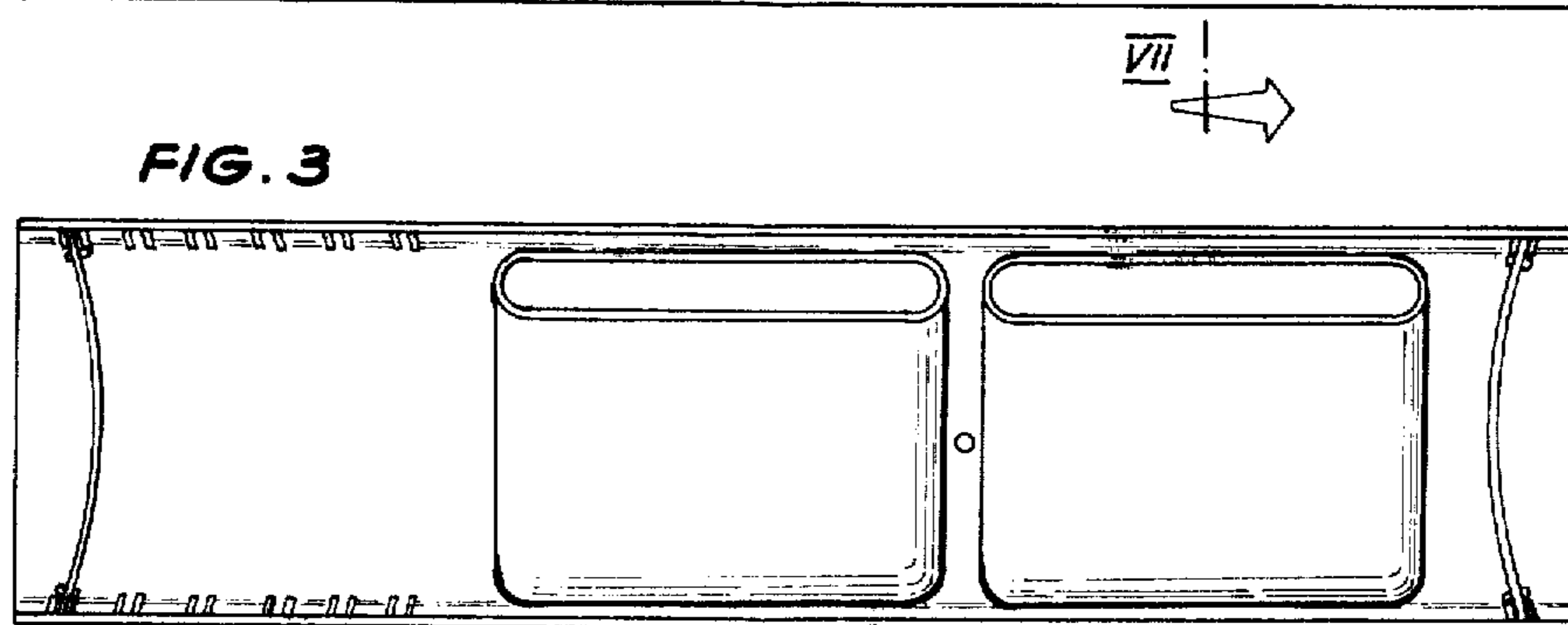
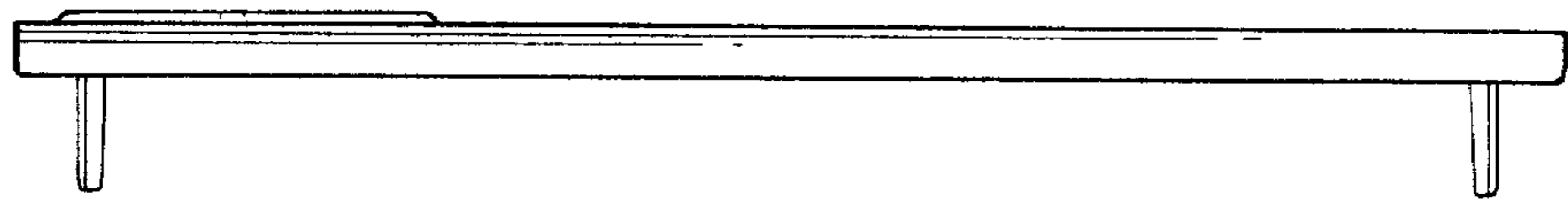
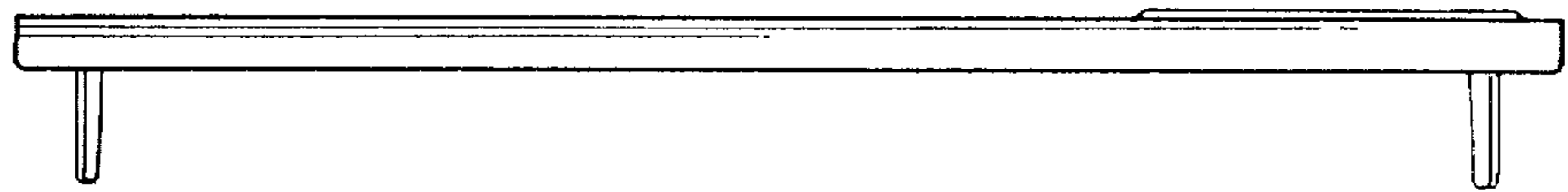


FIG. 3

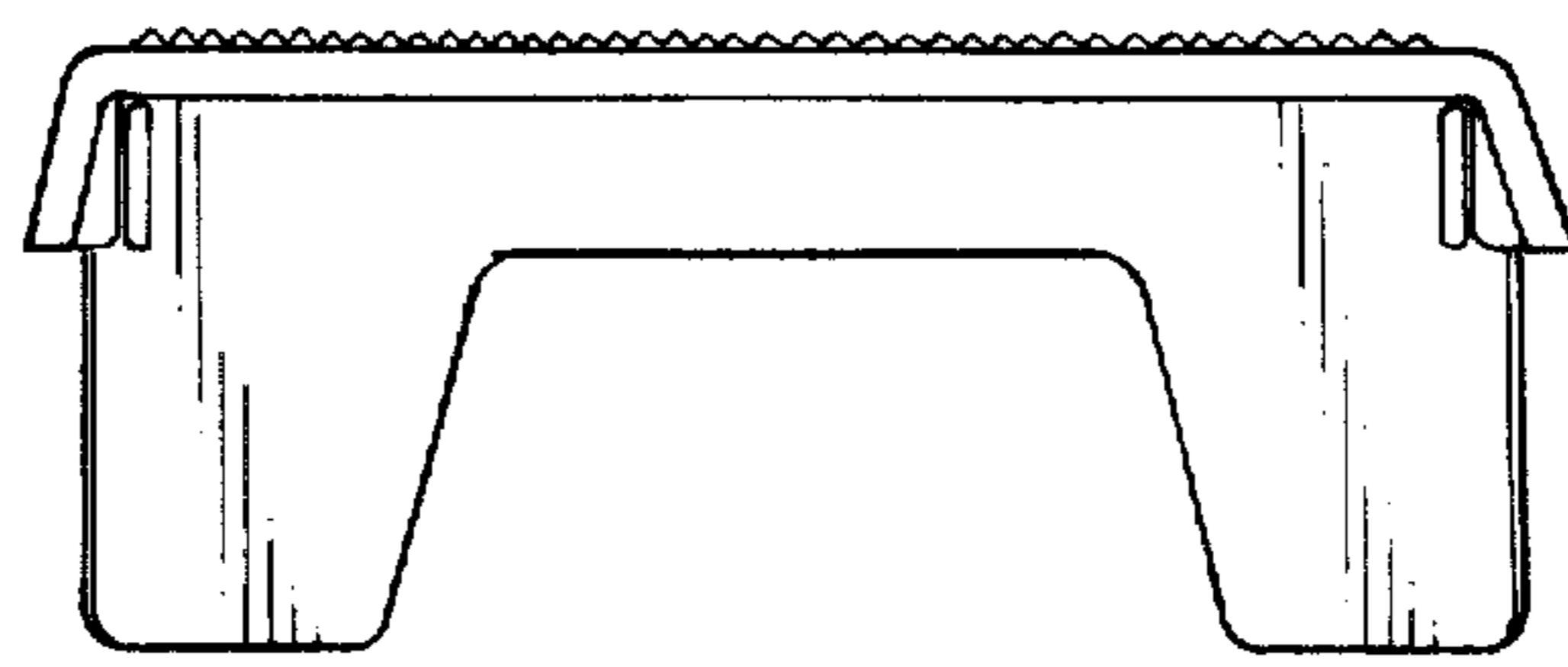




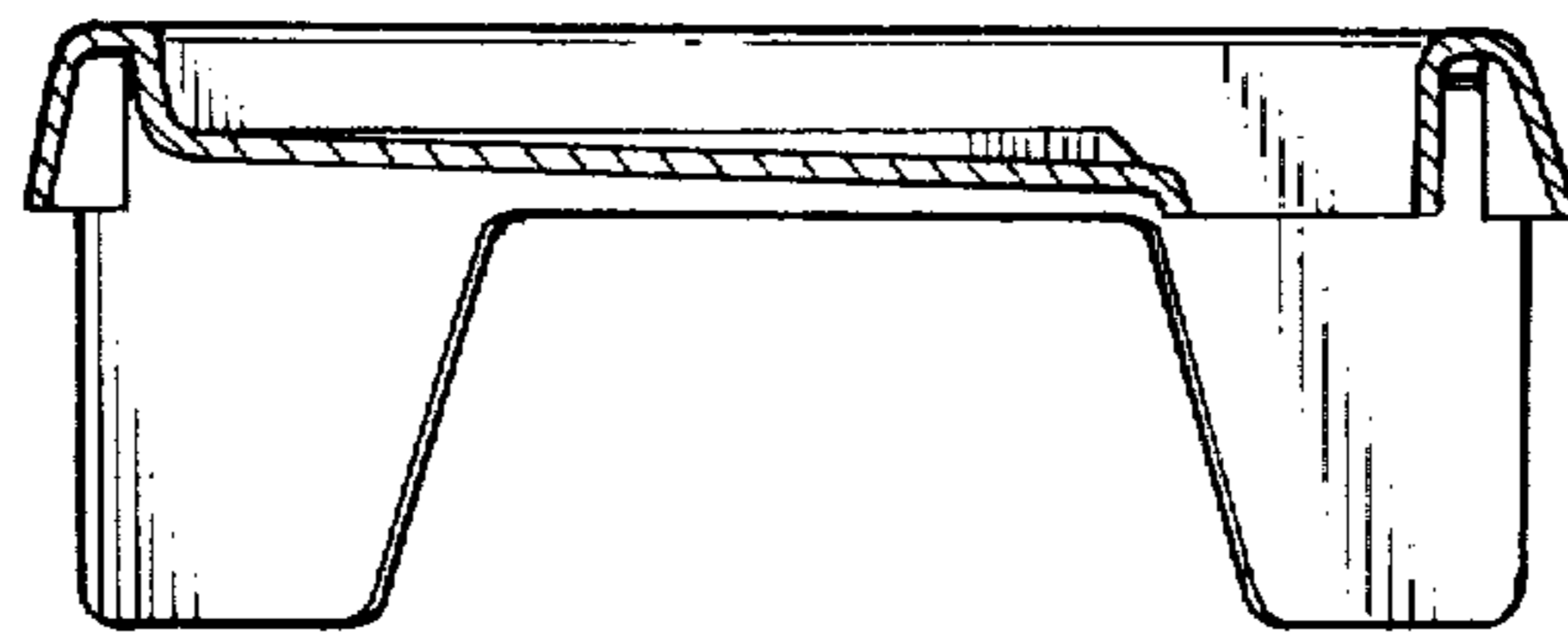
**FIG. 4**



**FIG. 5**



**FIG. 6**



**FIG. 7**