

[54] COMBINED SWING FOR INFANT AND REMOVABLE CANOPY THEREFOR

[75] Inventor: Albert W. Gebhard, Denver, Colo.

[73] Assignee: Gerico, Inc., Denver, Colo.

[\*\*] Term: 14 Years

[21] Appl. No.: 59,609

[22] Filed: Jul. 23, 1979

[51] Int. Cl. .... D6-05

[52] U.S. Cl. .... D6/4; D6/10; D6/54

[58] Field of Search ..... D6/7-15, D6/52, 53, 54; 297/184

[56] References Cited

U.S. PATENT DOCUMENTS

D. 122,073	8/1940	Castelli	.....	D6/52
D. 228,433	9/1973	Saint	.....	D6/10 X
D. 248,518	7/1978	Huff	.....	D6/10
D. 250,861	1/1979	Boudreau et al.	.....	D6/10
2,161,658	6/1939	Hansburg	.....	297/184 X

Primary Examiner—Bruce W. Dunkins

Attorney, Agent, or Firm—John E. Reilly

[57] CLAIM

The ornamental design for a combined swing for infant and removable canopy therefor, as shown and described.

DESCRIPTION

FIG. 1 is a front perspective view of a combined swing for infant and removable canopy therefor showing the design of my invention;

FIG. 2 is a front elevational view of my swing with the canopy attached;

FIG. 3 is a rear elevational view of my swing with the canopy attached;

FIG. 4 is a right side elevational view with the canopy attached;

FIG. 5 is a top plan view of my swing with the canopy attached;

FIG. 6 is a left side elevational view of my swing with the canopy attached;

FIG. 7 is a bottom plan view of my swing with the canopy attached;

FIG. 8 is a front perspective view of the swing of FIG. 1 with the canopy removed;

FIG. 9 is a front elevational view of the swing of FIG. 1 with canopy removed;

FIG. 10 is a rear elevational view of the swing of FIG. 1 with canopy removed;

FIG. 11 is a right side elevational view of the swing of FIG. 1 with canopy removed;

FIG. 12 is a top plan view of the swing of FIG. 1 with canopy removed;

FIG. 13 is a left side elevational view of the swing of FIG. 1 with canopy removed; and

FIG. 14 is a bottom plan view of the swing of FIG. 1 with canopy removed.



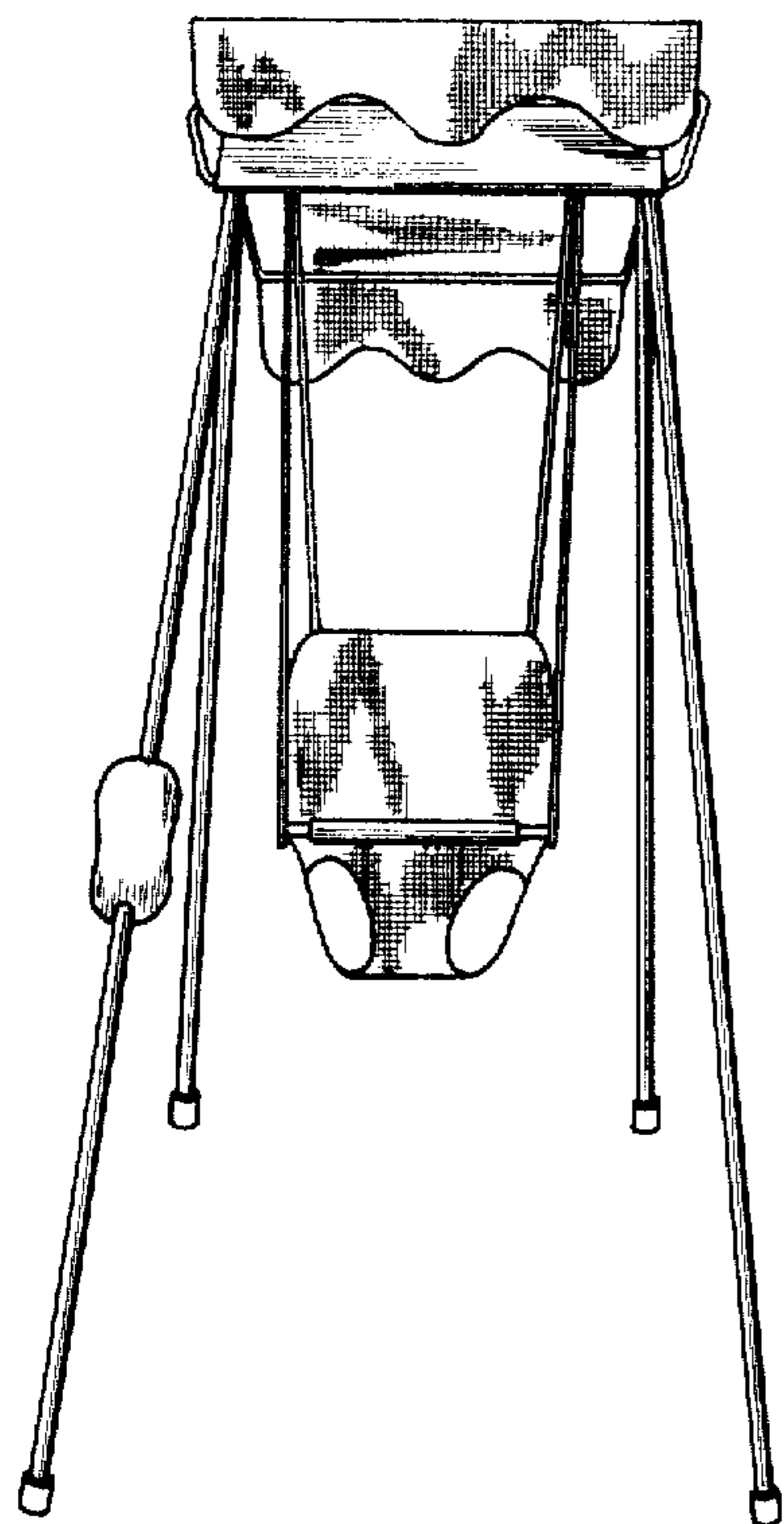


FIG 2

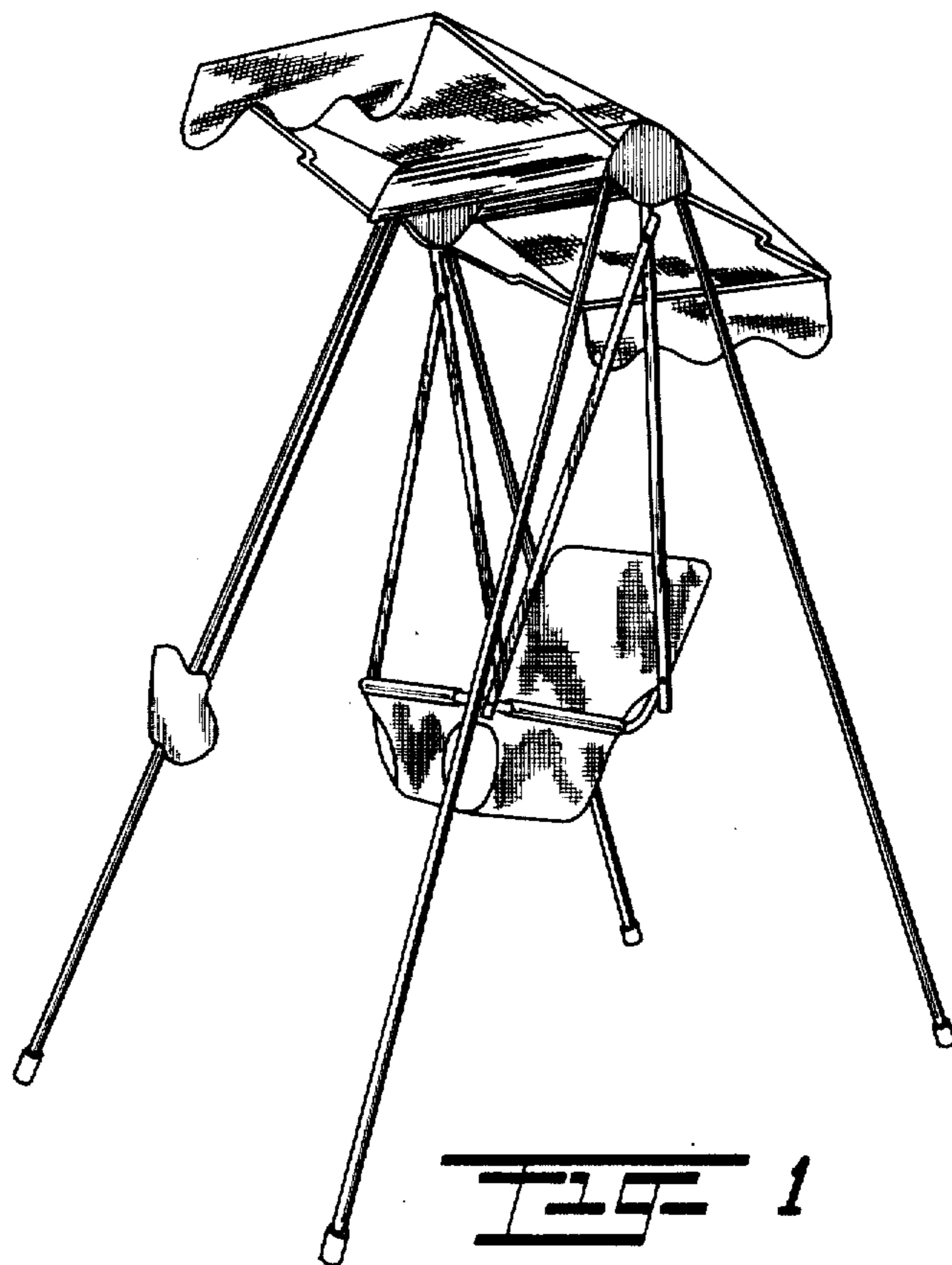


FIG 1

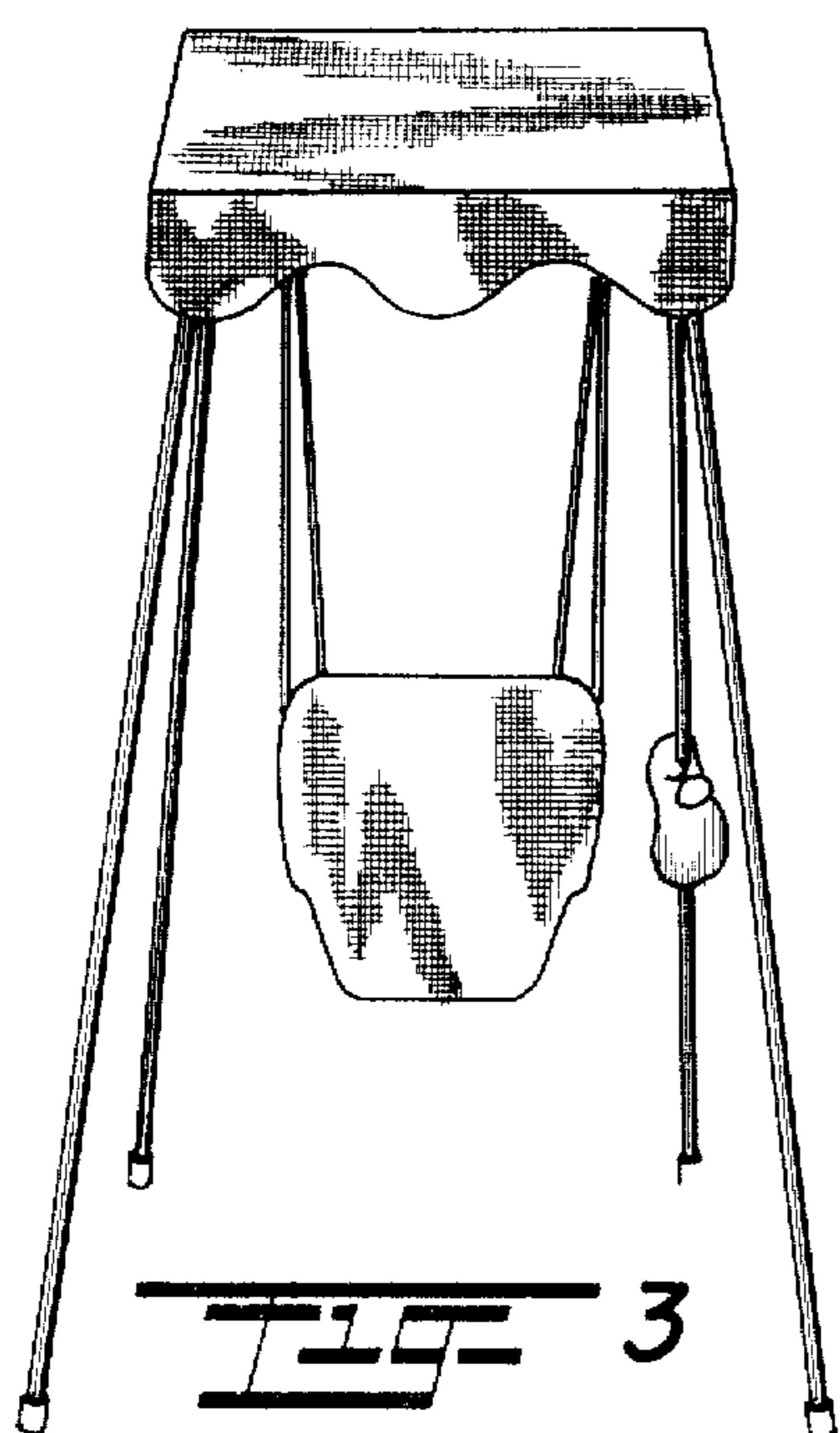


FIG 3

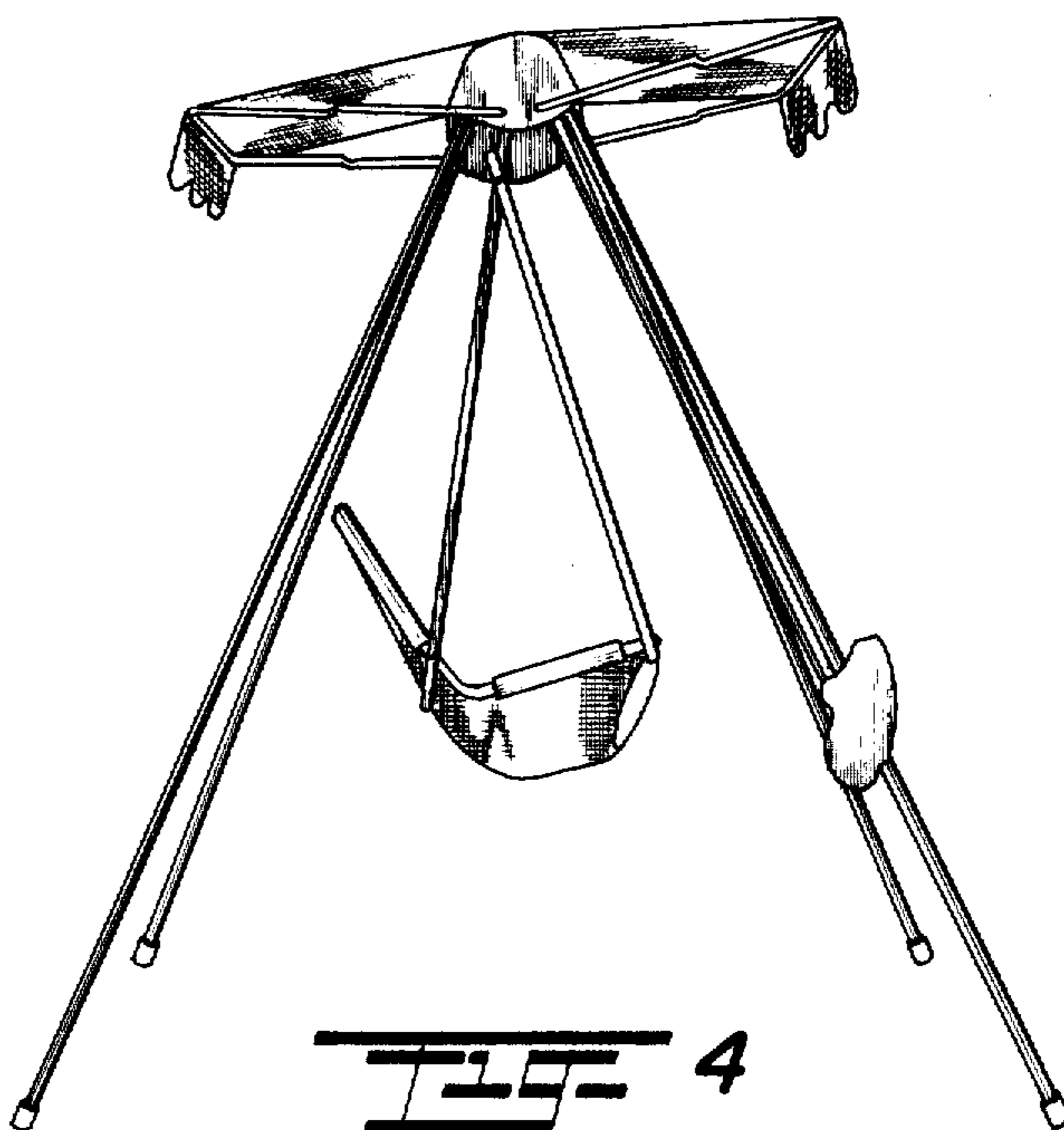
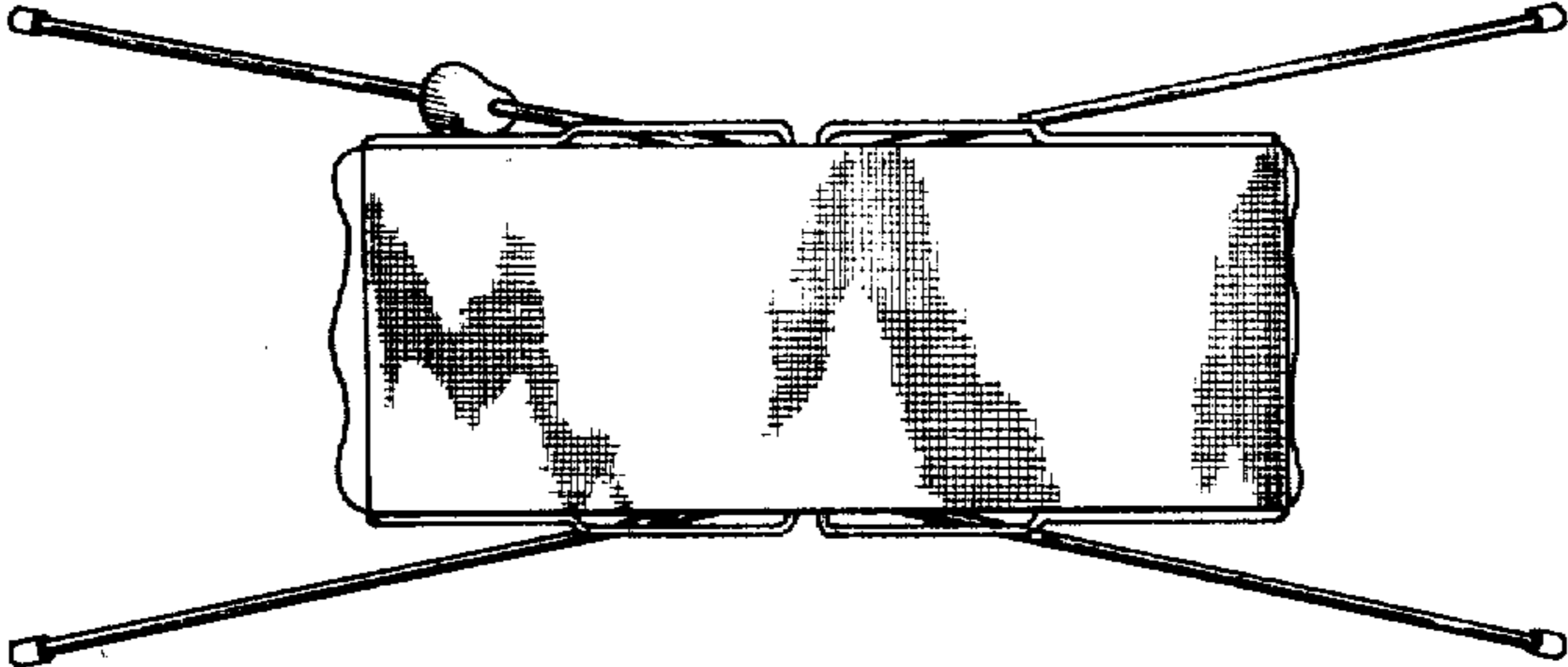
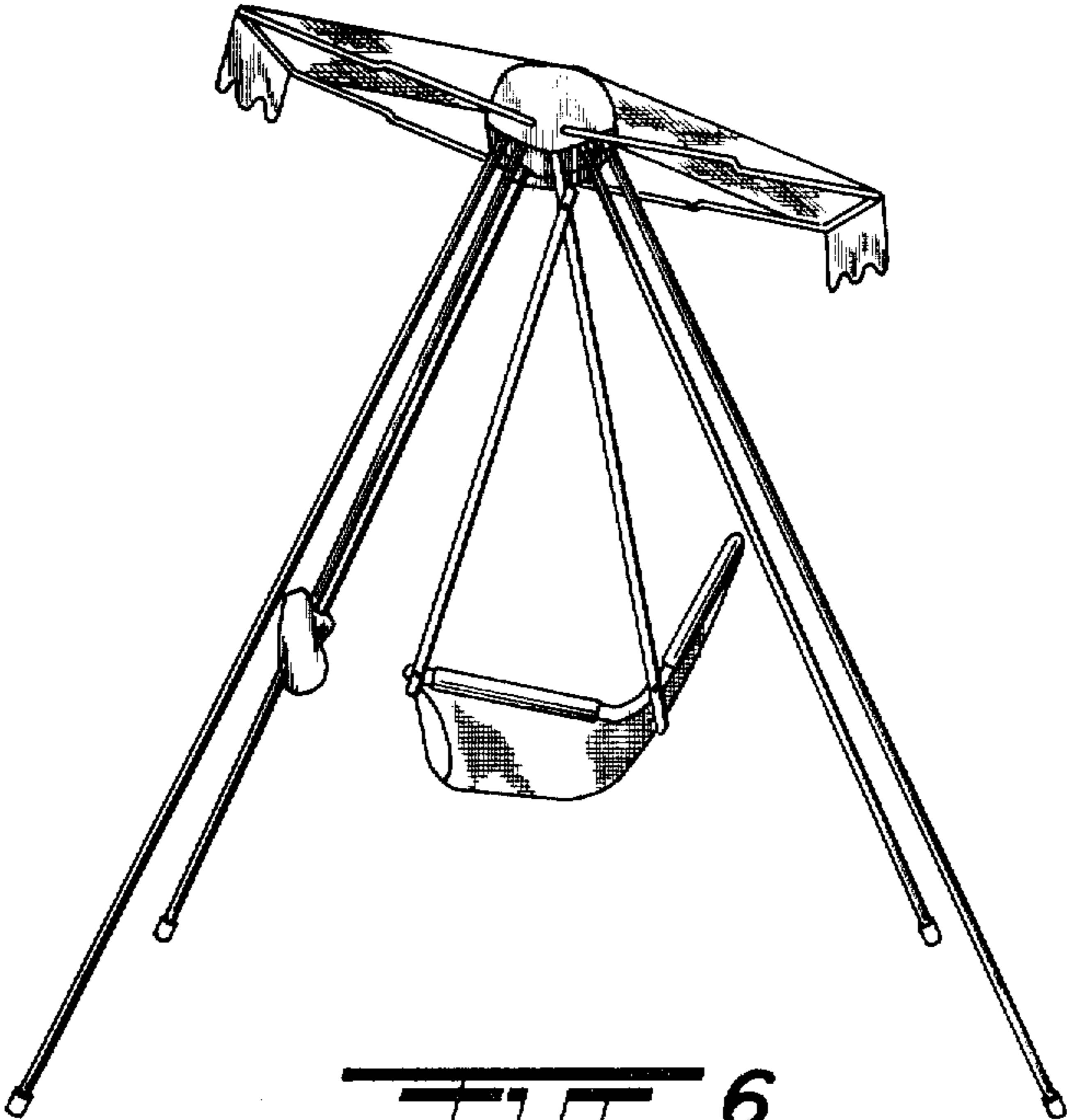


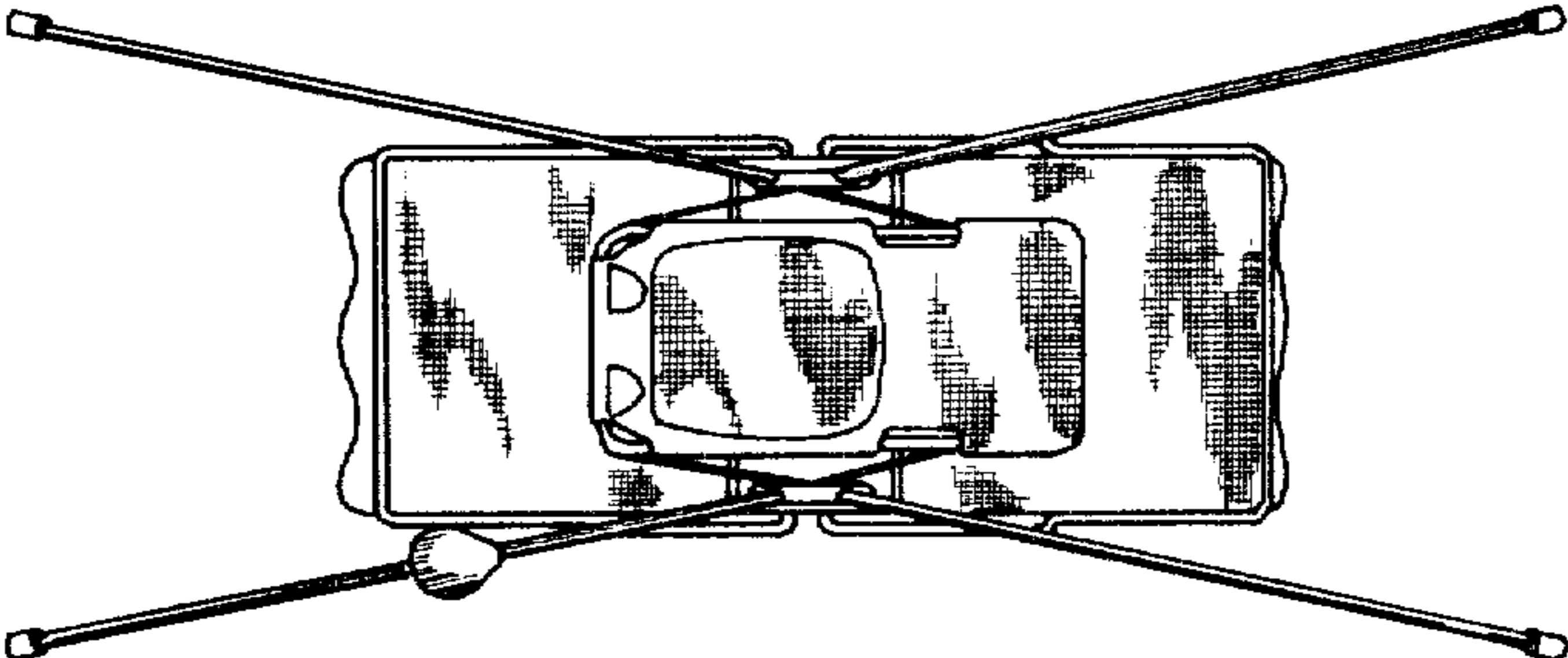
FIG 4



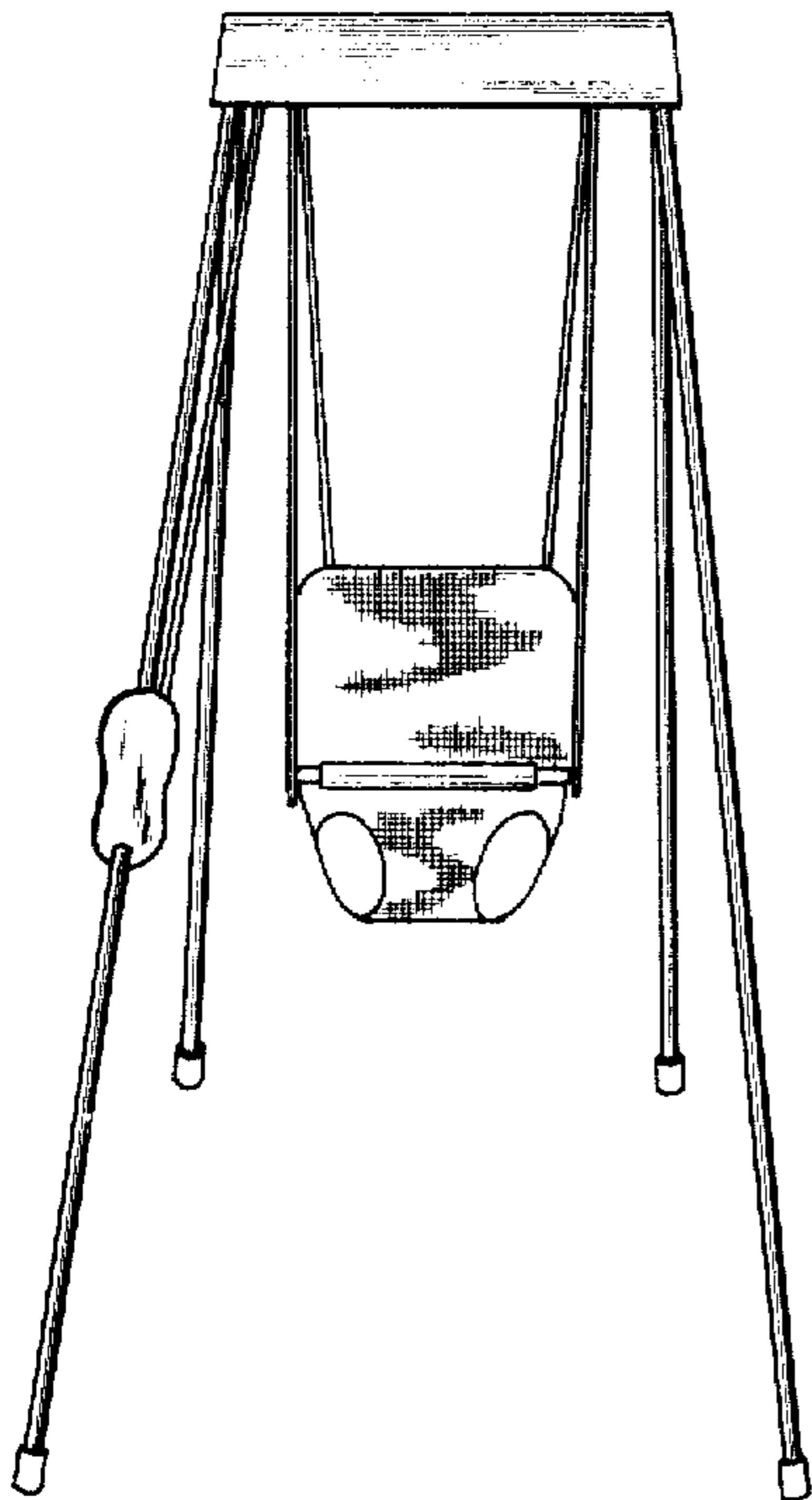
**FIG 5**



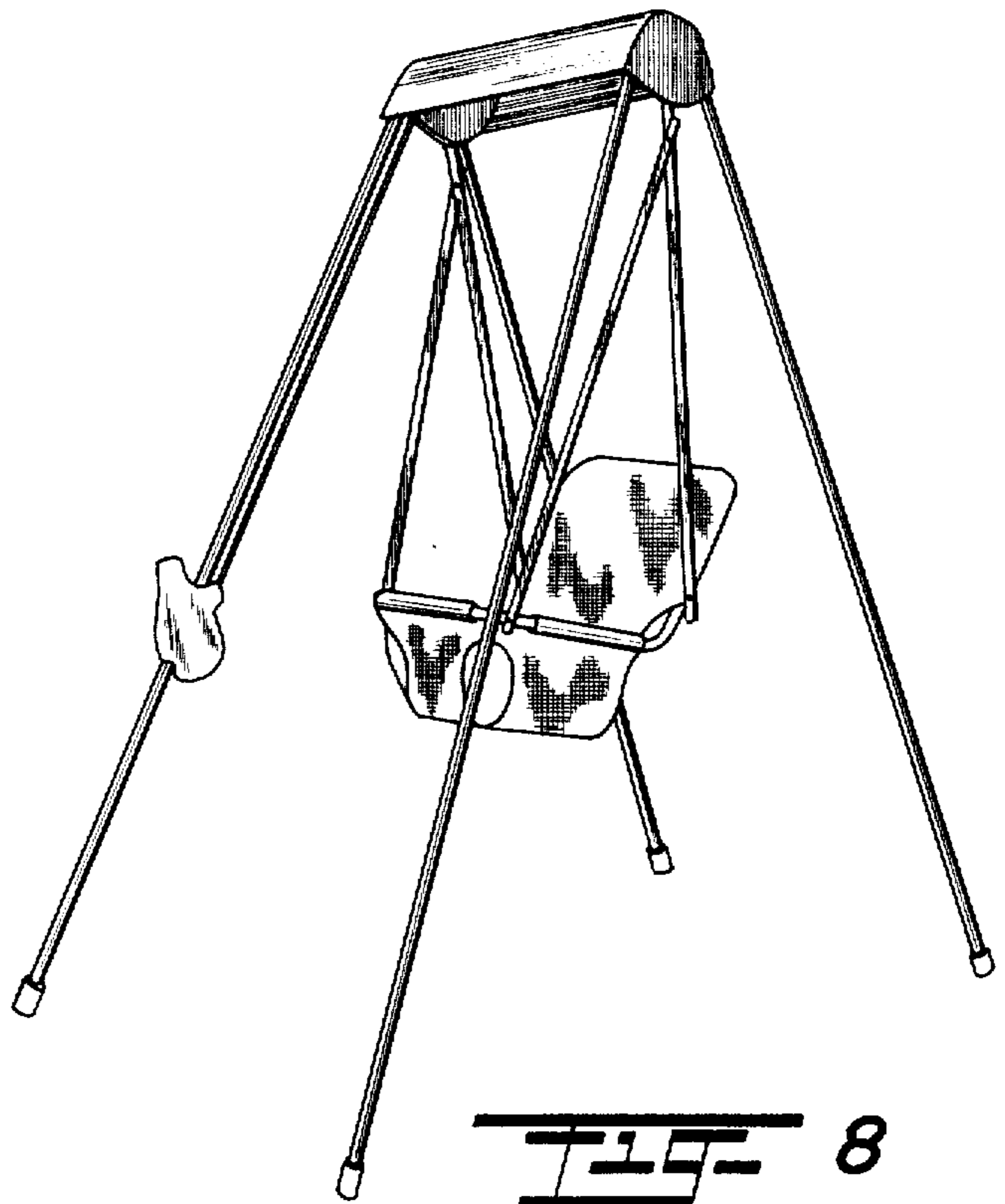
**FIG 6**



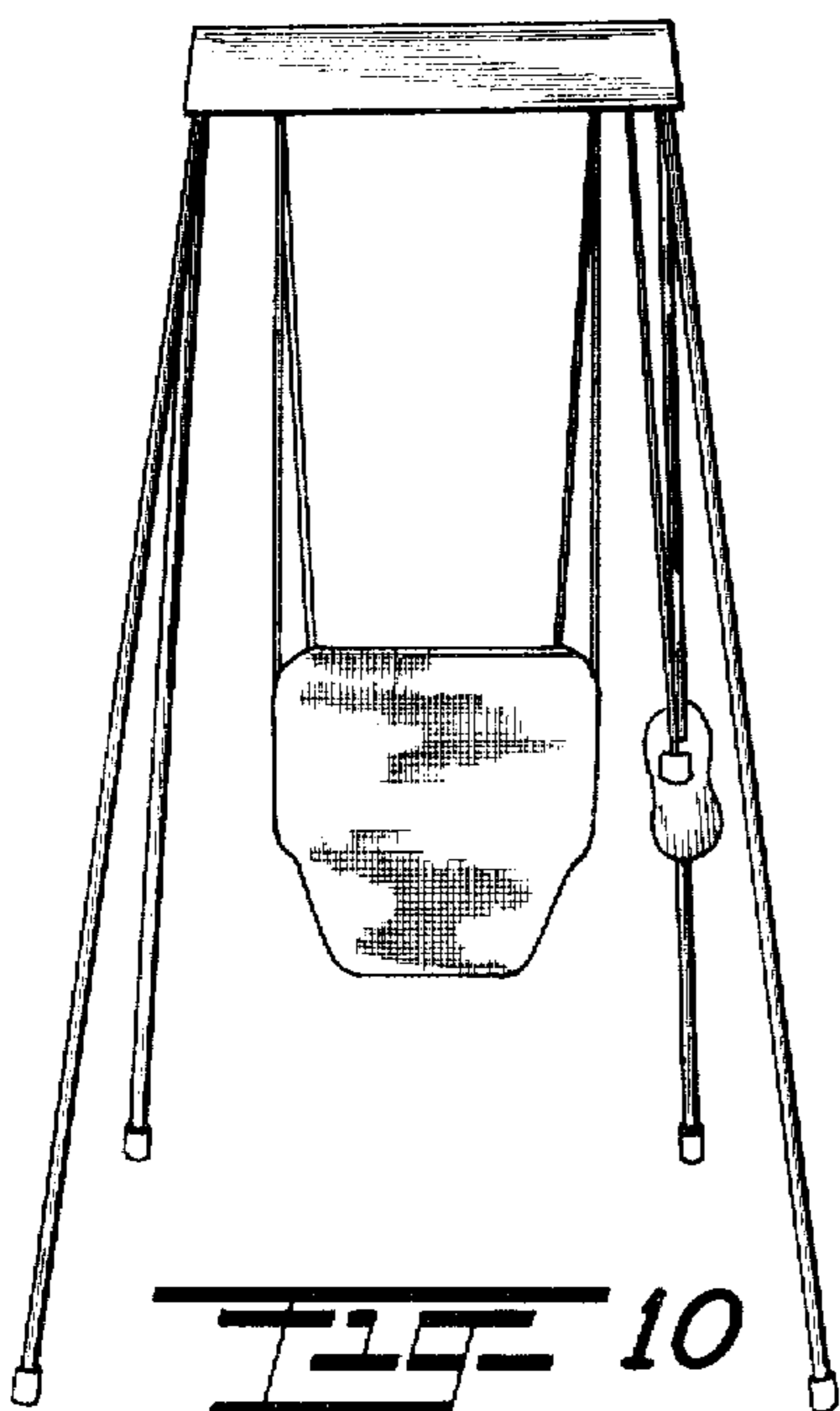
**FIG 7**



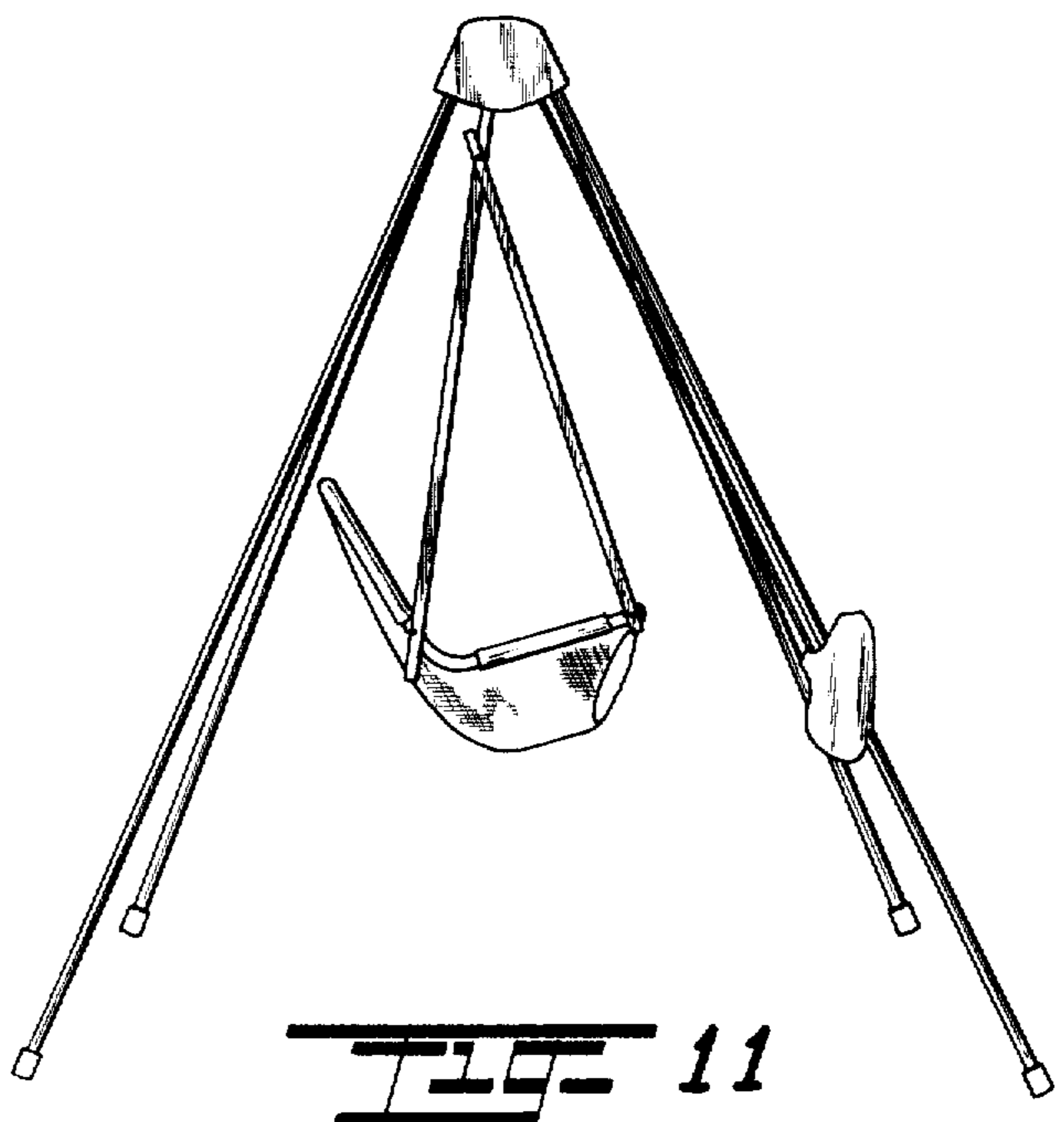
**FIG- 9**



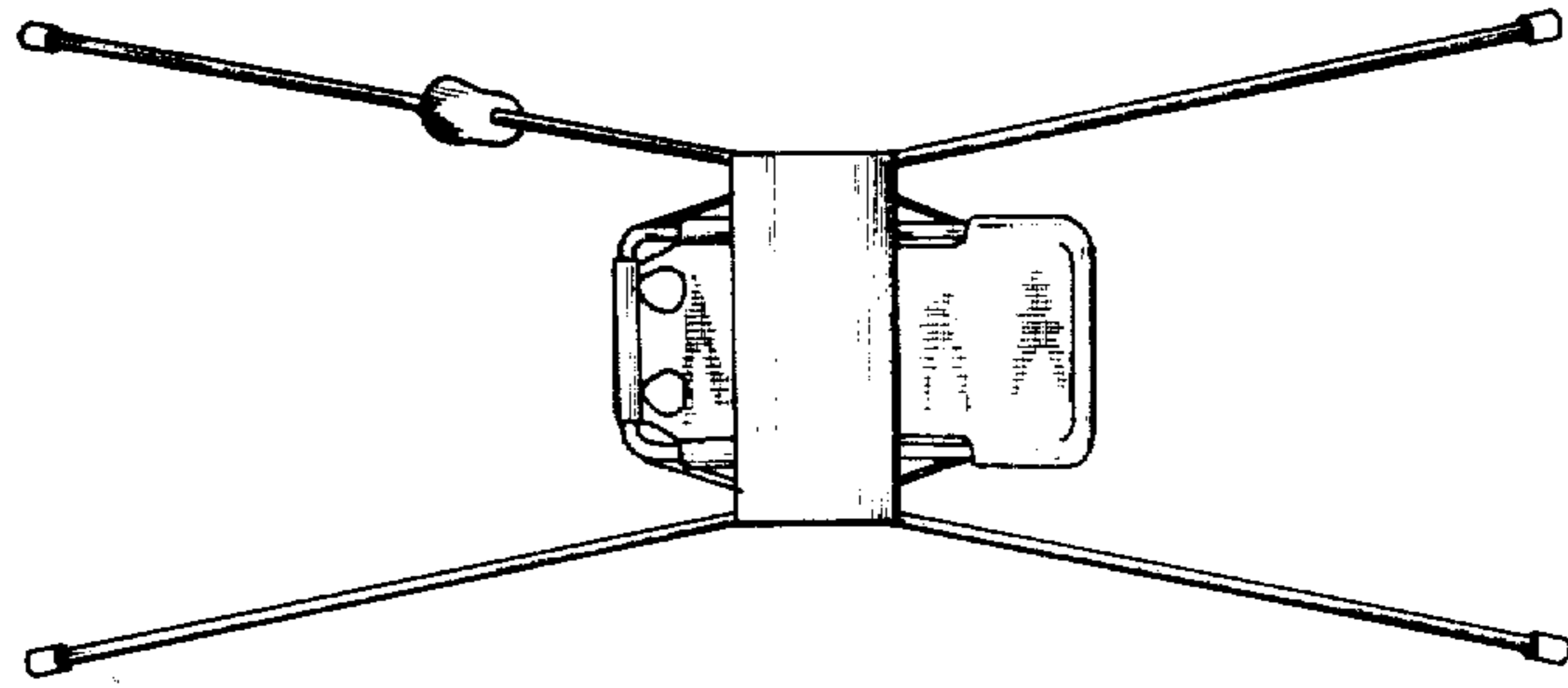
**FIG- 8**



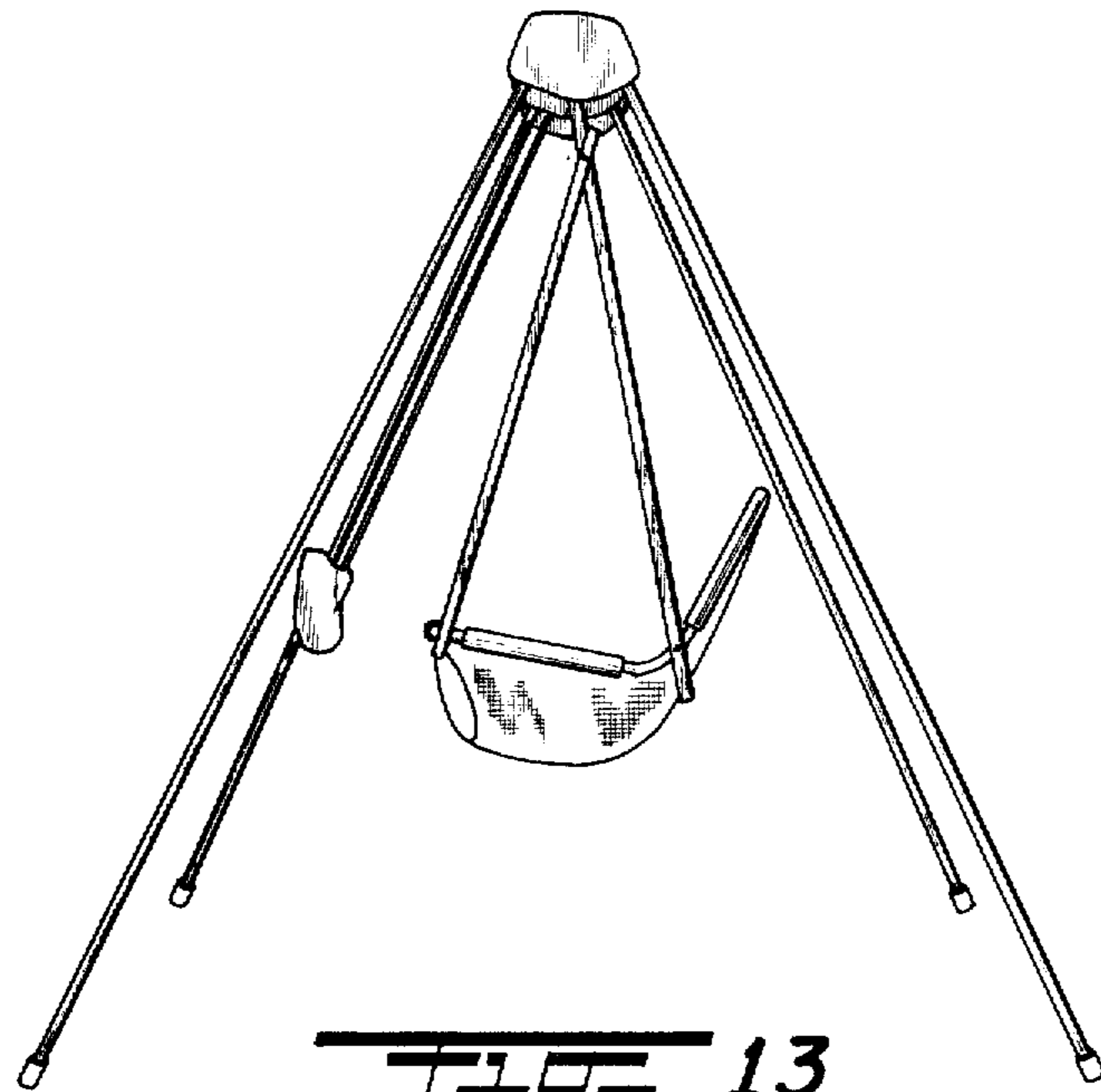
**FIG- 10**



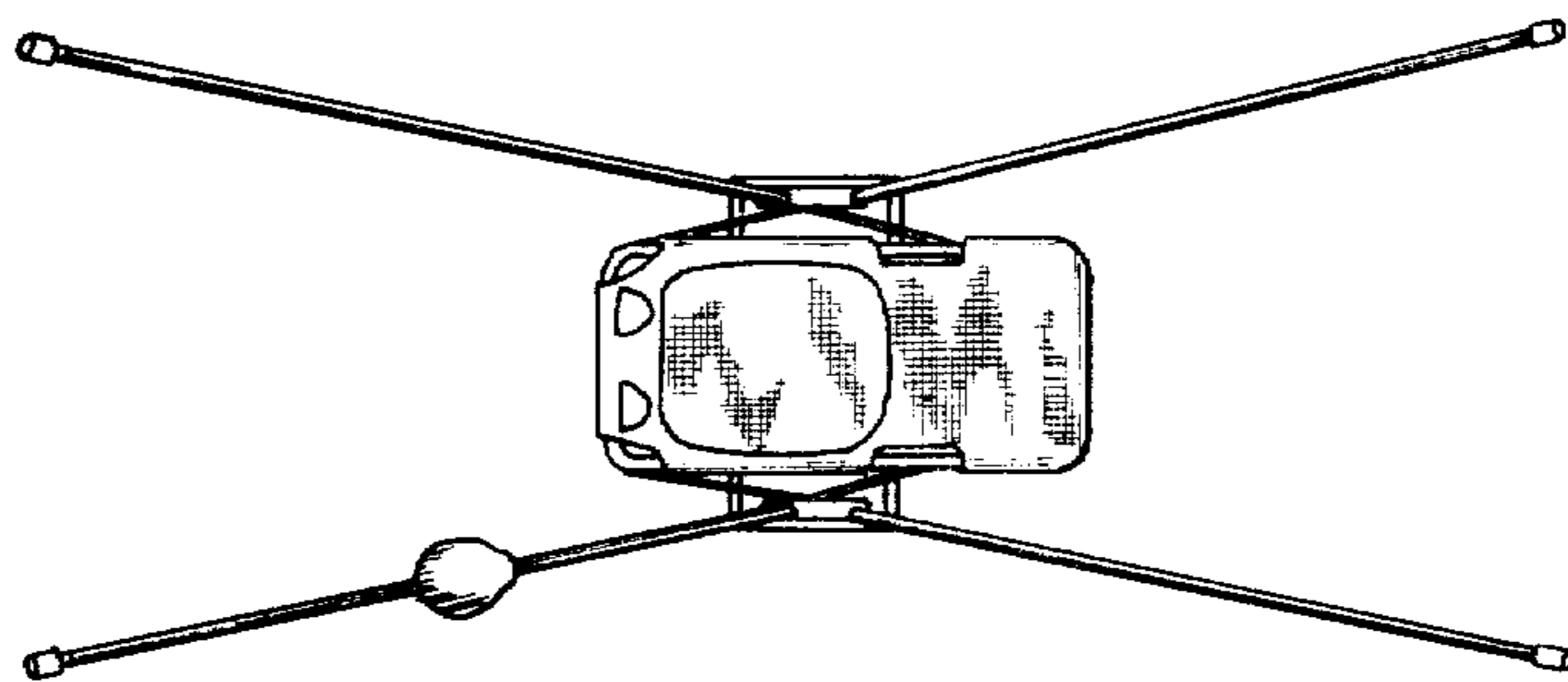
**FIG- 11**



**FIG 12**



**FIG 13**



**FIG 14**