

[54] PRINT FILE BOX

[76] Inventor: Miller Outcalt, 2036 Broadway, Santa Monica, Calif. 90404

[**] Term: 3 1/2 Years

[21] Appl. No.: 150,316

[22] Filed: May 16, 1980

[51] Int. Cl. D3-02

[52] U.S. Cl. D3/35; D3/74; D3/79; D19/76; D19/90

[58] Field of Search D3/30, 33, 35, 74, 78; D19/75, 76, 78, 90; 206/316, 425, 561, 22; 220/334

[56] References Cited

U.S. PATENT DOCUMENTS

D. 180,450	6/1957	Mills	D3/78
1,998,481	4/1935	Yoder	206/561
2,701,635	2/1955	Mills	206/425
2,864,491	12/1958	Paterson	206/316

3,164,430 1/1965 Beem et al. 206/425

OTHER PUBLICATIONS

Lit-Ning Products Co. Cat., 1970, p. 2, Item No. 5230.

Primary Examiner—George P. Word
Attorney, Agent, or Firm—Fulwider, Patton, Rieber, Lee & Utecht

[57] CLAIM

The ornamental design for a print file box, substantially as shown and described.

DESCRIPTION

FIG. 1 is a perspective view of a print file box showing my new design;
FIG. 2 is a right side elevational view thereof;
FIG. 3 is a rear elevational view thereof;
FIG. 4 is a bottom plan view thereof;
FIG. 5 is a cross-sectional view taken along line 5-5 of FIG. 1 showing the upstanding partitions and sloping bottom; and
FIG. 6 is a perspective view similar to FIG. 1 with the cover raised.

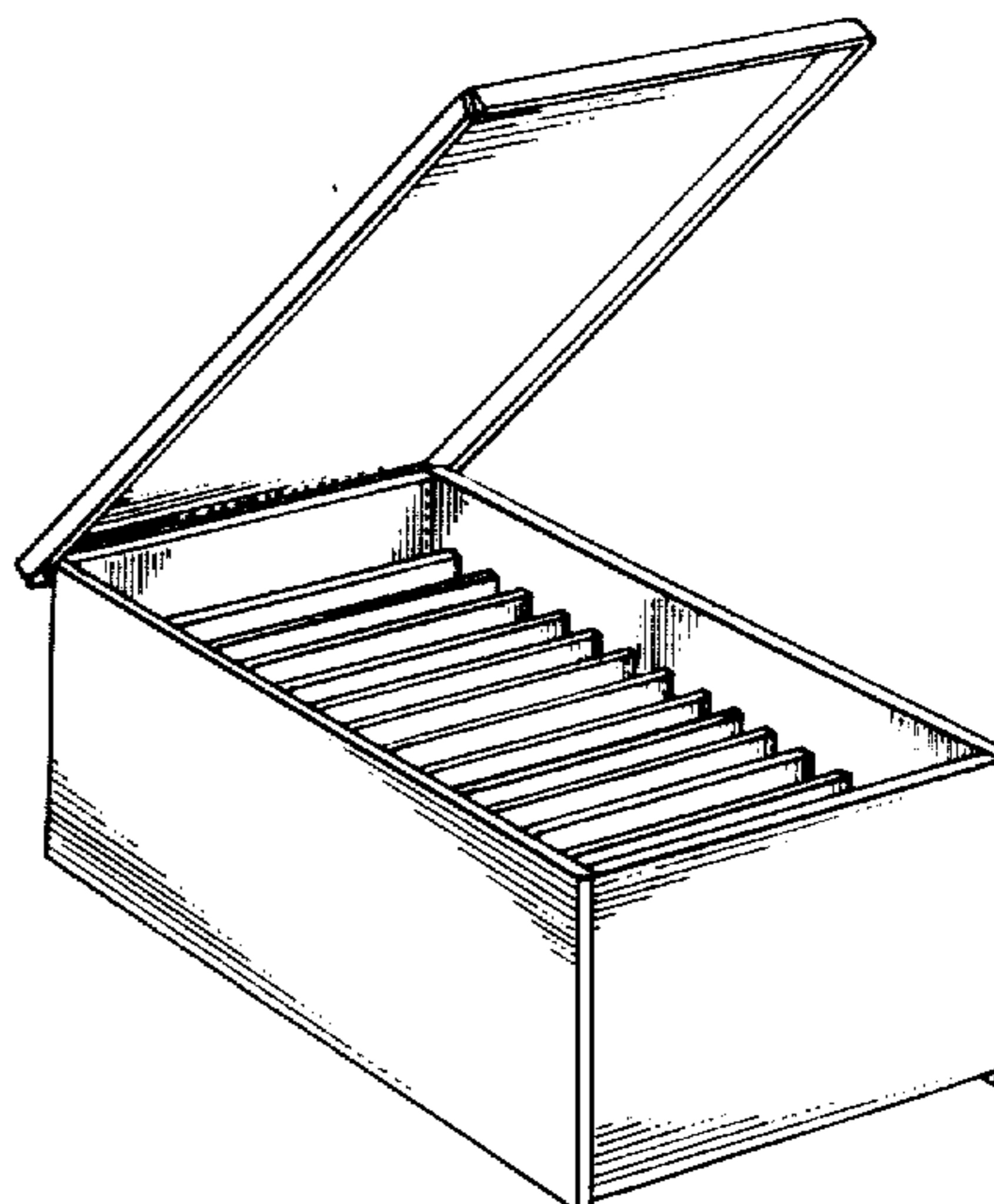
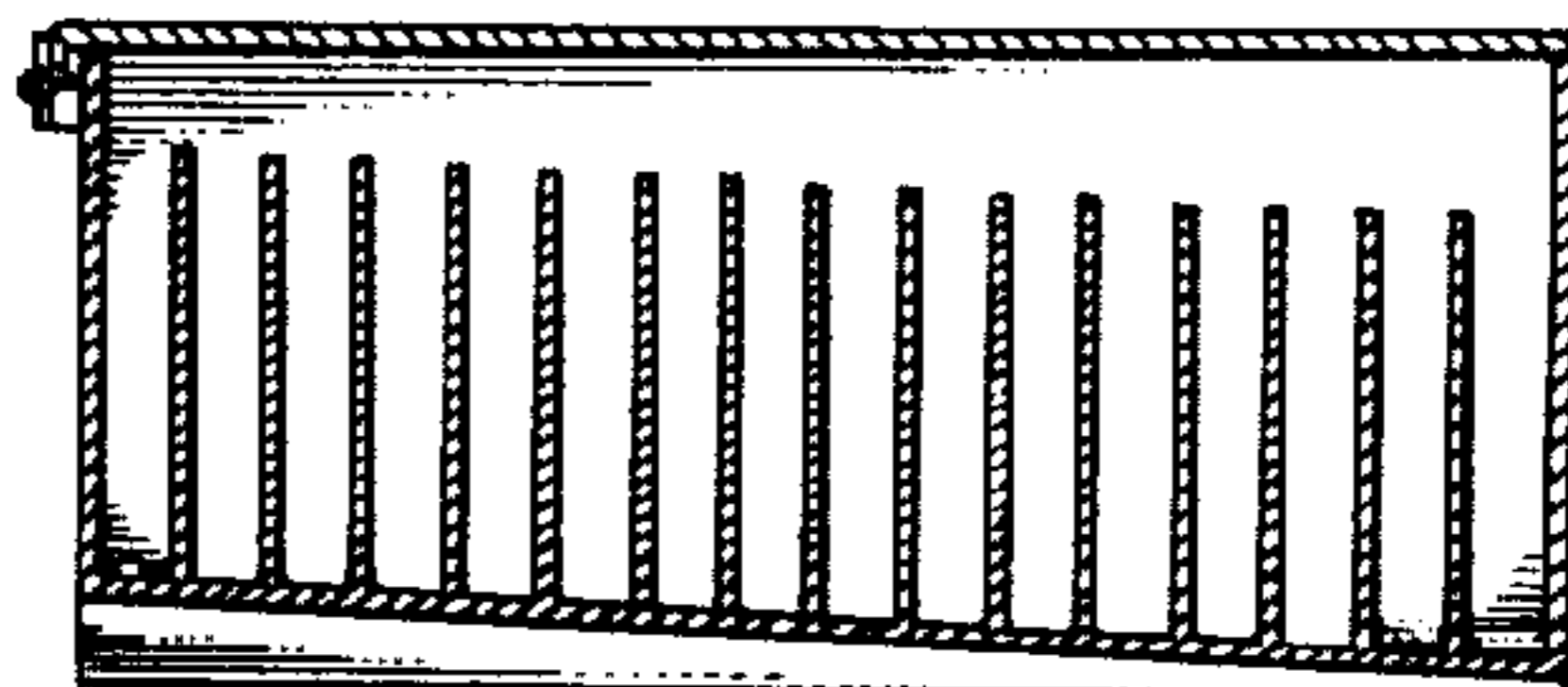
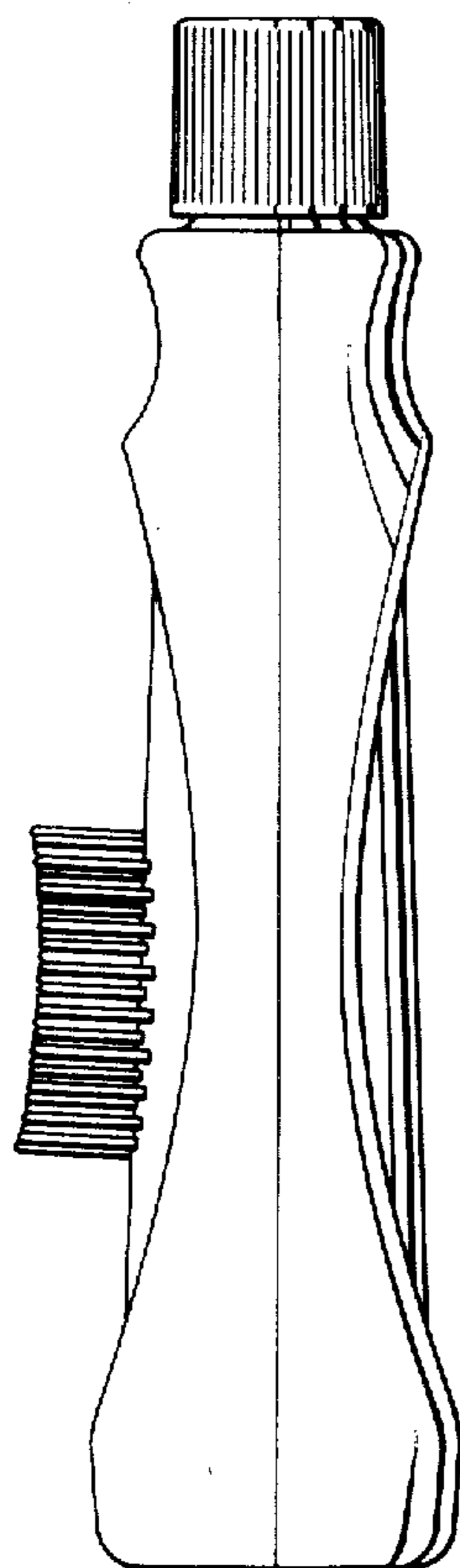


FIG. 1.

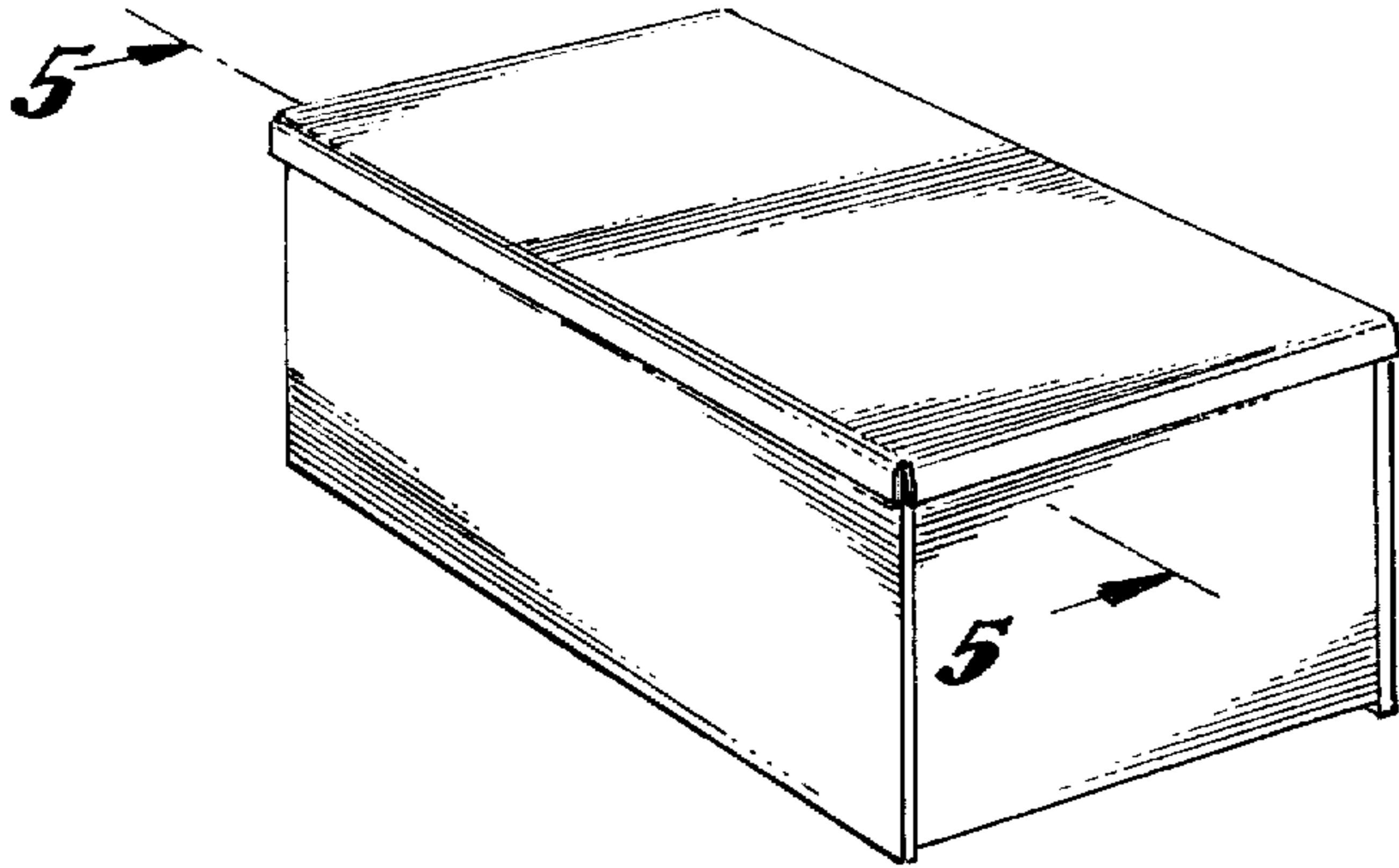


FIG. 3.

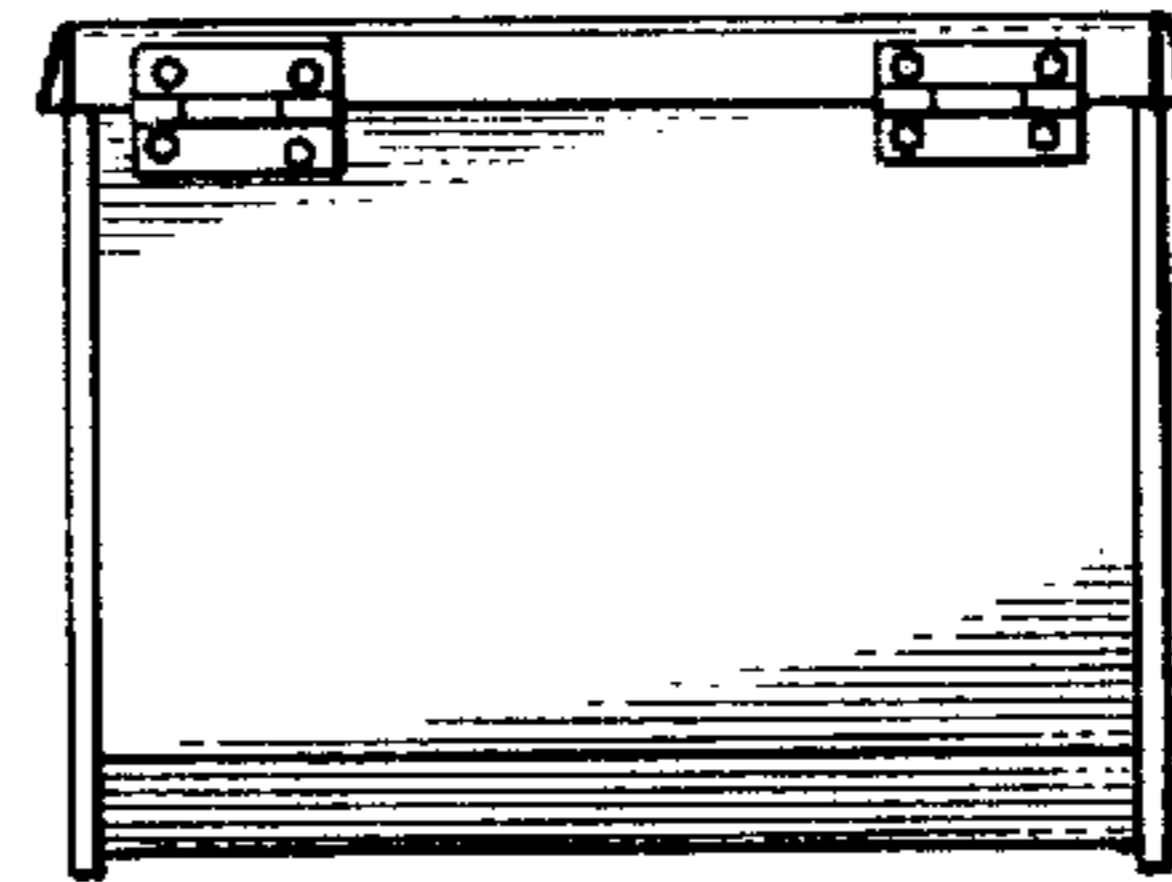


FIG. 5.

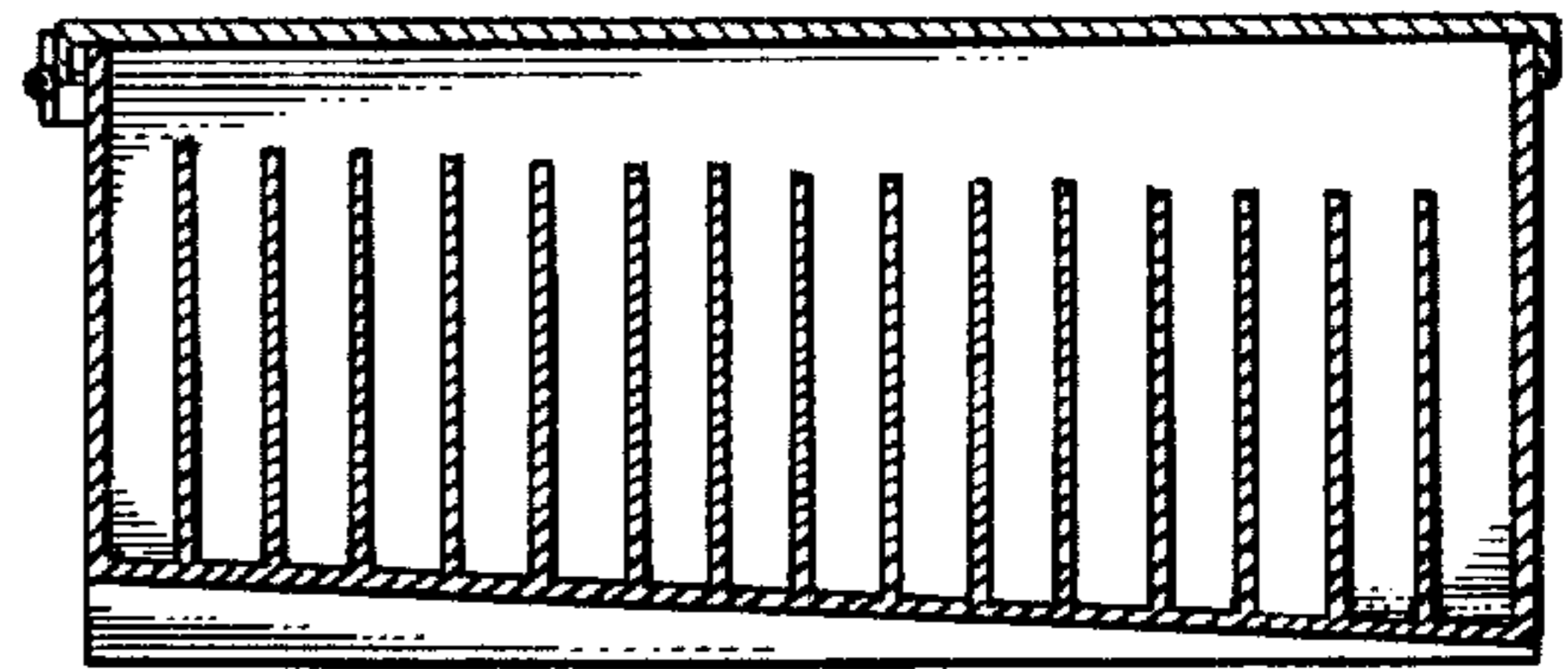


FIG. 2.

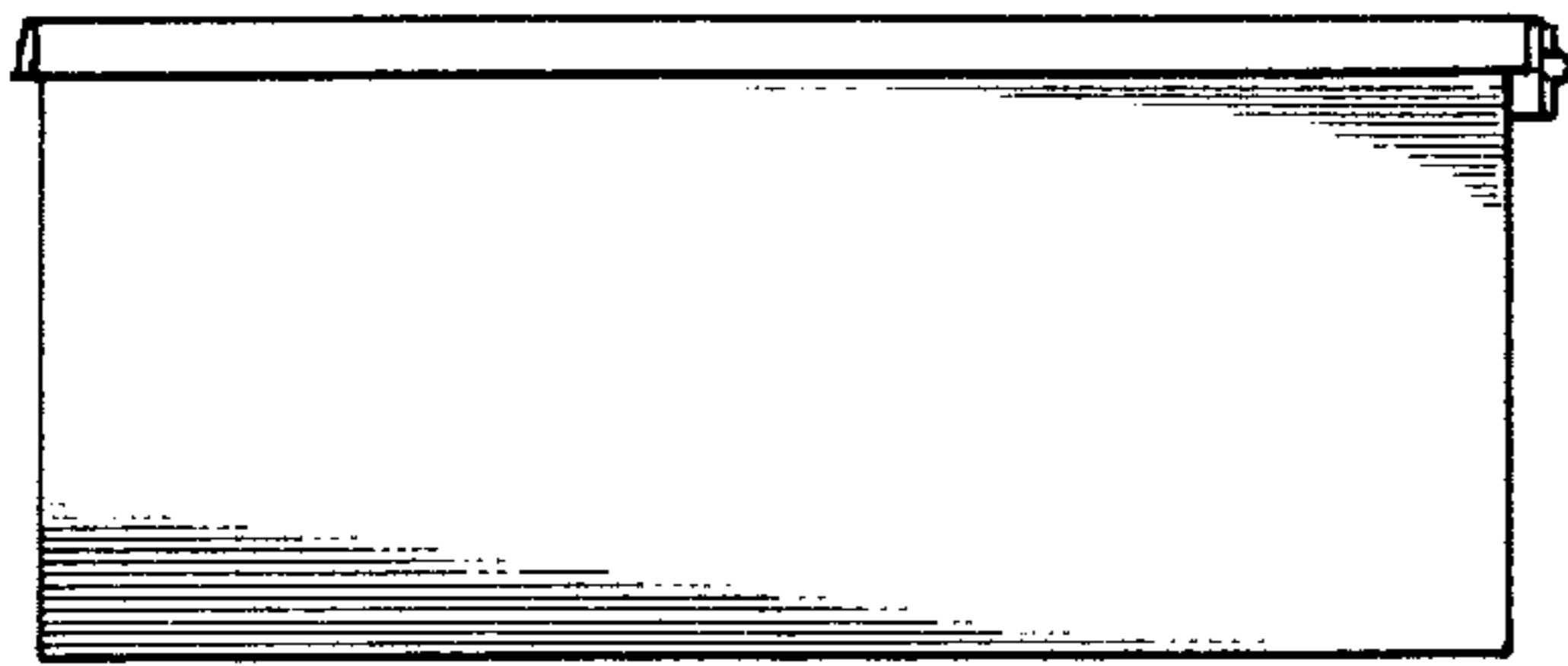


FIG. 6.

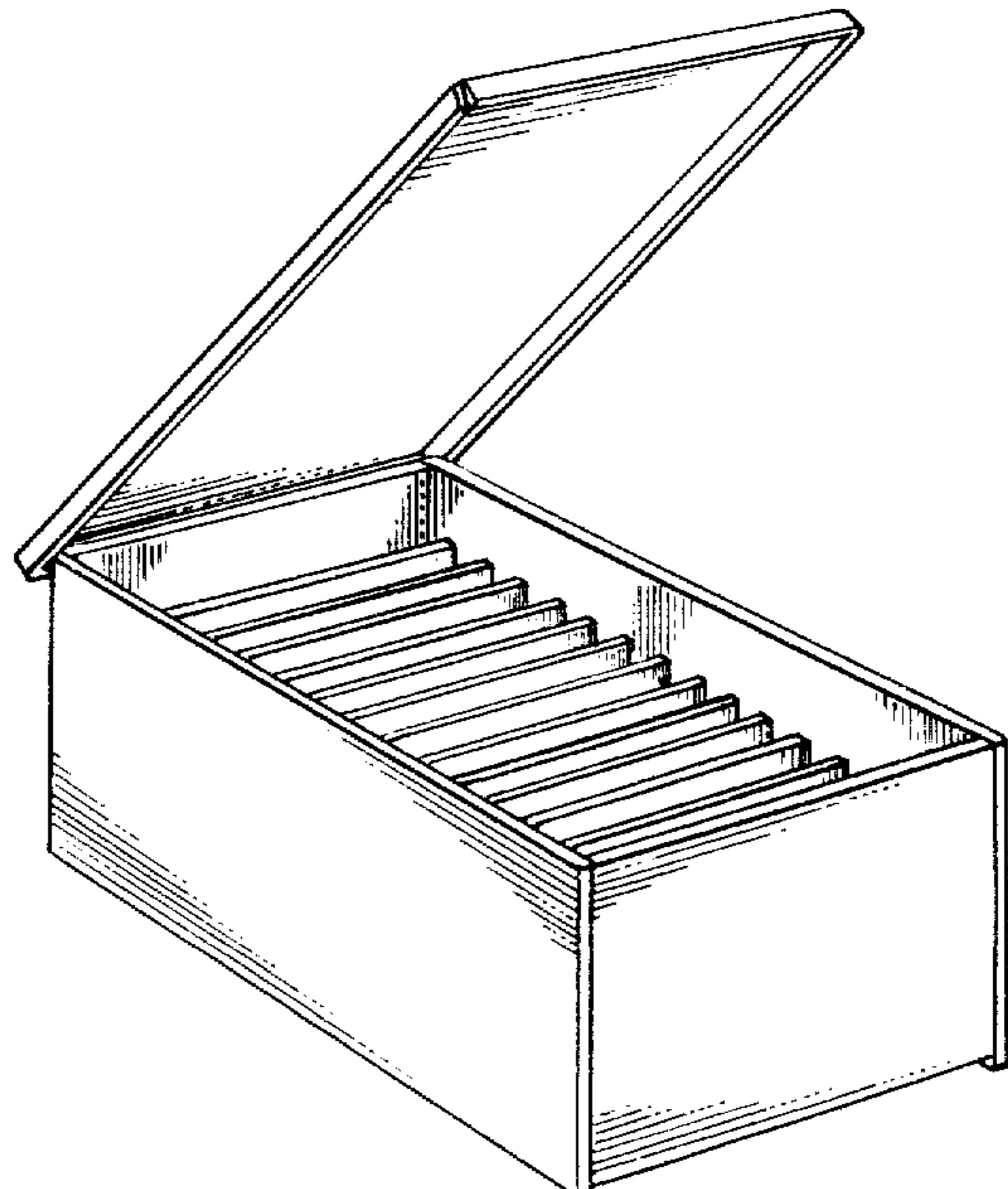


FIG. 4.

