

[54] **SWIM GOGGLES**

[75] **Inventor: Simon C. Fireman, Quincy, Mass.**

[73] **Assignee: Aqua-Leisure Industries, Inc., Avon, Mass.**

[**] **Term: 14 Years**

[21] **Appl. No.: 111,582**

[22] **Filed: Jan. 14, 1980**

[51] **Int. Cl. D2-03**

[52] **U.S. Cl. D2/234**

[58] **Field of Search D2/234; D16/51, 52, D16/65; 2/12, 426, 427, 428, 431, 432, 435, 436, 439, 440, 442, 445, 452, 454**

[56] **References Cited**

U.S. PATENT DOCUMENTS

D. 243,482 3/1977 Fireman D2/234

FOREIGN PATENT DOCUMENTS

1004403 1/1977 Canada 2/440

Primary Examiner—Susan J. Lucas
Attorney, Agent, or Firm—James E. Mrose

[57] **CLAIM**

The ornamental design for swim goggles, substantially as shown.

DESCRIPTION

FIG. 1 is a perspective view of swim goggles showing my new design;
FIG. 2 is a front elevational view thereof;
FIG. 3 is a top view thereof, the bottom view being the same;
FIG. 4 is a rear elevational view thereof; and
FIG. 5 is a side elevational view thereof.

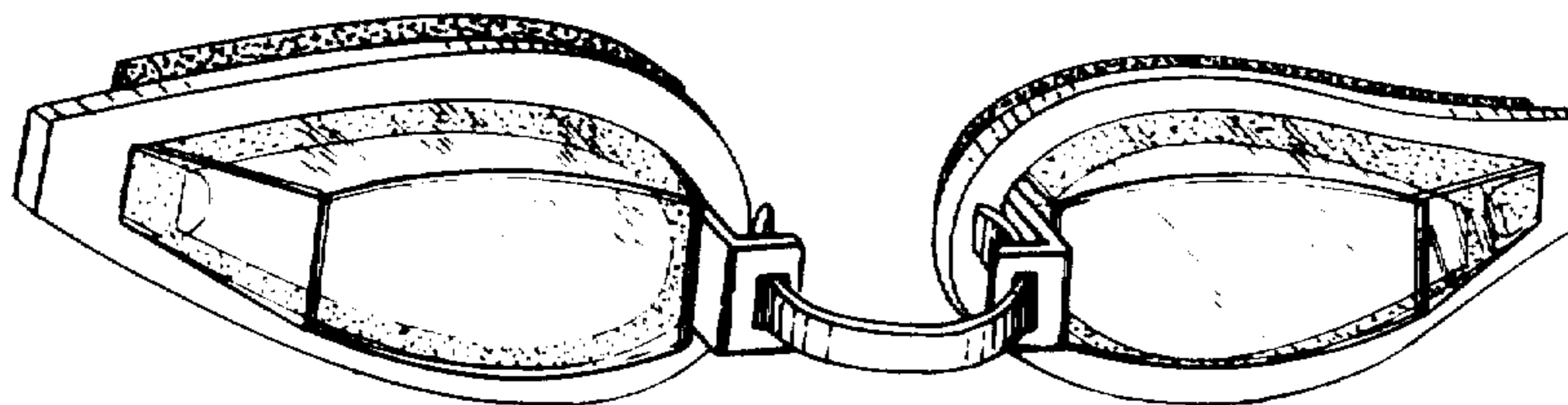


FIG. 1

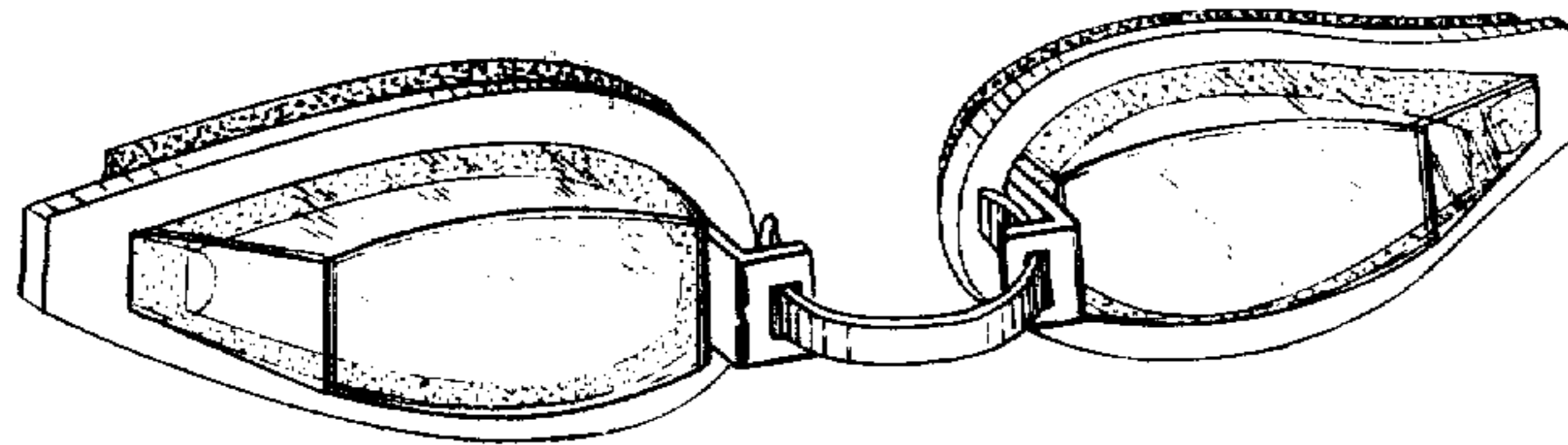


FIG. 2

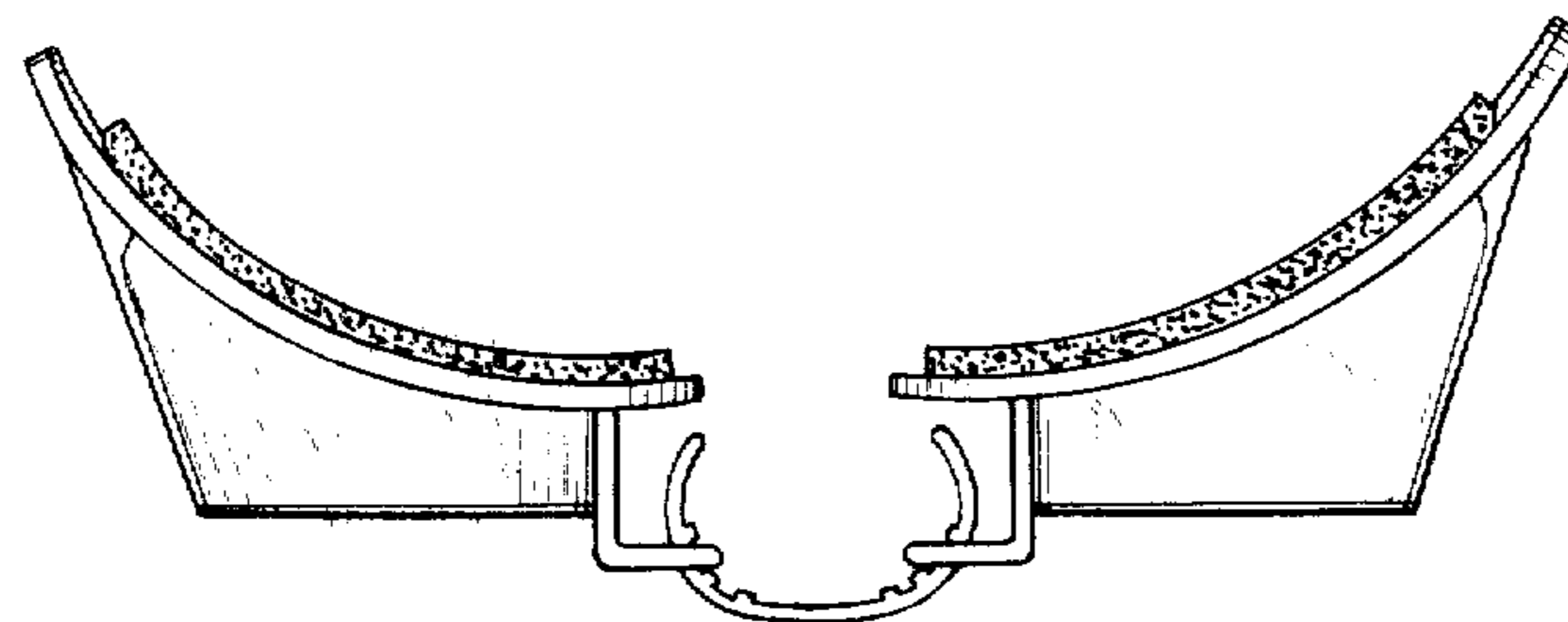
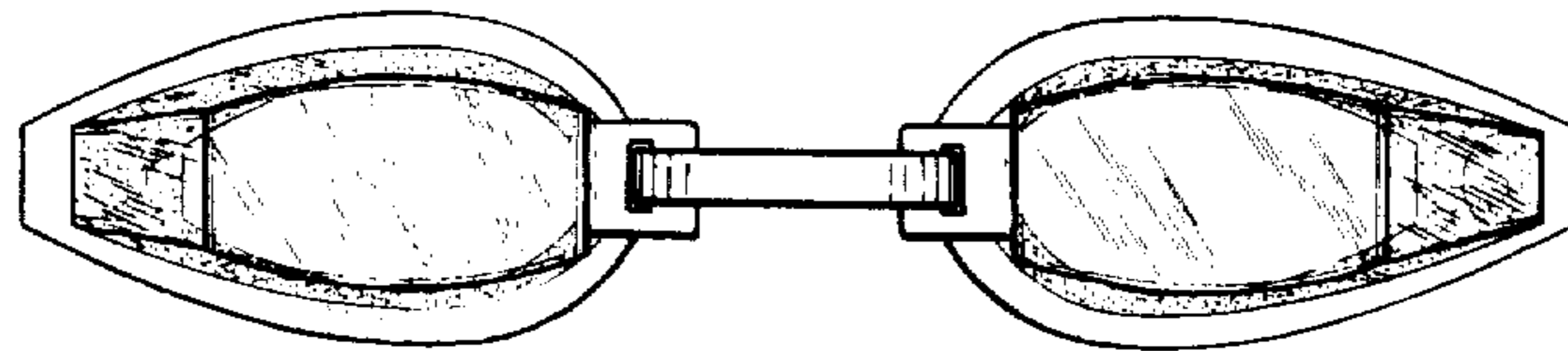


FIG. 3

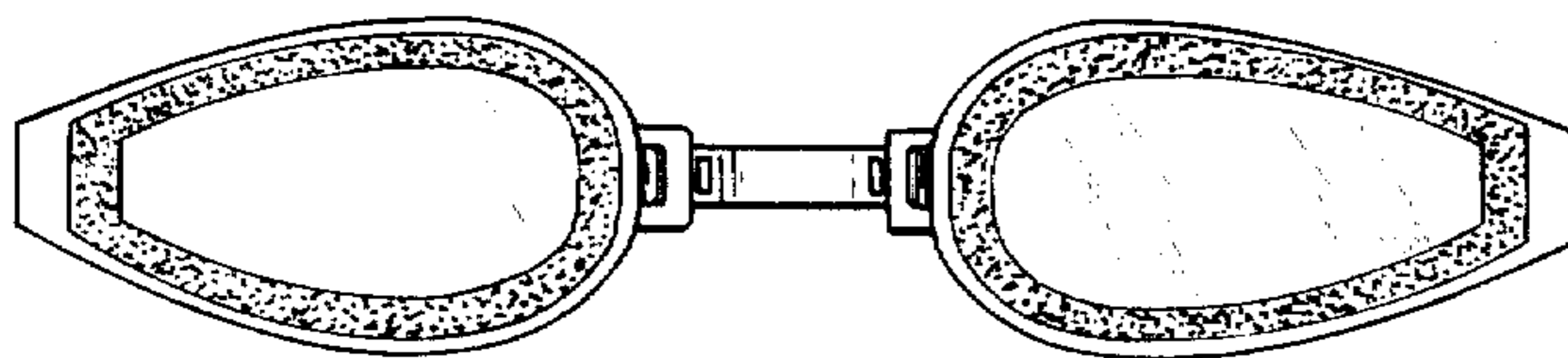


FIG. 4

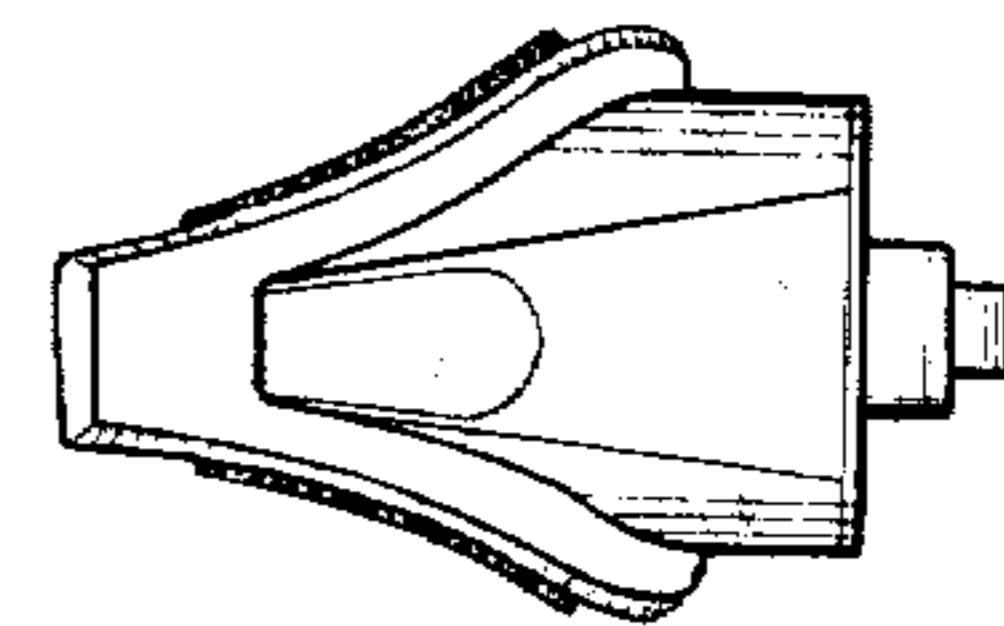


FIG. 5