

[54] HELMET FACE SHIELD MOUNTING BRACKET

[75] Inventor: Arne Hellberg, Gråbo, Sweden

[73] Assignee: Hellberg Protection Handelsbolag, Varberg, Sweden

[**] Term: 14 Years

[21] Appl. No.: 23,134

[22] Filed: Mar. 22, 1979

[30] Foreign Application Priority Data

Sep. 25, 1978 [SE] Sweden 782184

[51] Int. Cl. D02-03

[52] U.S. Cl. D2/233

[58] Field of Search D2/230, 231, 232, 233; 2/7, 8

[56] References Cited

U.S. PATENT DOCUMENTS

D. 250,067 10/1978 Land, Jr. D2/232

2,461,604 2/1949 Huntsman 2/8

Primary Examiner—Joel Stearman
Assistant Examiner—Carmen H. Vales
Attorney, Agent, or Firm—Holman & Stern

[57] CLAIM

The ornamental design for a helmet face shield mounting bracket, as shown and described.

DESCRIPTION

FIG. 1 is a perspective view of a helmet face shield mounting bracket showing my new design; the helmet and face shield depicted in broken lines for illustrative purposes only;

FIG. 2 is an enlarged front elevational view of the helmet face shield mounting bracket of FIG. 1;

FIG. 3 is a top plan view thereof;

FIG. 4 is a rear elevational view thereof;

FIG. 5 is a bottom plan view of FIG. 4; and

FIG. 6 is a left side elevational view of FIG. 2.

The right hand bracket is a mirror image of the left hand holder, except for the letter "R".

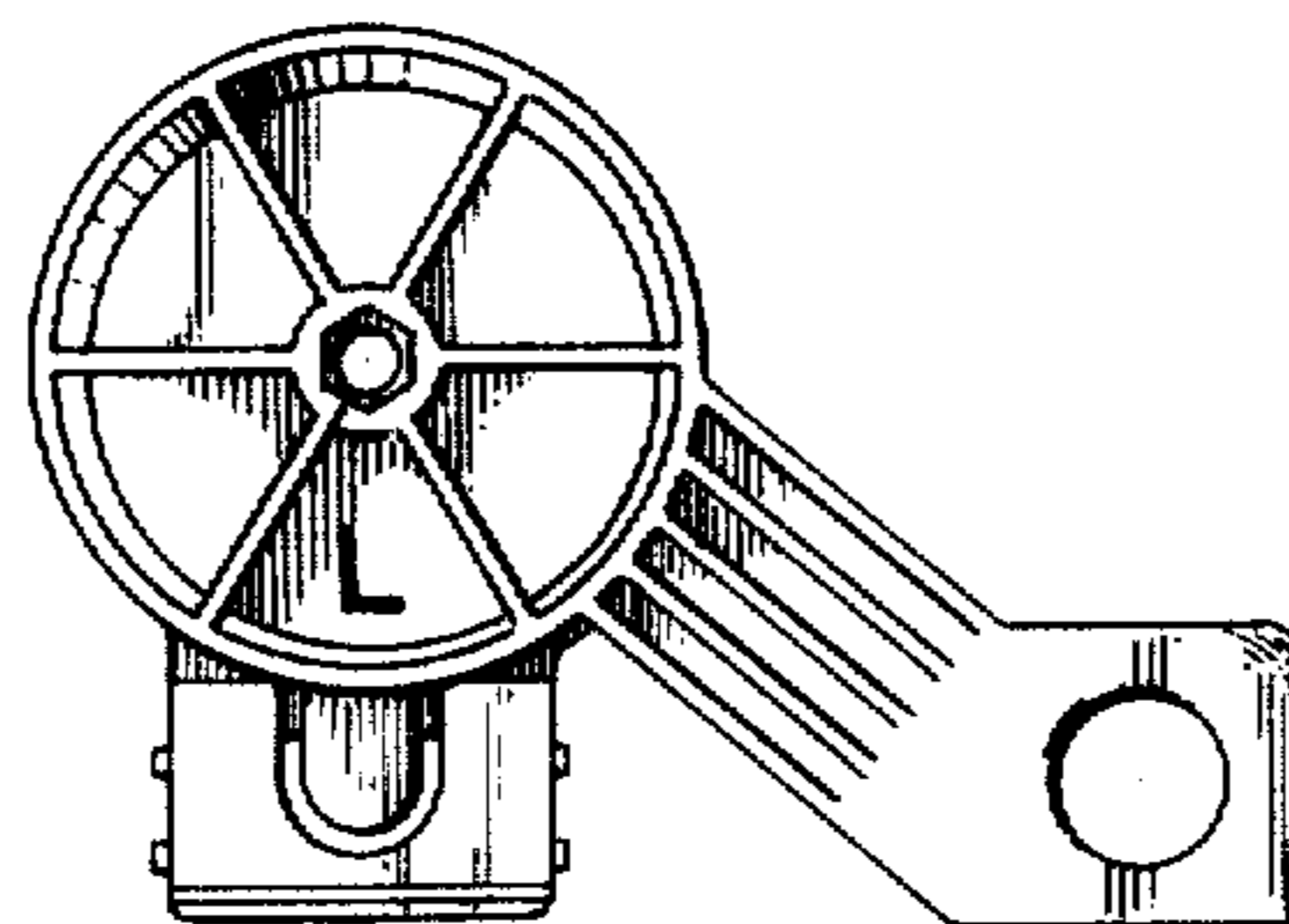
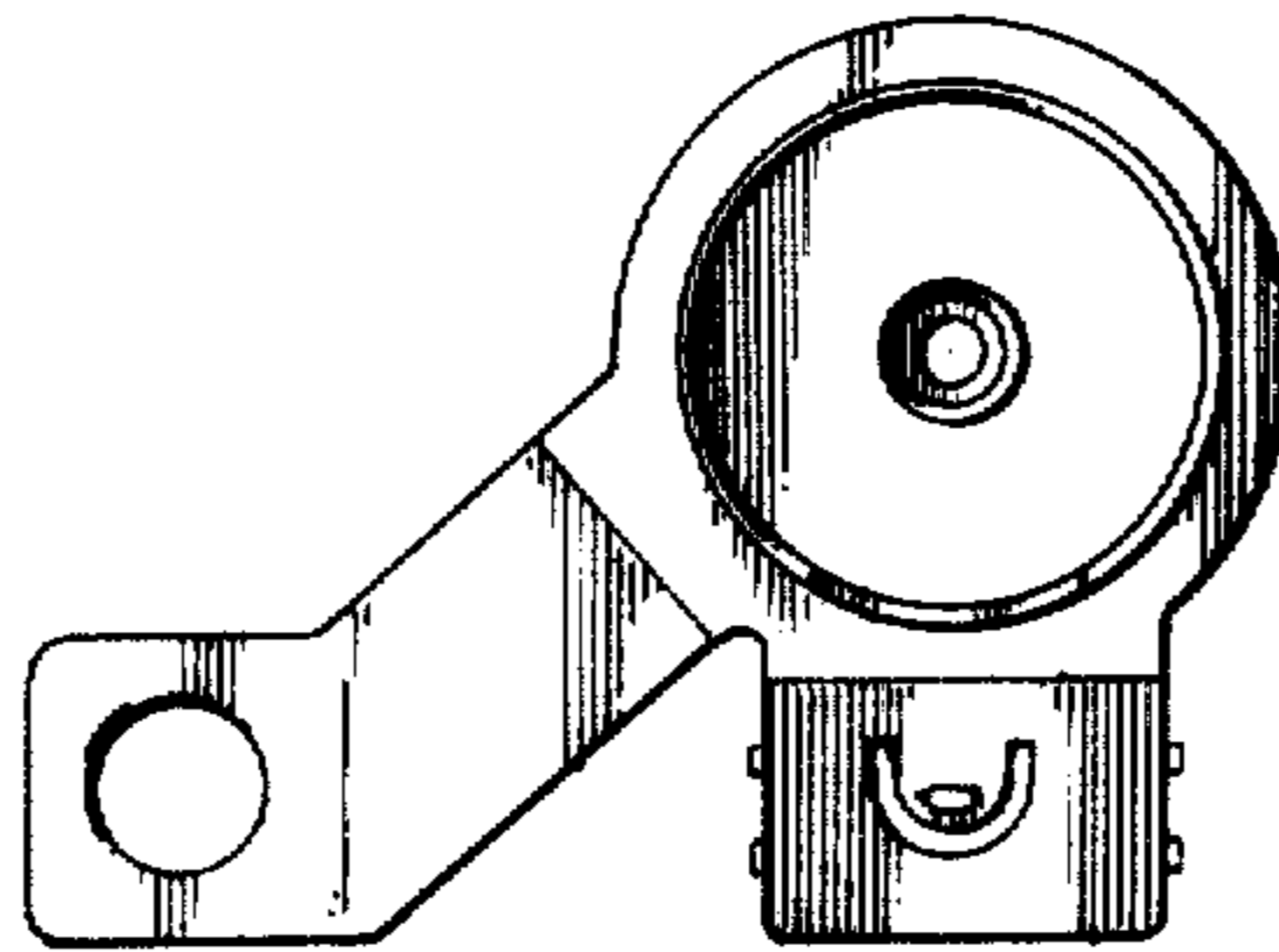


FIG. 1

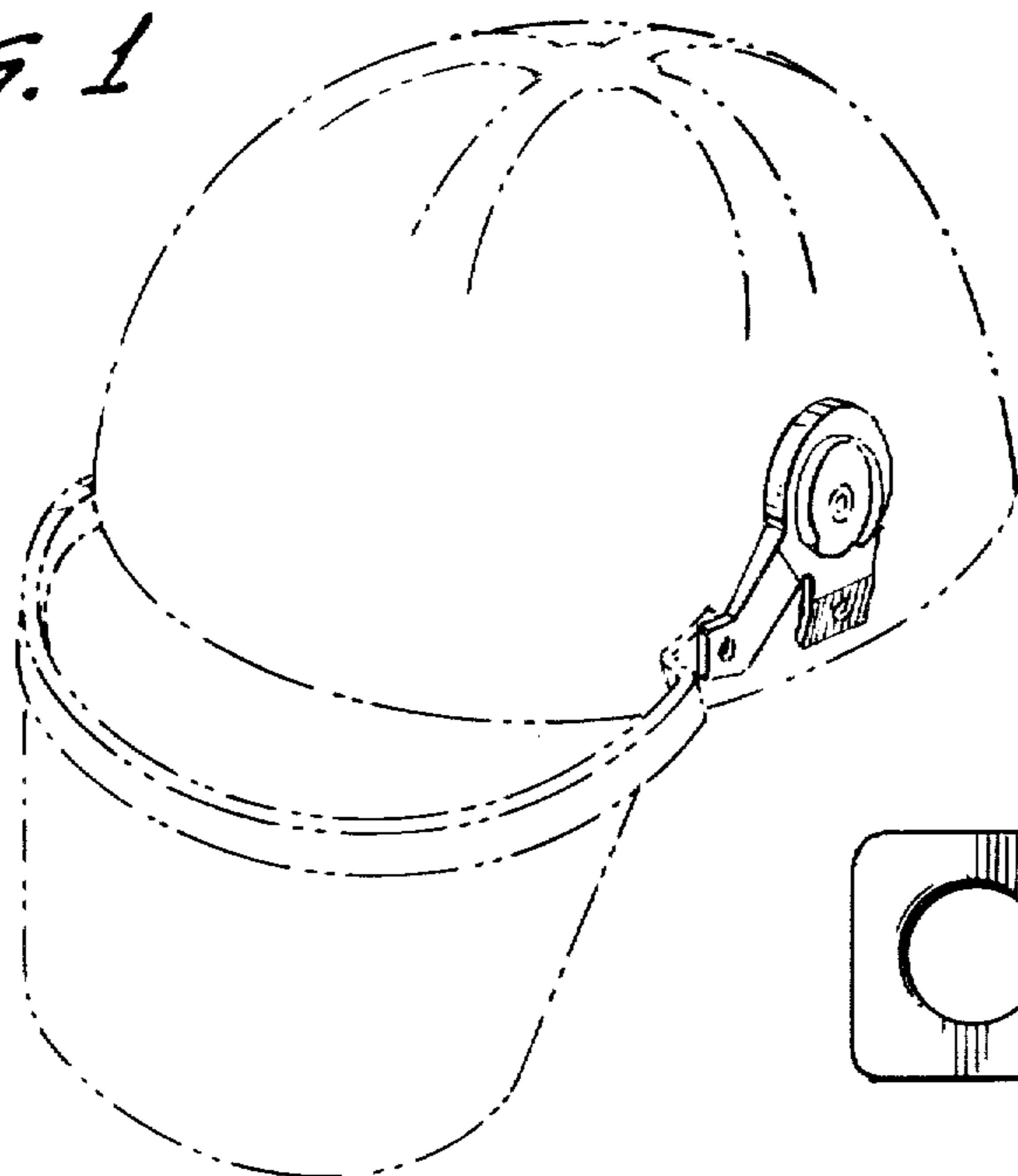


FIG. 2

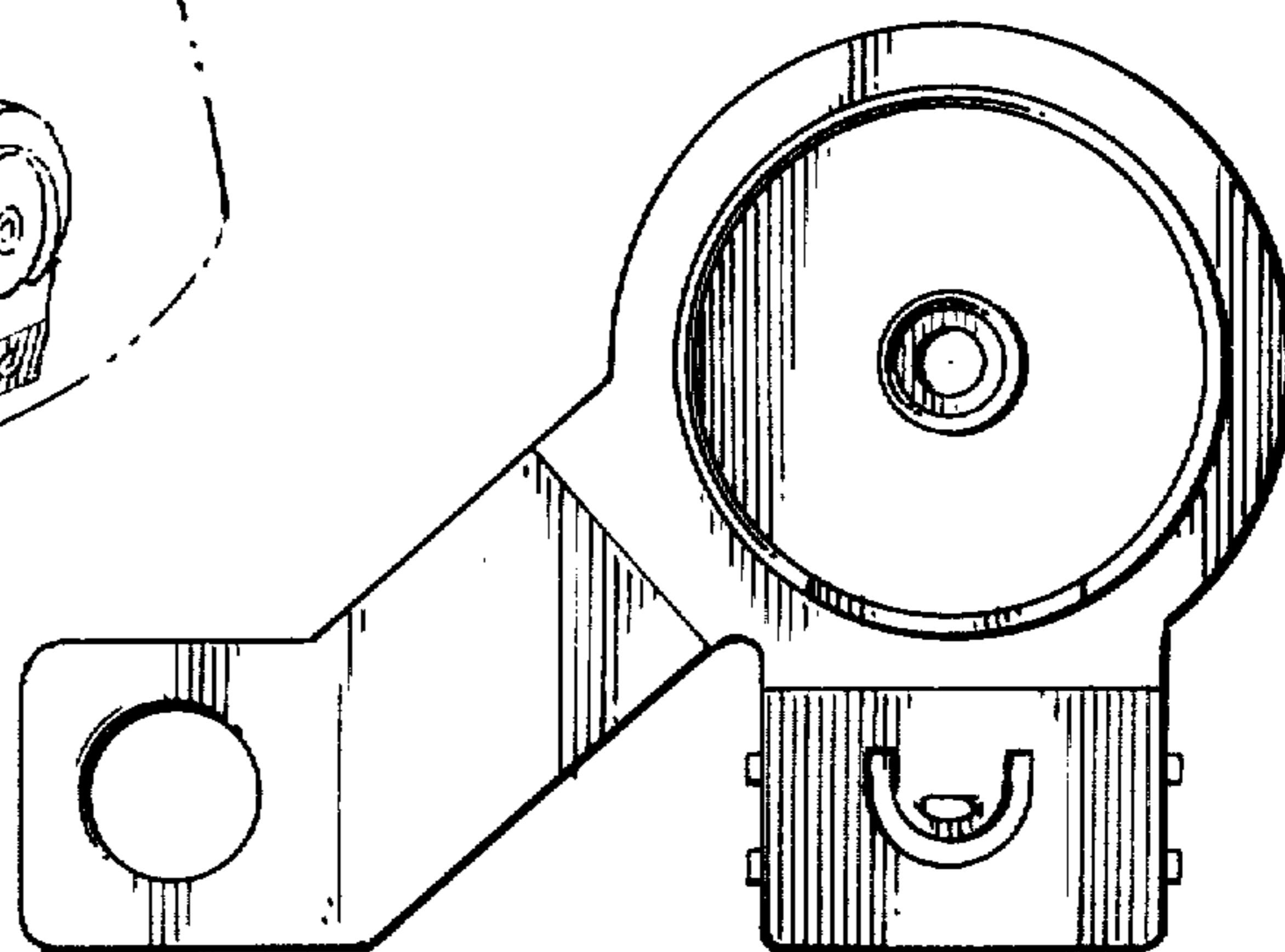


FIG. 3

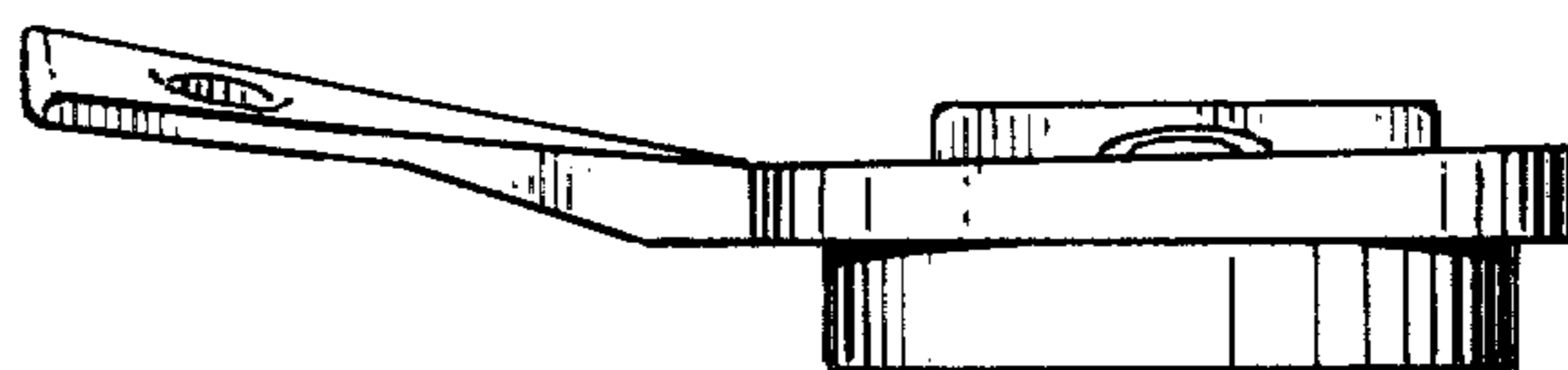


FIG. 6

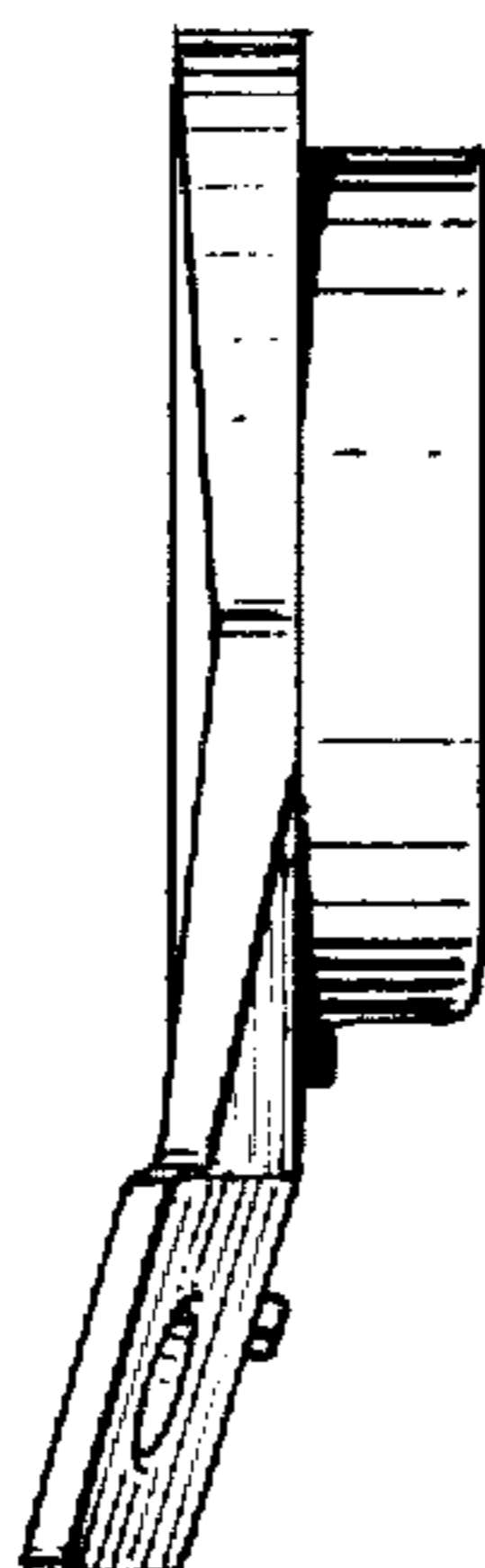


FIG. 4

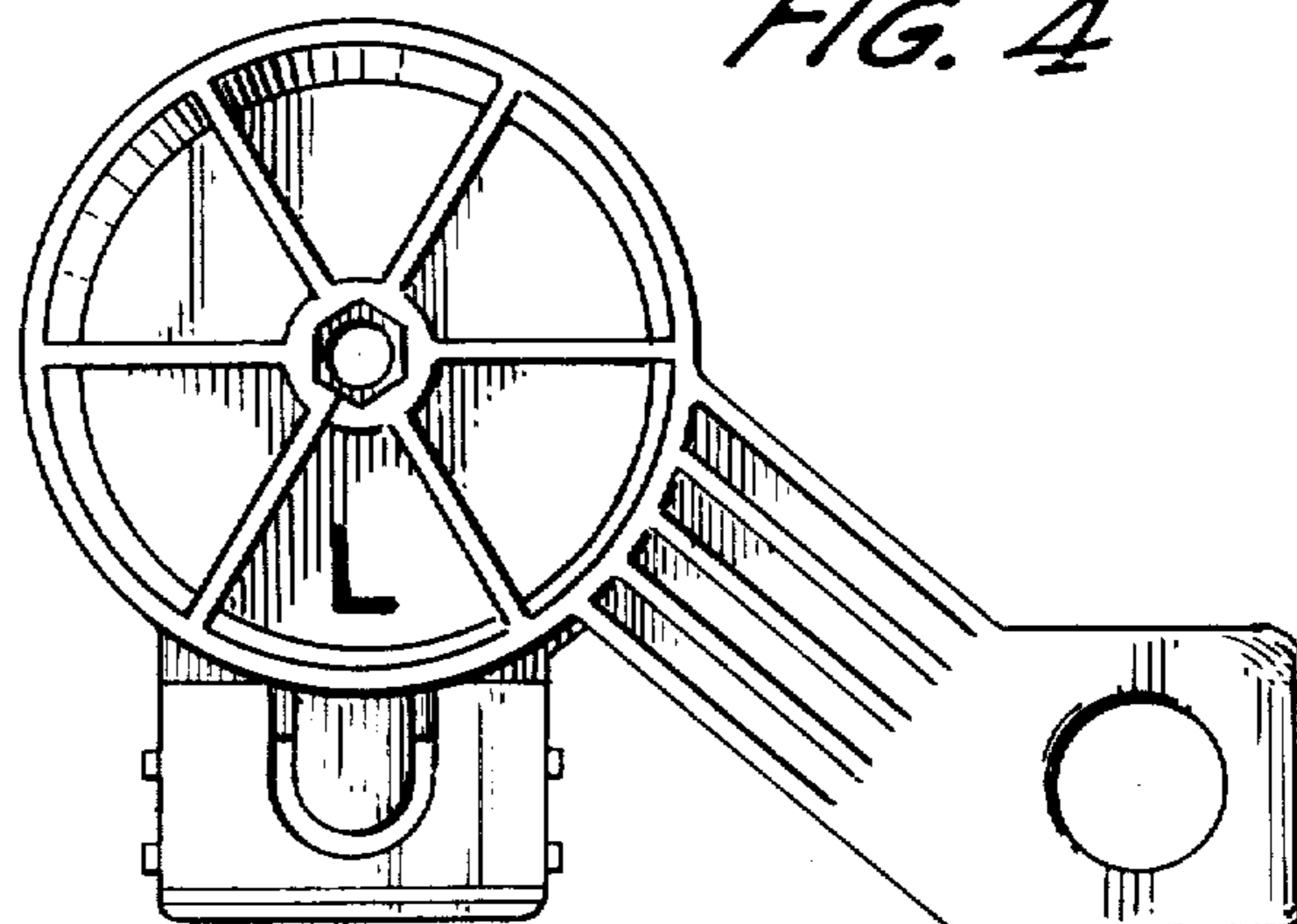


FIG. 5

