

[54] SURFACE CLEANING NOZZLE

[75] Inventor: Fred E. Pearman, Jr., Anderson, S.C.

[73] Assignee: The Singer Company, Stamford, Conn.

[**] Term: 14 Years

[21] Appl. No.: 146,732

[22] Filed: May 2, 1980

[51] Int. Cl. D15-05

[52] U.S. Cl. D32/33

[58] Field of Search D32/31-34; 15/321, 322

4,075,733 2/1978 Parise et al. 15/322

4,083,077 4/1978 Knight et al. 15/322 X

4,123,818 11/1978 Hurwitz 15/321

4,159,554 7/1979 Knight et al. 15/321

4,194,262 3/1980 Finley et al. 15/321 X

Primary Examiner—James R. Largen
 Attorney, Agent, or Firm—James M. Trygg; Robert E. Smith; Edward L. Bell

[57] CLAIM

The ornamental design for a surface cleaning nozzle, substantially as shown and described.

DESCRIPTION

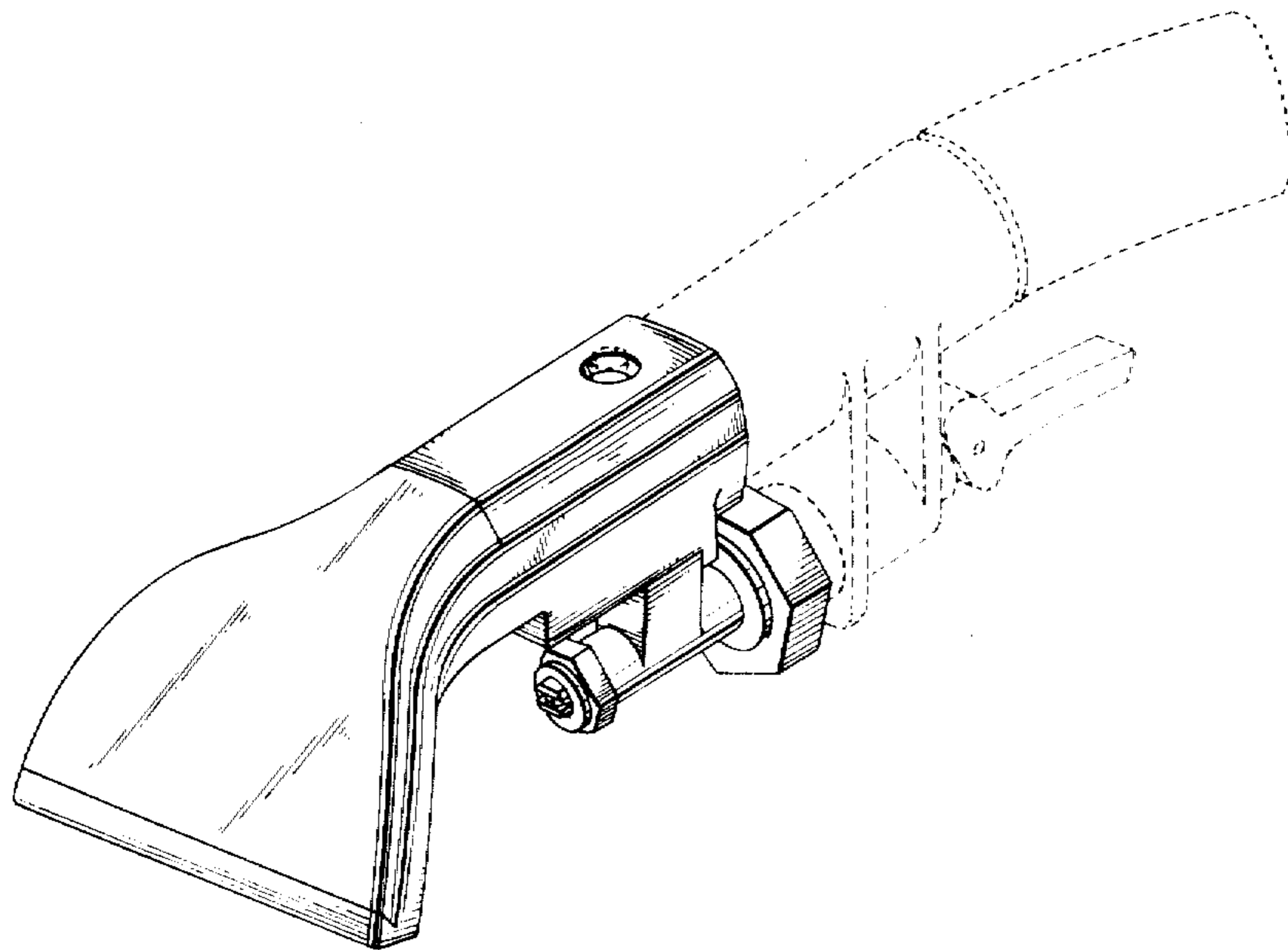
FIG. 1 is a front perspective view of the surface cleaning nozzle showing the new design; FIG. 2 is a rear elevational view thereof; FIG. 3 is a top plan view thereof; FIG. 4 is a right side elevational view thereof; FIG. 5 is a front elevational view thereof; and FIG. 6 is a bottom plan view thereof.

The fragmentary broken line representation of a vacuum hose and a cleaning fluid coupling in FIG. 1 is for purposes of illustration only.

[56] References Cited

U.S. PATENT DOCUMENTS

D. 242,211	11/1976	Parise	D32/32
D. 242,212	11/1976	Parise	D32/32
3,262,146	7/1966	Hays	15/321
3,562,844	2/1971	Thompson et al.	15/321 X
3,896,521	7/1975	Parise	15/321
3,962,745	6/1976	Collier	15/322



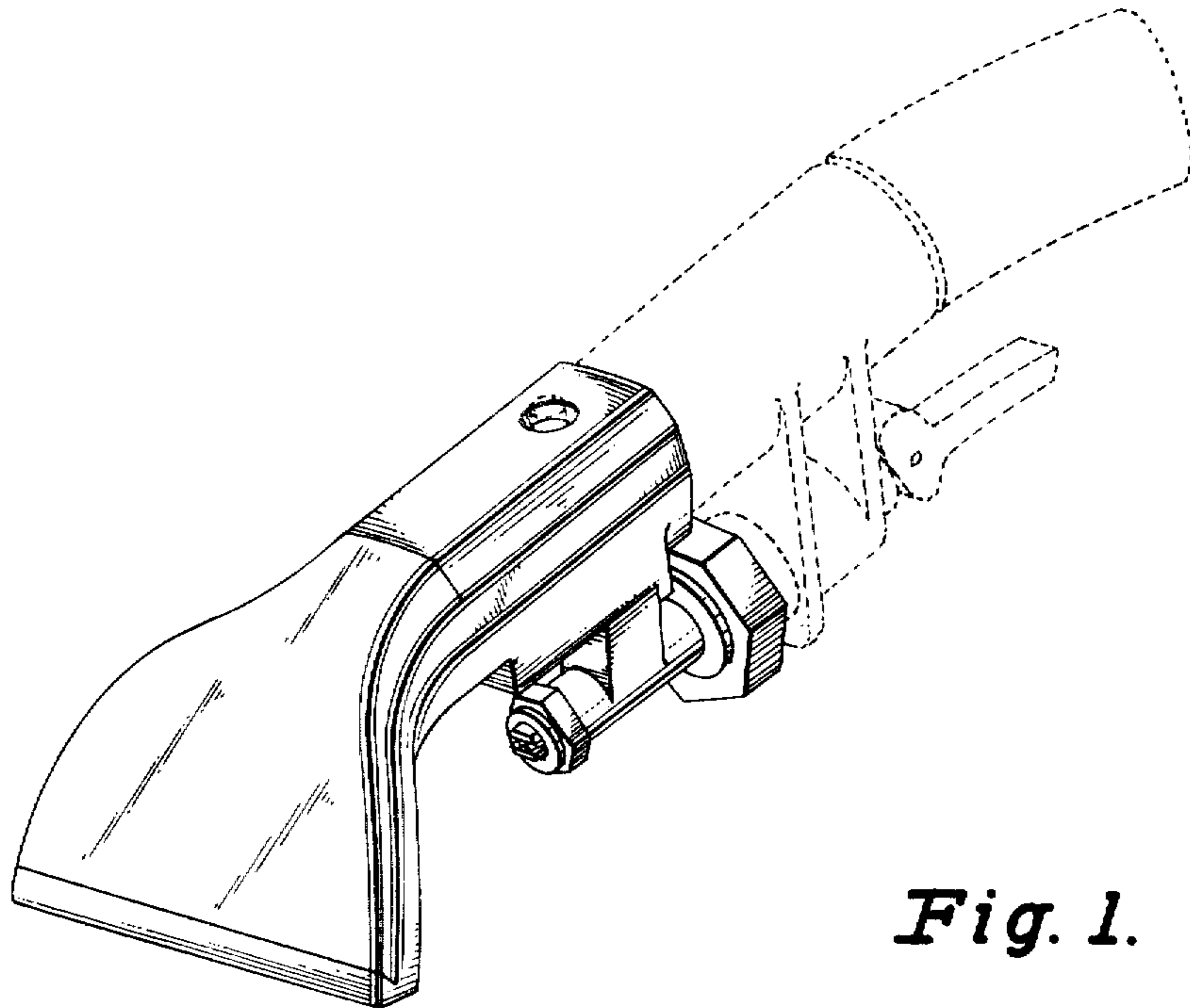


Fig. 1.

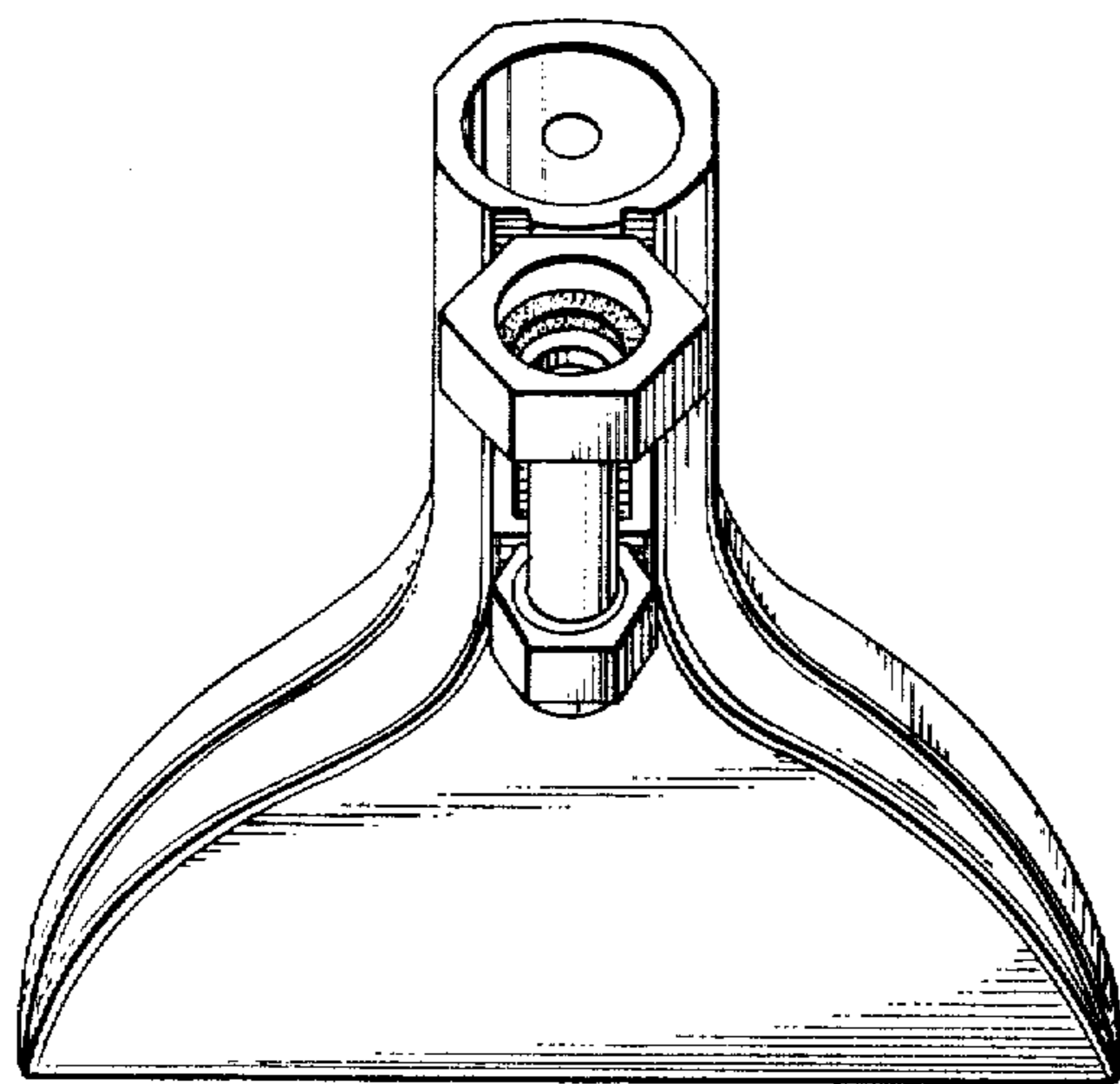


Fig. 2.

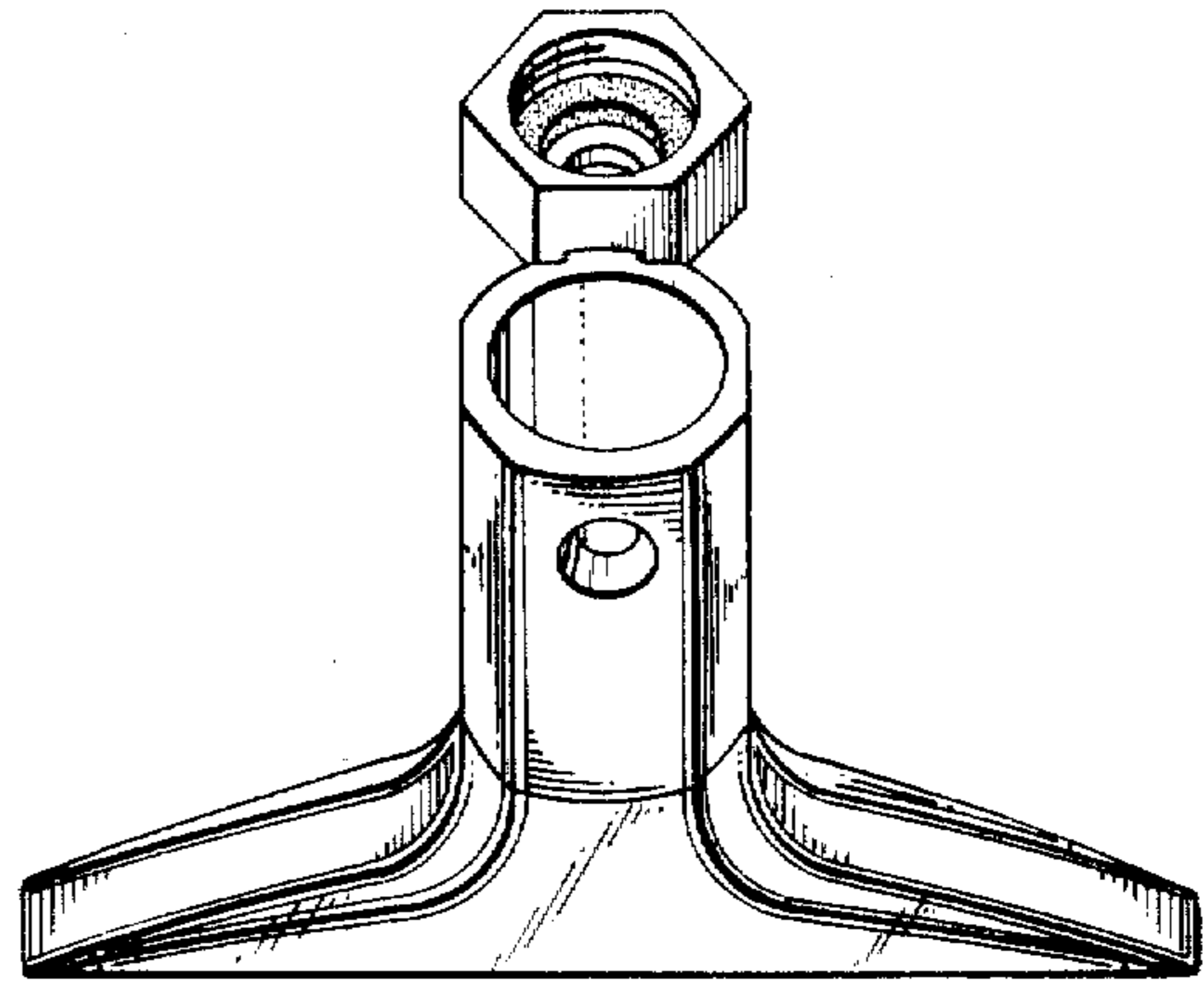


Fig. 3.

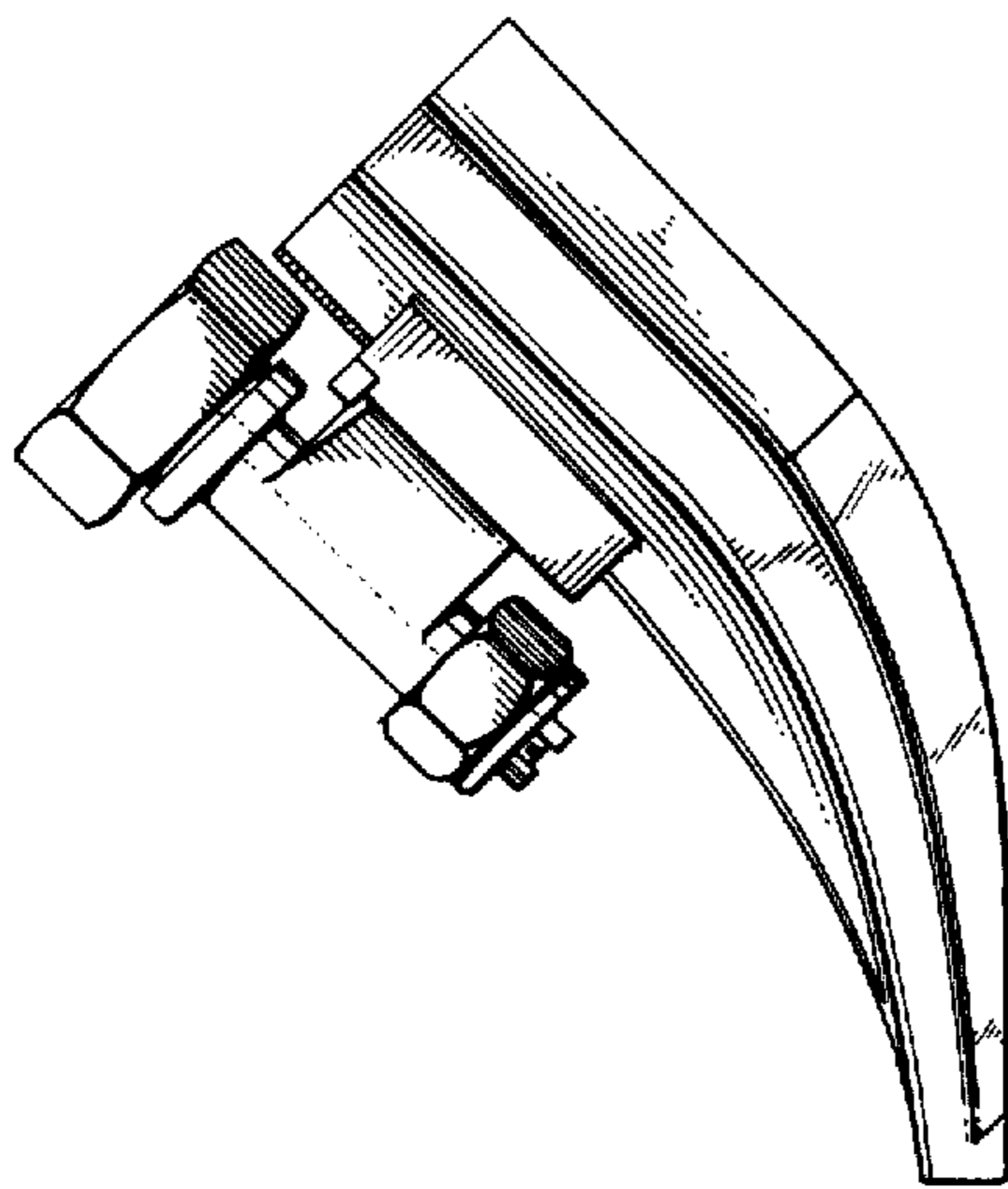


Fig. 4.

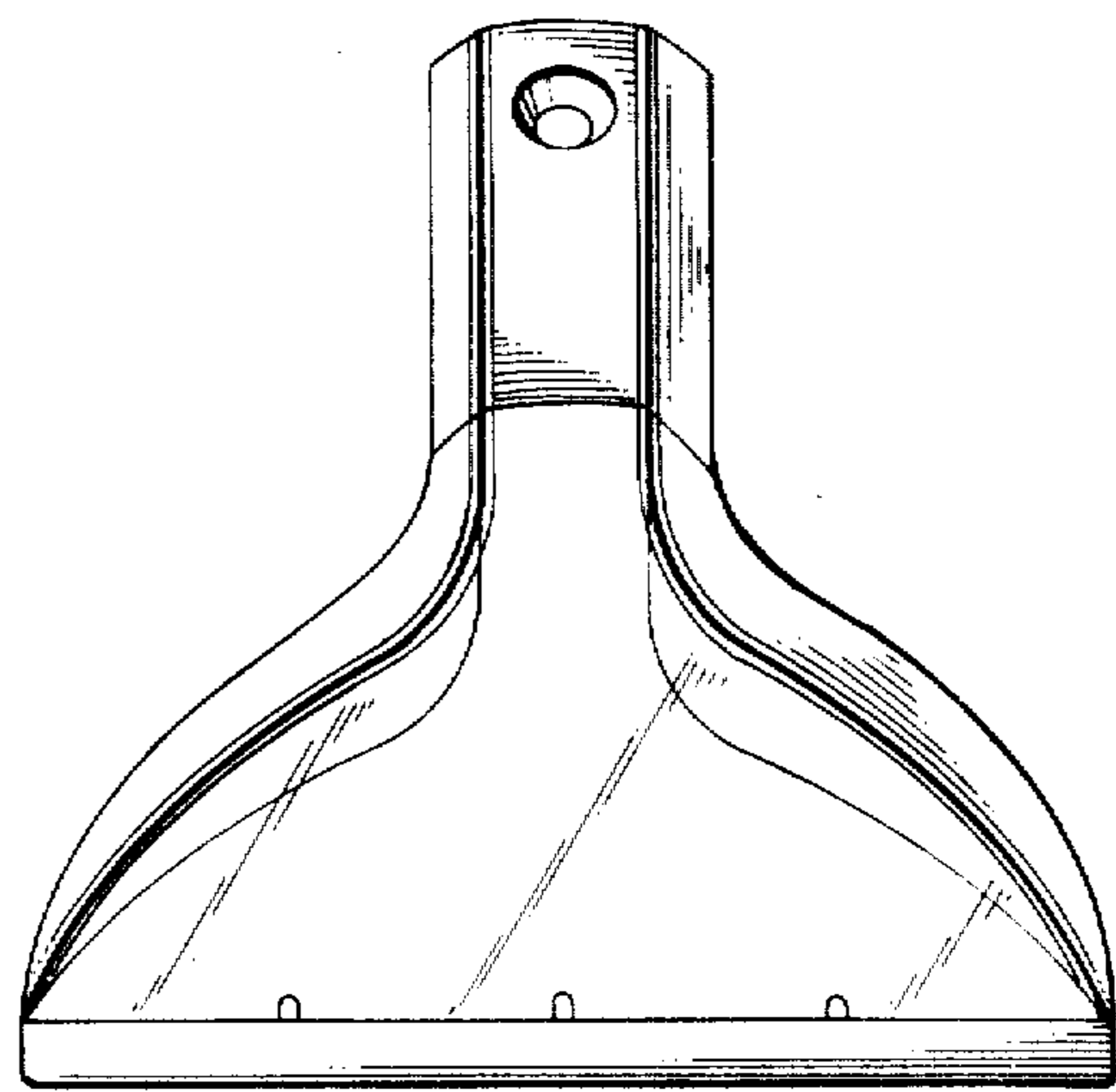


Fig. 5.

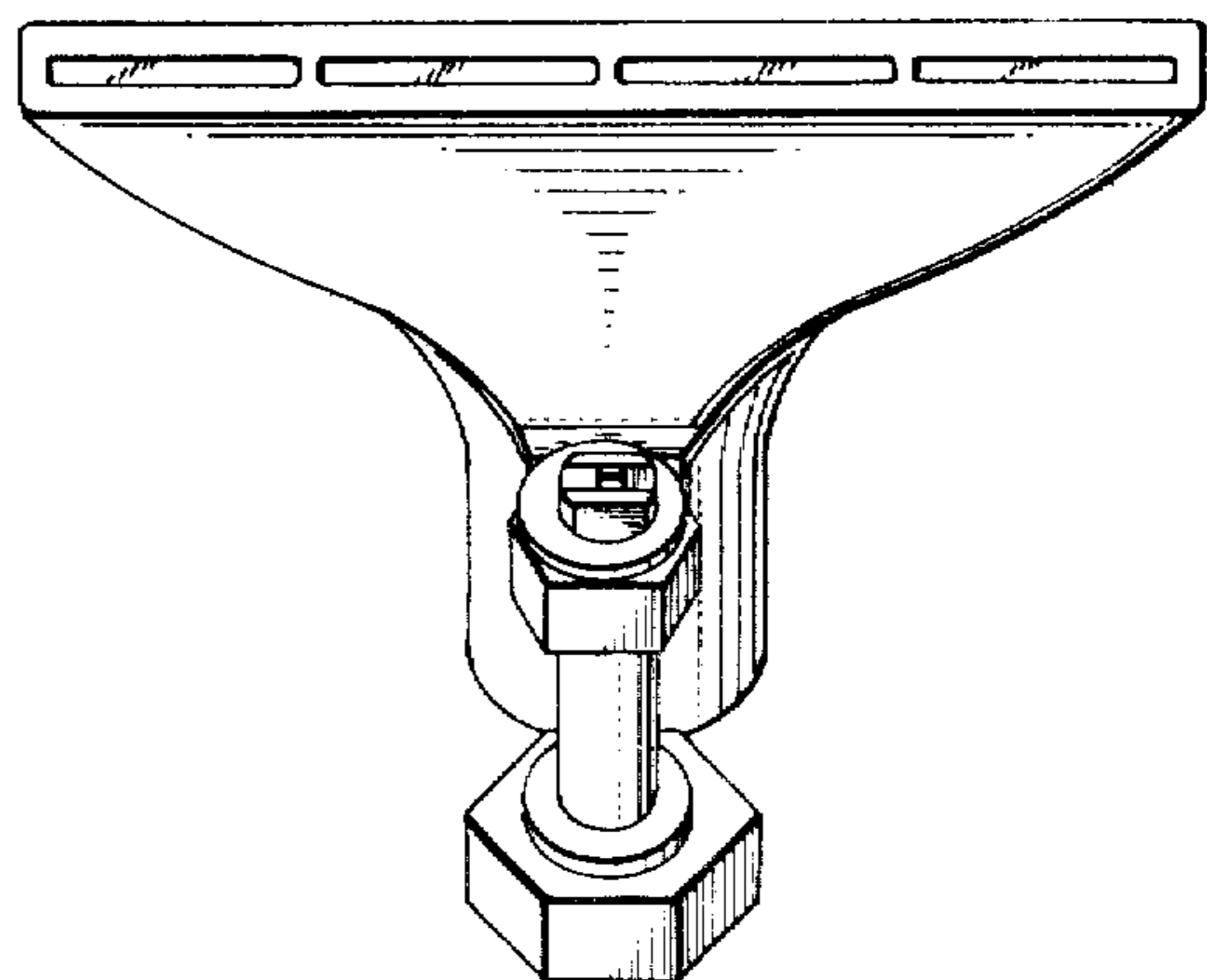


Fig. 6.