

[54] **CURLER**

[75] **Inventor:** Harry Sundin, Karlshamn, Sweden

[73] **Assignee:** AB Karlshamns Plastindustri,
Karlshamn, Sweden

[**] **Term:** 14 Years

[21] **Appl. No.:** 950,870

[22] **Filed:** Oct. 12, 1978

[30] **Foreign Application Priority Data**

Apr. 20, 1978 [SE] Sweden 781105

[51] **Int. Cl.** D28—03

[52] **U.S. Cl.** D28/37; D28/35

[58] **Field of Search** D28/35, 37; 132/31 R,
132/38 R, 38 A, 39, 40, 41 B, 41 C, 42 R, 42 A

[56]

References Cited

U.S. PATENT DOCUMENTS

4,215,710 8/1980 Sundin 132/40

FOREIGN PATENT DOCUMENTS

391447 2/1977 Sweden .

Primary Examiner—Donald B. Moyer
Attorney, Agent, or Firm—Brumbaugh, Graves,
Donohue & Raymond

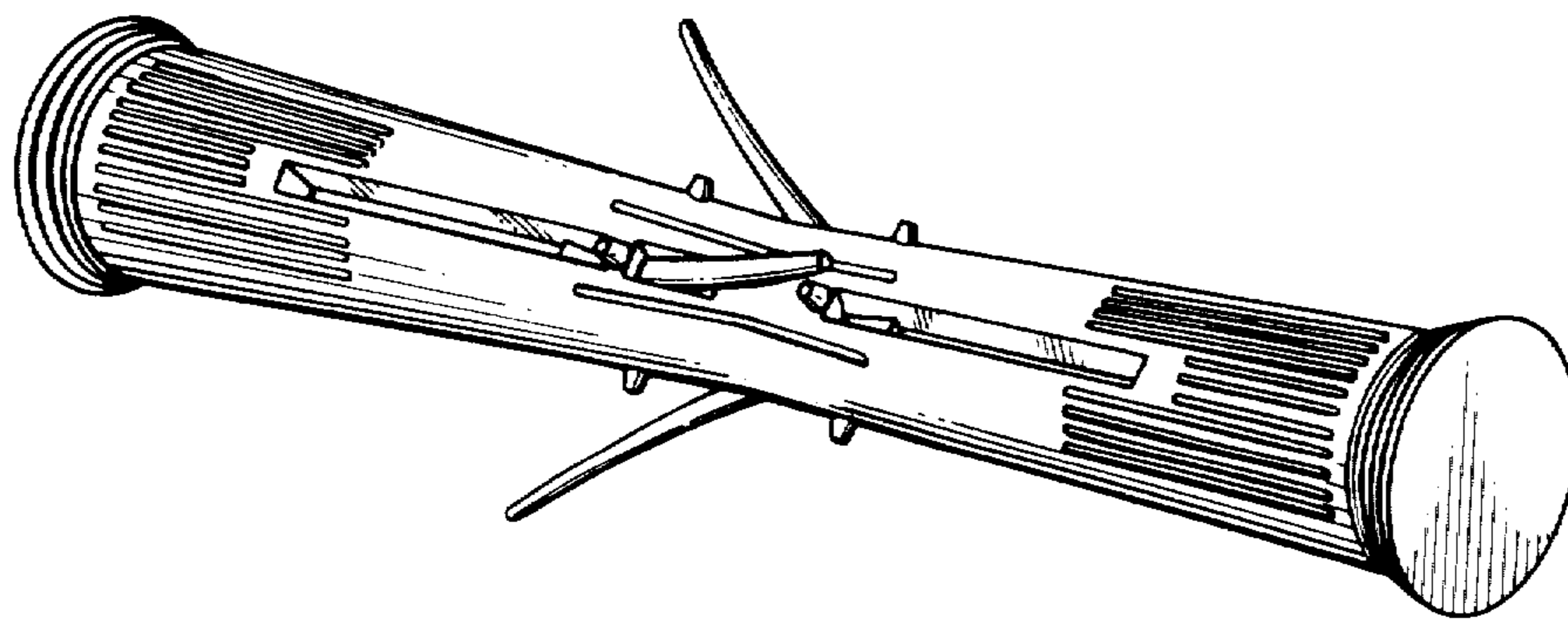
[57]

CLAIM

The ornamental design for a curler, as shown and described.

DESCRIPTION

FIG. 1 is a perspective view of a "curler" in the closed position showing my new design; and FIG. 2 is a perspective view of the "curler" in FIG. 1 in the open position.



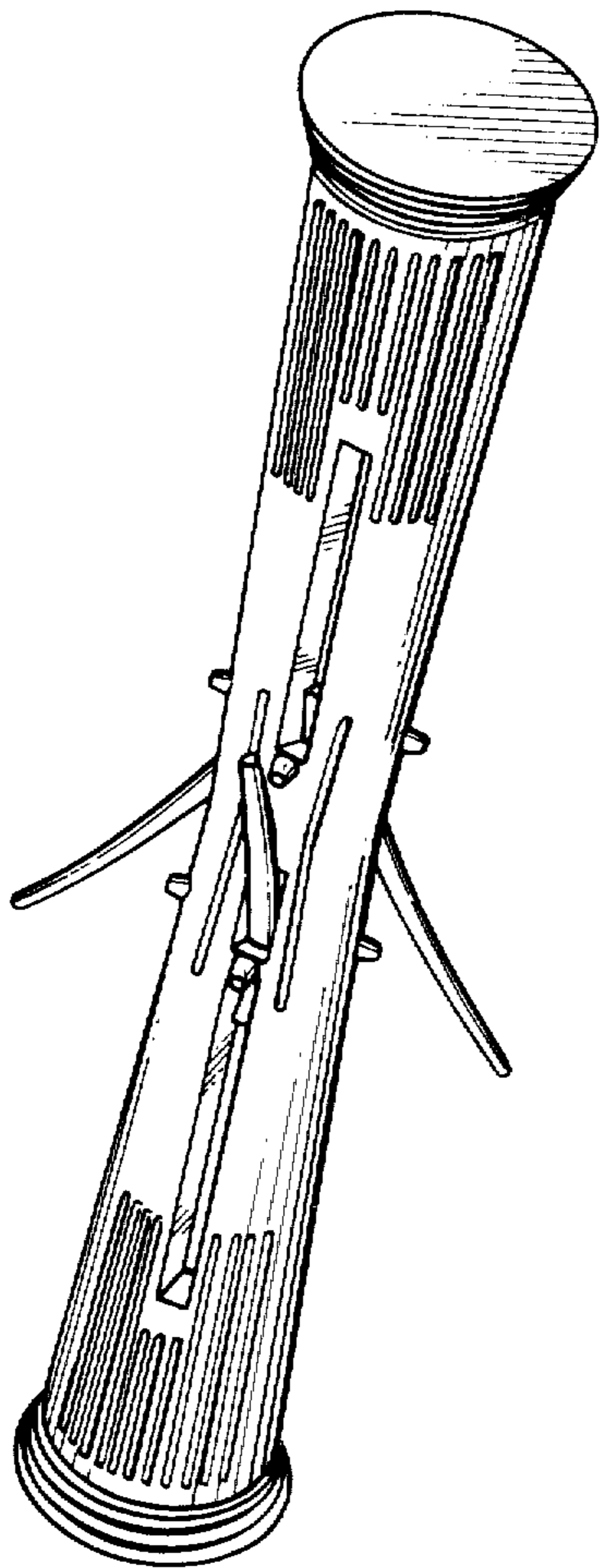


FIG. 1

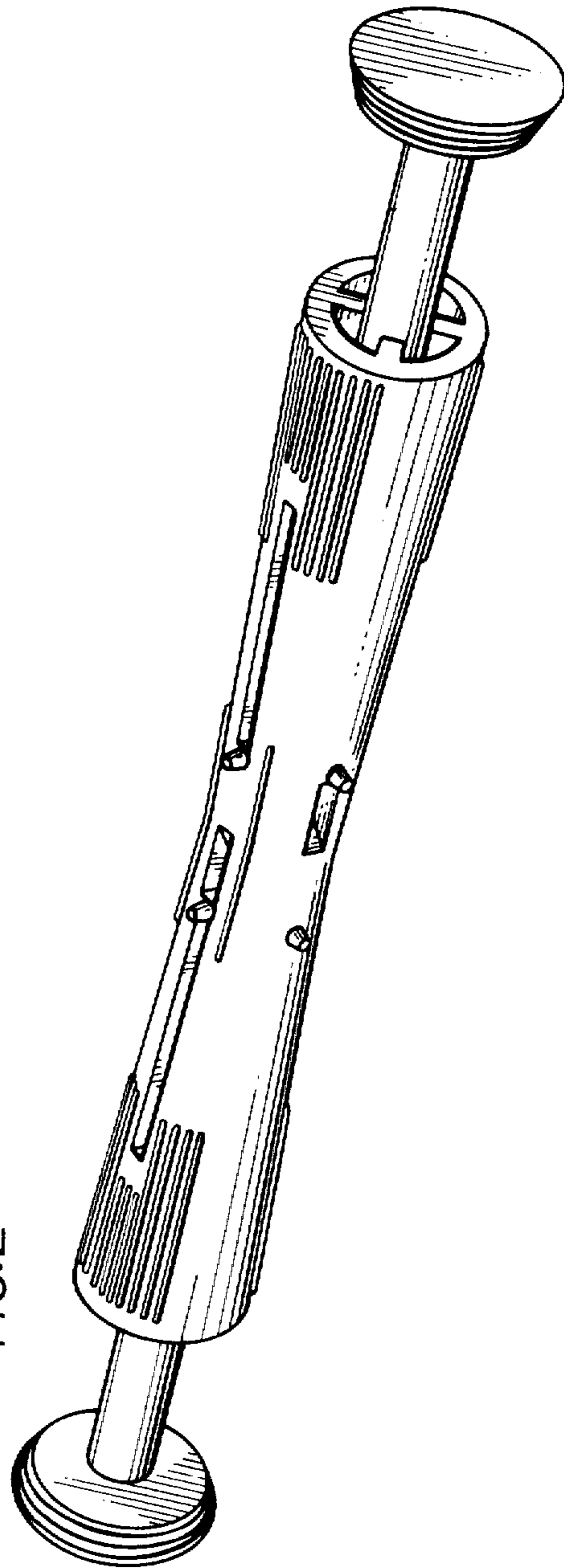


FIG. 2