

[54] LUMINAIRE  
 [75] Inventors: Alexander Zwillich; Dennis E. Bedel,  
 both of Pittsburgh, Pa.  
 [73] Assignee: Westinghouse Electric Corp.,  
 Pittsburgh, Pa.  
 [\*\*] Term: 14 Years  
 [21] Appl. No.: 80,975  
 [22] Filed: Oct. 2, 1979

[51] Int. Cl. .... D26—03  
 [52] U.S. Cl. .... D26/71  
 [58] Field of Search ..... D26/24, 67, 68, 69,  
 D26/71; 362/297, 310, 311, 309, 308, 362, 431

[56] **References Cited**  
 U.S. PATENT DOCUMENTS

- D. 170,877 11/1953 Loehr .
- D. 184,314 1/1959 Husby et al. .... D26/71
- D. 187,750 4/1960 Husby et al. .
- D. 191,129 8/1951 Rodriguez et al. .
- D. 192,041 1/1962 Izzi ..... D26/71
- D. 201,909 8/1965 Harling .
- D. 202,212 9/1965 Izzi .

- D. 203,065 11/1965 Izzi et al. .
- D. 203,217 12/1965 Greenhaw .
- D. 206,240 11/1966 Rutter .
- D. 220,778 5/1971 Jablonski et al. .... D26/71
- D. 228,361 9/1973 Burns et al. .
- D. 239,047 3/1976 Asaki ..... D26/71 X
- D. 239,861 5/1976 Van Steenhoven .
- 3,204,092 8/1965 Jablonski ..... 362/308 X

OTHER PUBLICATIONS

American City, 9/1966, p. 138—Luminaire, Exterior Lamp Pub. Box.

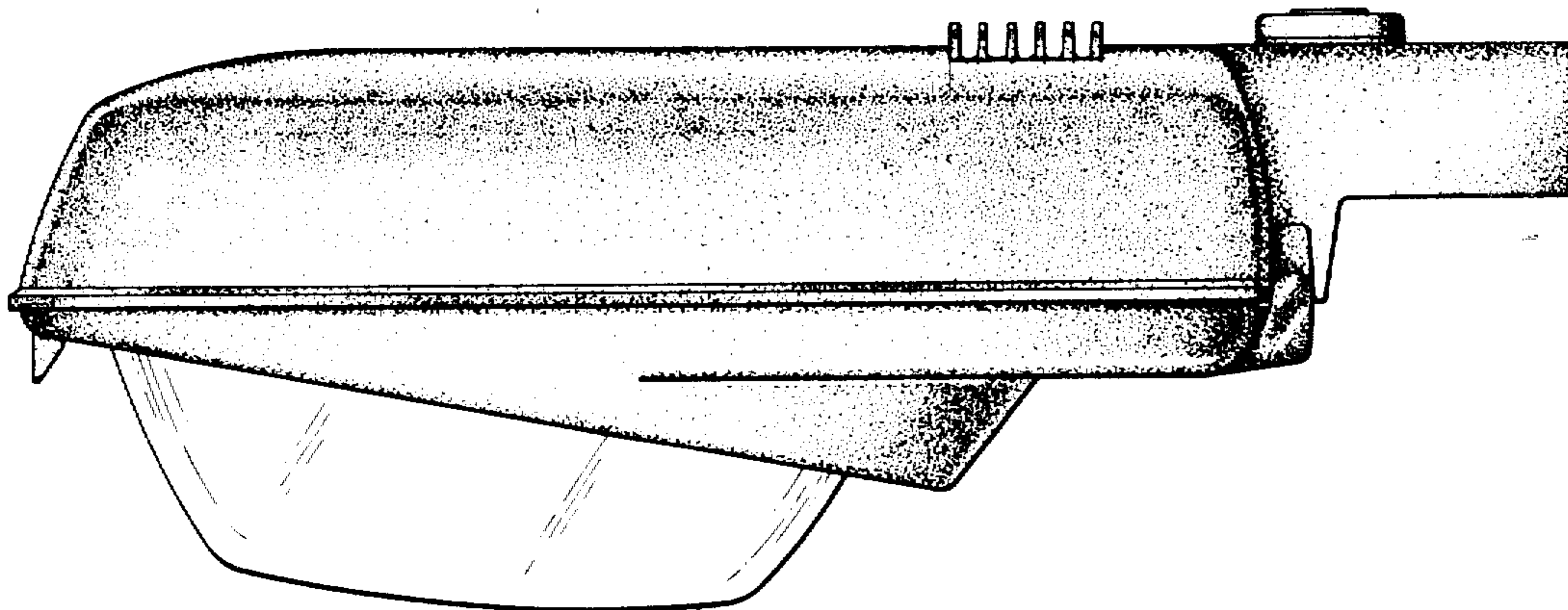
Primary Examiner—Susan J. Lucas  
Attorney, Agent, or Firm—B. R. Studebaker

[57] CLAIM

The ornamental design for a luminaire, as shown and described.

DESCRIPTION

FIG. 1 is a side elevational view of a luminaire illustrating our new design;  
 FIG. 2 is a top plan view thereof;  
 FIG. 3 is a bottom plan view thereof;  
 FIG. 4 is a front elevational view thereof; and  
 FIG. 5 is a rear elevational view thereof.



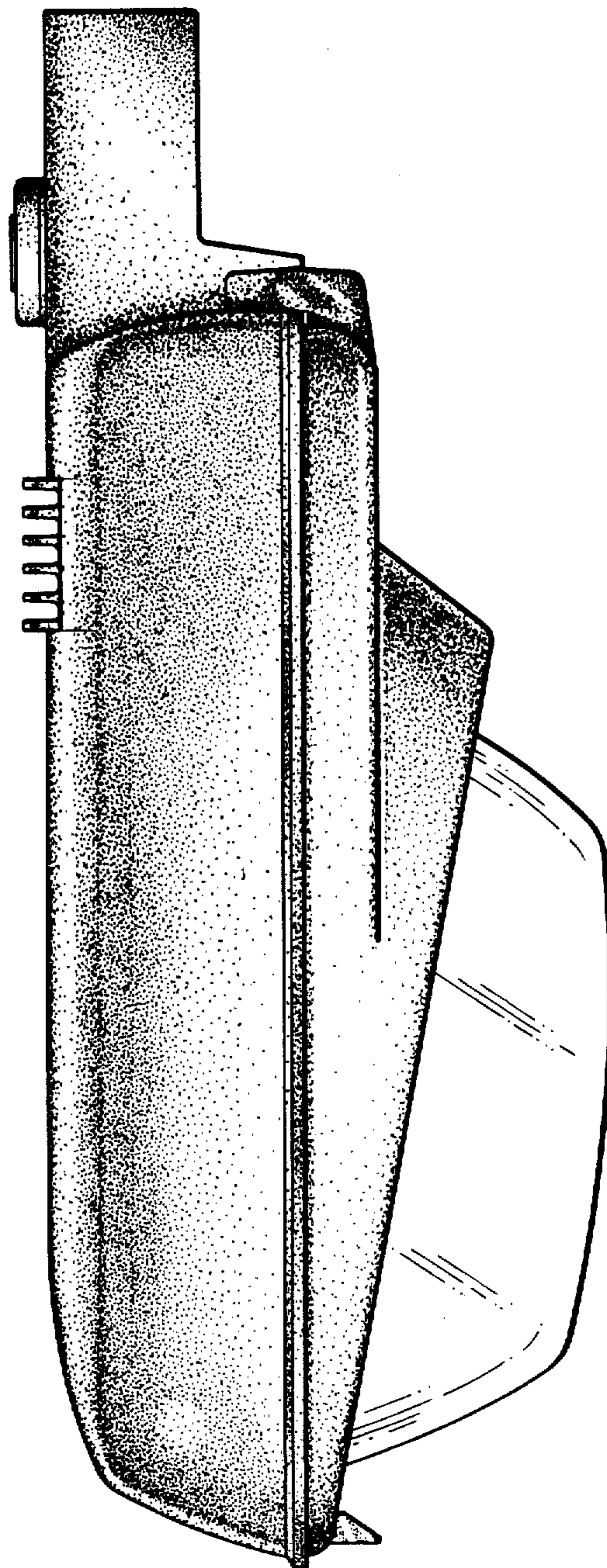


FIG. 1

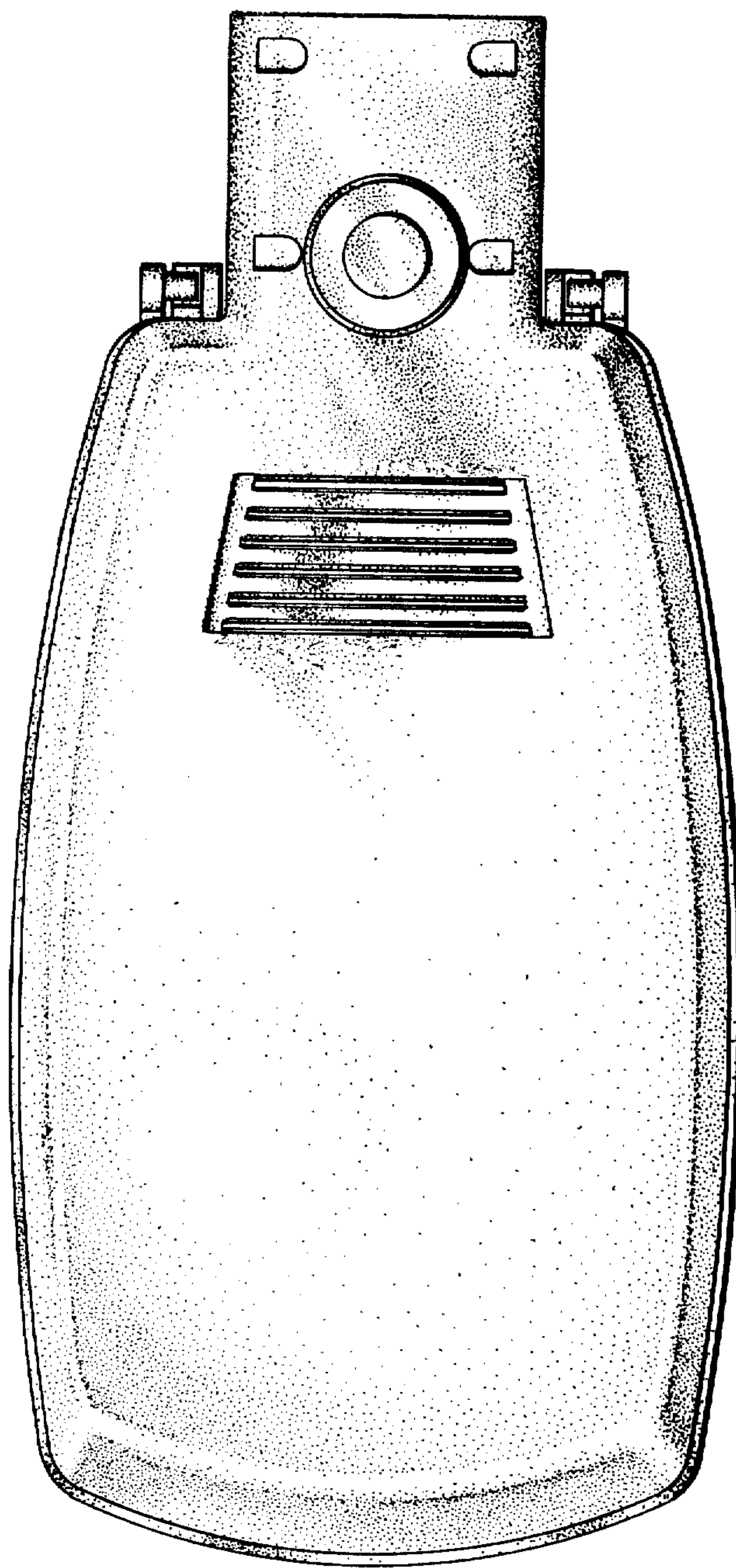


FIG. 2

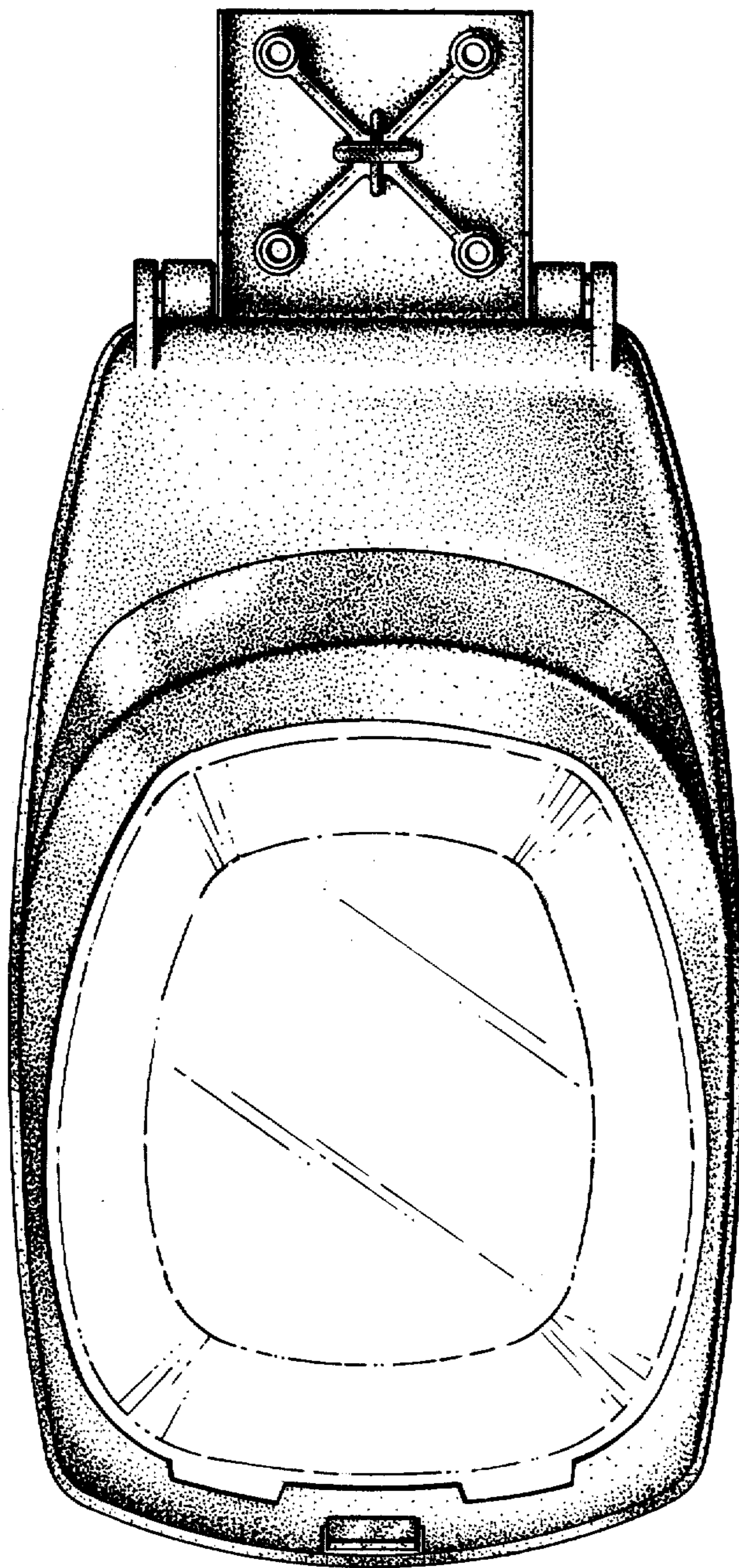


FIG. 3

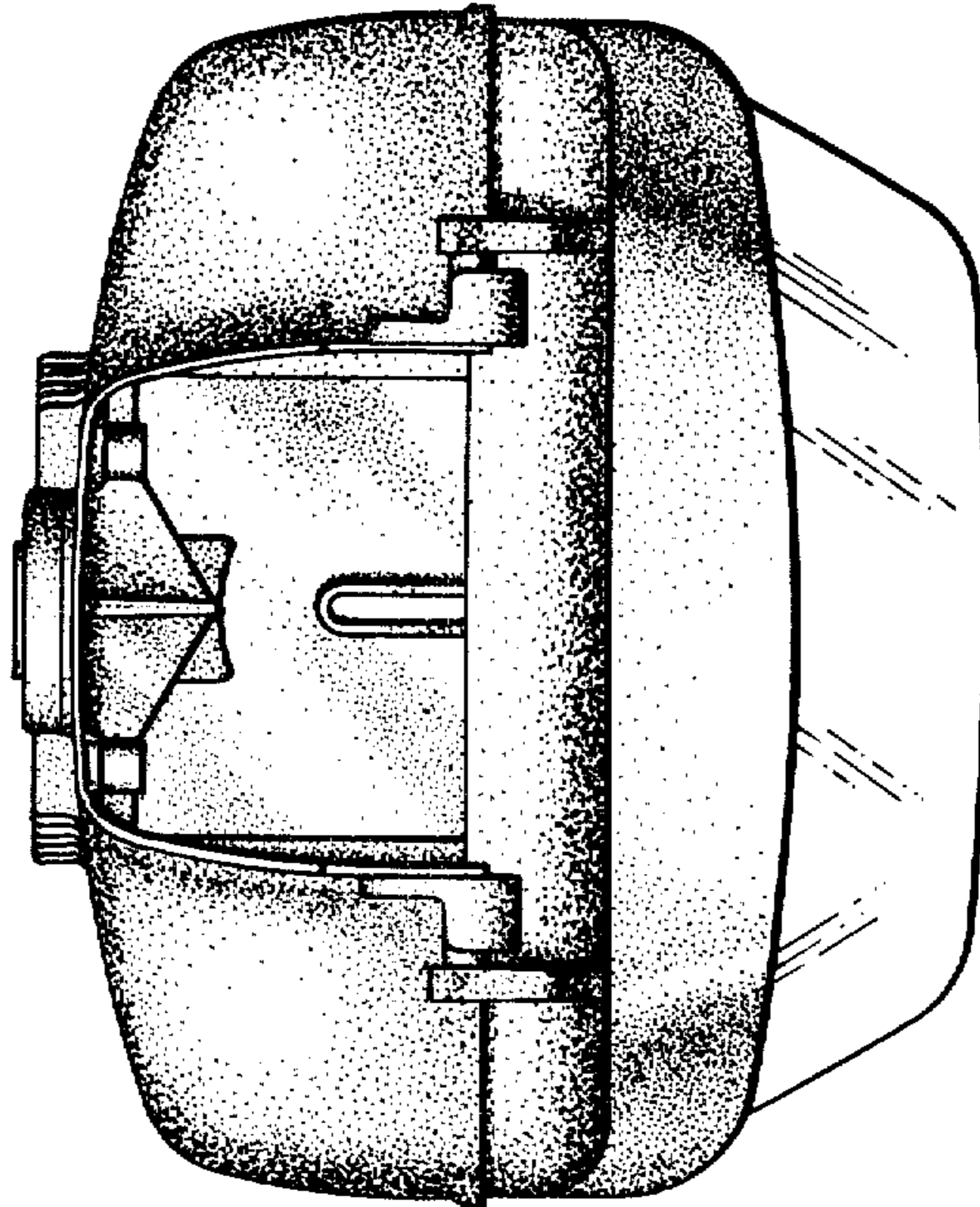


FIG. 5

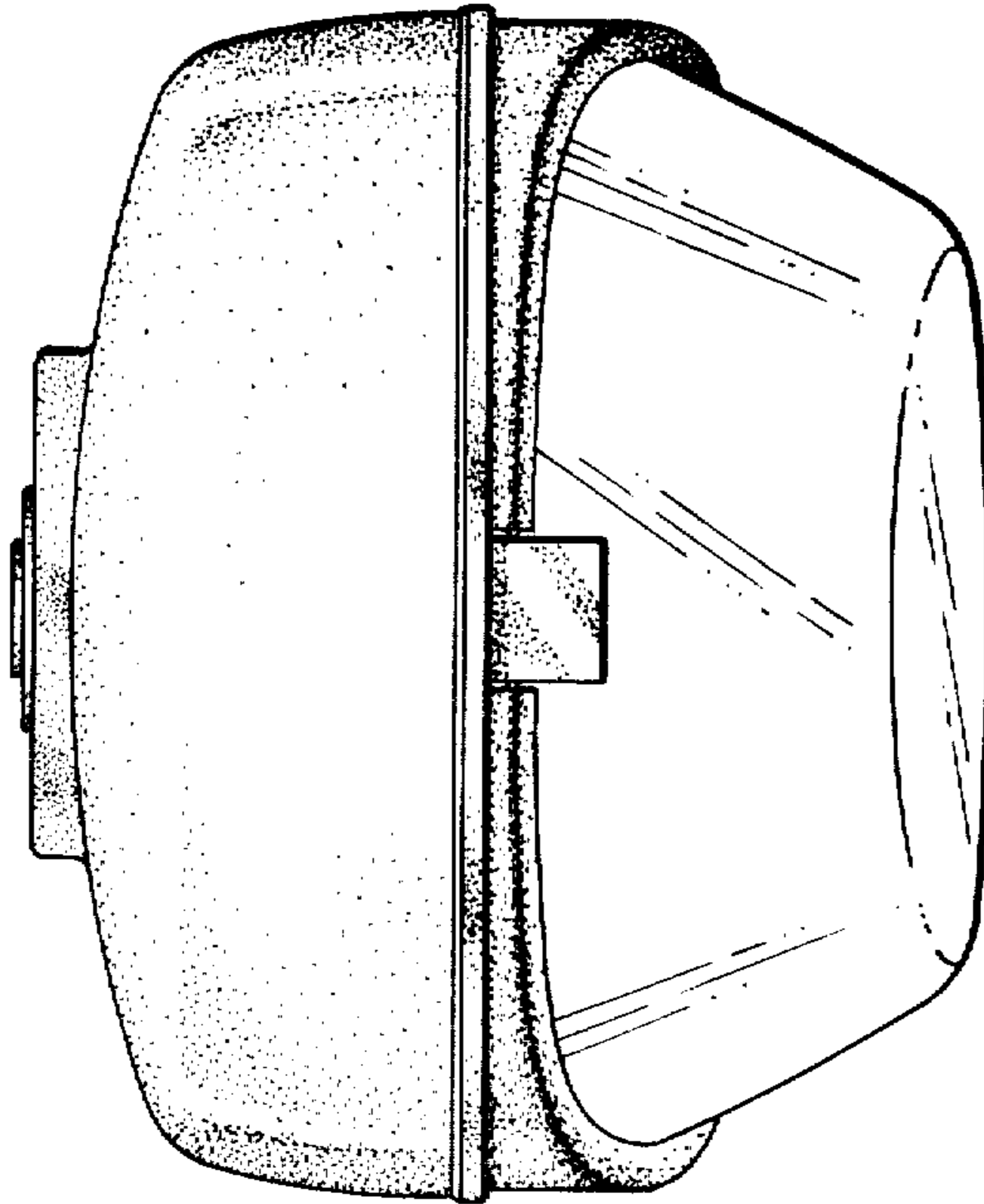


FIG. 4